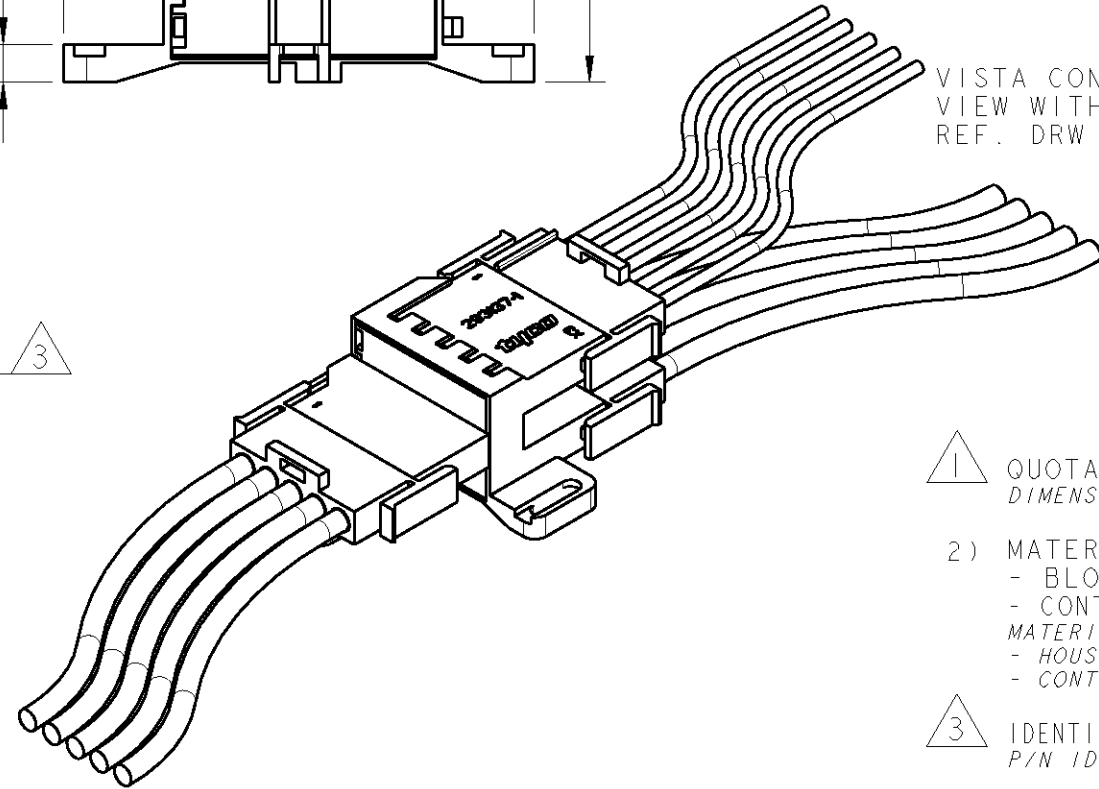
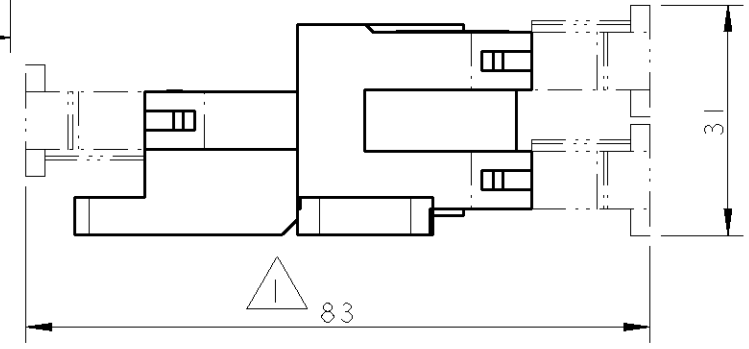
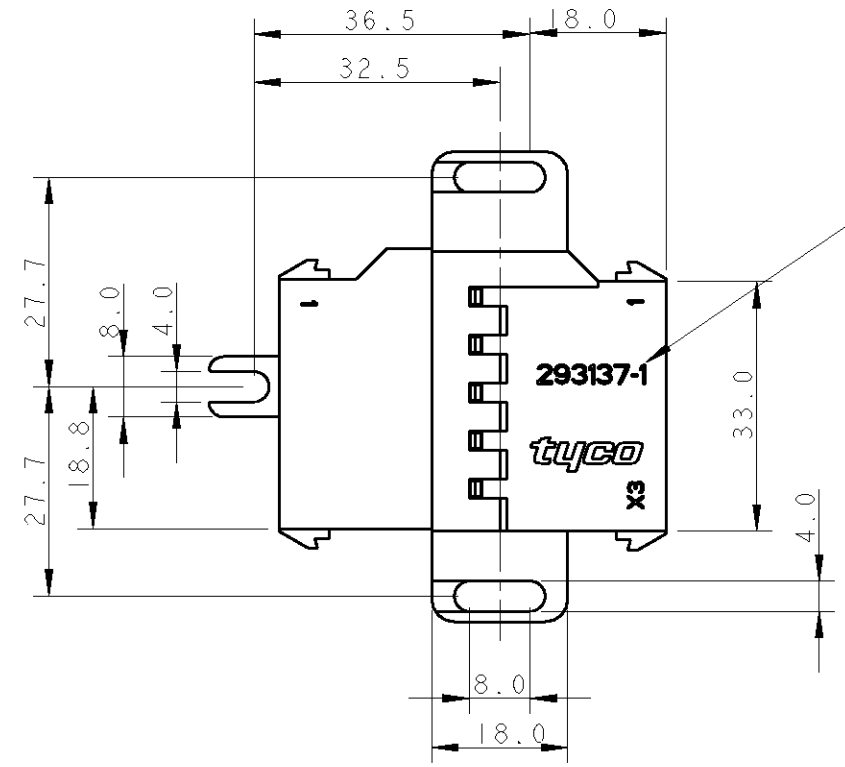
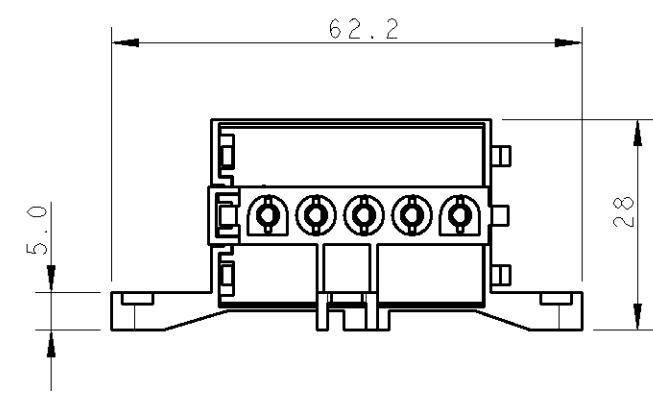
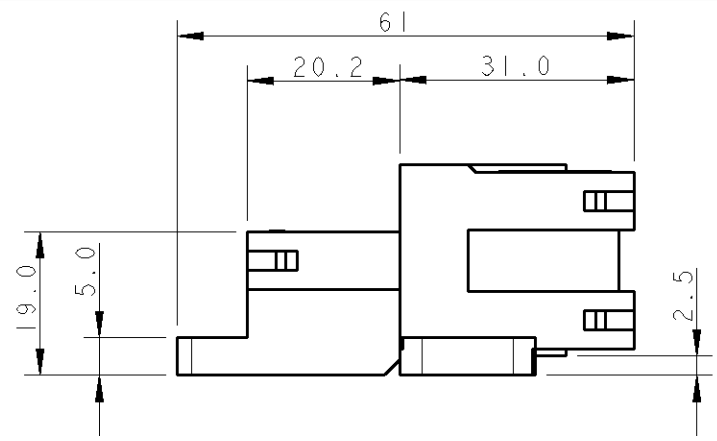
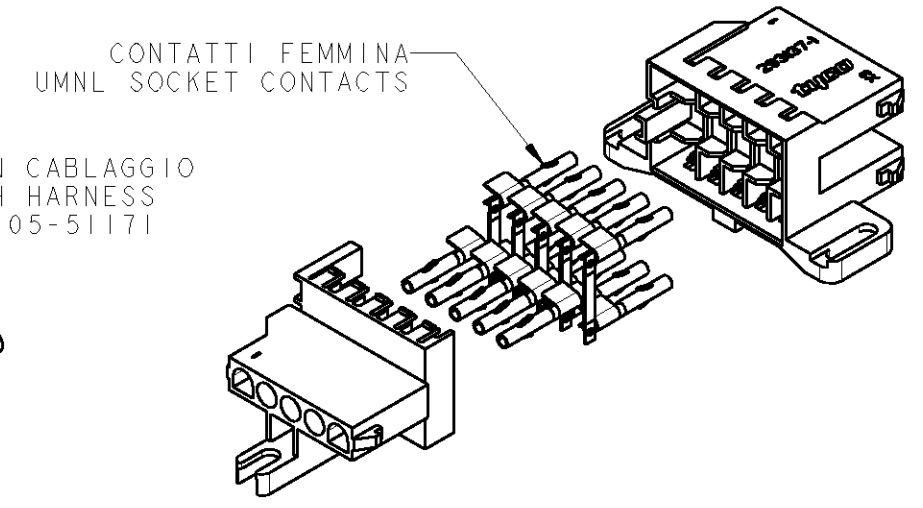


THIS DRAWING IS UNPUBLISHED. RELEASED FOR PUBLICATION 2003
 © COPYRIGHT 2003 BY TYCO ELECTRONICS CORPORATION. ALL RIGHTS RESERVED.

LOC	DIST	REVISIONS					
		P	LTR	DESCRIPTION	DATE	DWN	APVD
1	-	0		FIRST ISSUE -SUPERSEDES 05-51107 REV. E	28OCT2005	AV	GT
		A		REVISED	08NOV2005	AV	GT
		A3		RELEASE FOR PRODUCTION	13OCT2006	AV	GT



VISTA CON CABLAGGIO
 VIEW WITH HARNESS
 REF. DRW 05-51171

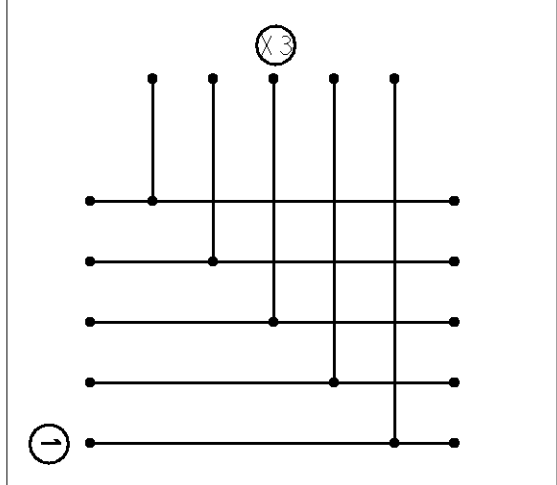


CONTATTI FEMMINA
 UMNL SOCKET CONTACTS

DERIVAZIONE
 DERIVATION

- 1) QUOTA CON CONNETTORI DEL CABLAGGIO SENZA SERRACAVI
 DIMENSION WITH HARNESS CONNECTORS WITHOUT STRAIN RELIEF
- 2) MATERIALI:
 - BLOCCHETTO IN PA66 UL94-V0
 - CONTATTI IN LEGA DI RAME DORATA NELLA ZONA DI ACCOPPIAMENTO
 MATERIALS:
 - HOUSING PA66 UL94-V0
 - CONTACTS COPPER ALLOY GOLD PLATED ON MATING AREA
- 3) IDENTIFICAZIONE CODICE PRODOTTO STAMPATO CON INCHIOSTRO INDELEBILE
 P/N IDENTIFICATION BY INK PRINT
- 4) TENSIONE DI FUNZIONAMENTO MAX 220 V A.C.
 MAXIMUM WORKING VOLTAGE 220 V A.V.
- 5) CORRENTE MASSIMA IN SERVIZIO CONTINUO SU 3 VIE ADIACENTI 12 A, LE RIMANENTI: 5 A
 MAX PERMANENT CURRENT CAPACITY 12 A ON 3 ADJACENT WAYS, OTHERS: 5 A
- 6) CORRENTE MASSIMA PER 3 MINUTI 16,7 A SU 3 VIE ADIACENTI, LE RIMANENTI 5 A.
 MAX CURRENT CAPACITY FOR 3 MINUTES 16,7 A ON 3 ADJACENT WAYS, OTHERS: 5 A
- 7) TEMPERATURE DI FUNZIONAMENTO INCLUSO IL SOVRARISCALDAMENTO DOVUTO AL PASSAGGIO DI CORRENTE -20°C +85°C
 WORKING TEMPERATURES: (INCLUDING THE EFFECT OF FLOWING CURRENT) -20°C + 85°C

SCHEMA CONNESSIONE ELETTRICA
 CONNECTOR ELECTRIC SCHEME



P/N 293137-1 AS SHOWN

<small>THIS DRAWING IS A CONTROLLED DOCUMENT FOR TYCO ELECTRONICS CORPORATION IT IS SUBJECT TO CHANGE AND THE CONTROLLING ENGINEERING ORGANIZATION SHOULD BE CONTACTED FOR THE LATEST REVISION.</small>		DWN	03AUG2005		tyco Electronics AMP Italia S.p.A. 10093 Collegno TO		
DIMENSIONS:		CHK	03AUG2005		NAME 5 POSITION MATE-N-LOK T CONNECTOR FOR RAILWAY APPLICATIONS SOCKET VERSION	RESTRICTED TO	
mm		APVD	03AUG2005			SIZE	CAGE CODE
		TOLERANCES UNLESS OTHERWISE SPECIFIED: 0 PLC ±0.5 1 PLC ± 2 PLC ± 3 PLC ± 4 PLC ± ANGLES ±1°			PRODUCT SPEC	A3 00779 C=293137	
MATERIAL		FINISH		APPLICATION SPEC	WEIGHT		
				WEIGHT	CUSTOMER DRAWING		
				SCALE	SHEET	OF	
						REV A3	

Mouser Electronics

Authorized Distributor

Click to View Pricing, Inventory, Delivery & Lifecycle Information:

[TE Connectivity:](#)

[293137-1](#)