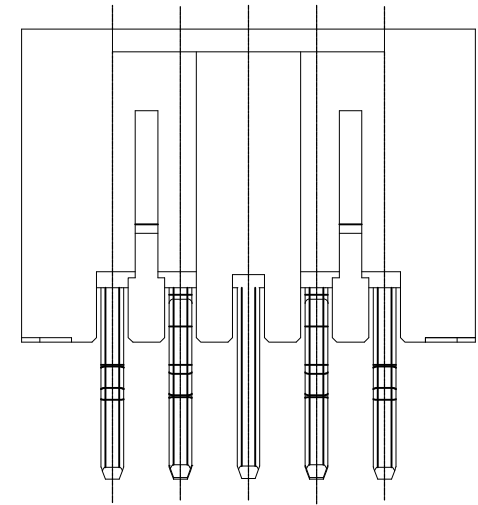
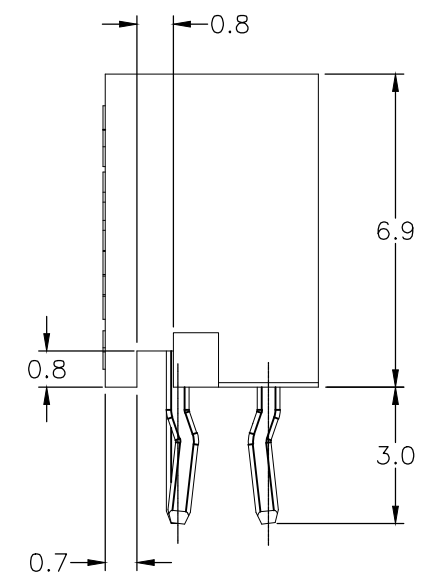
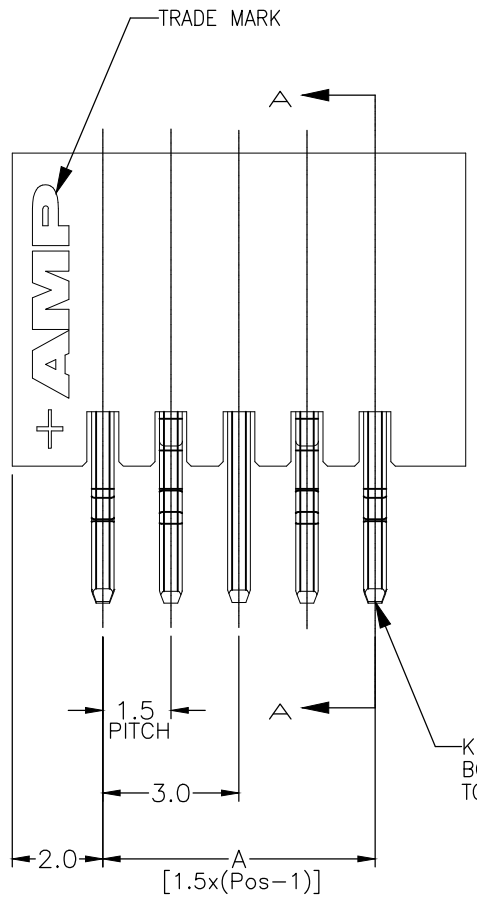
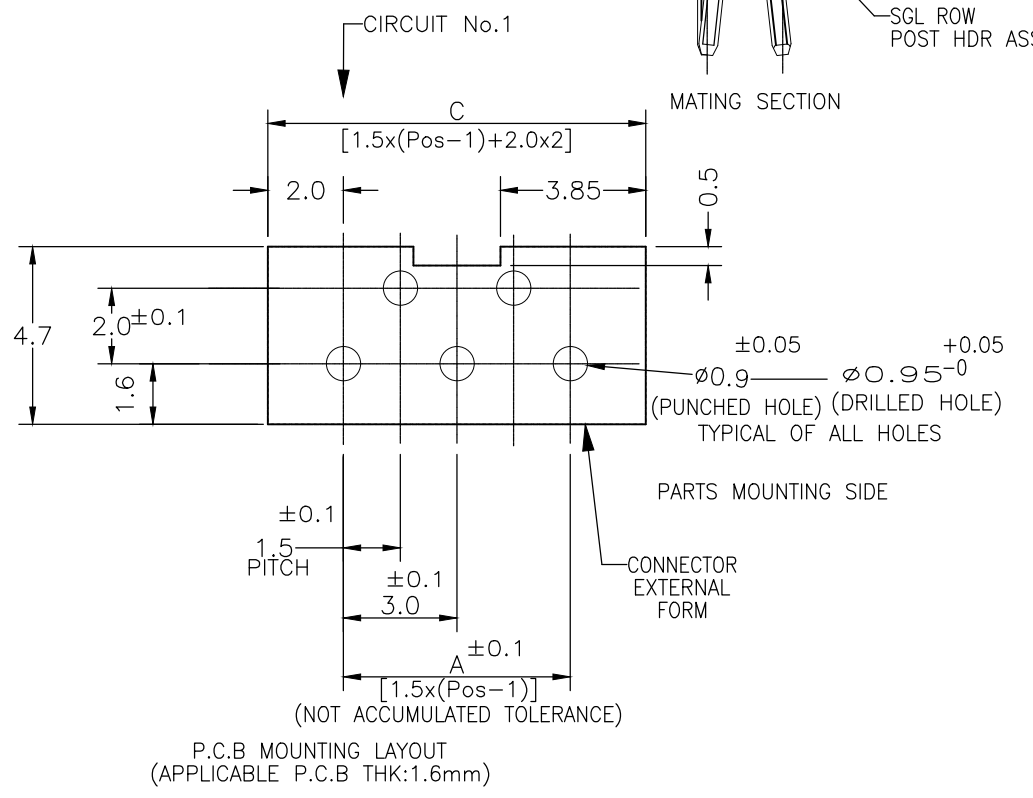
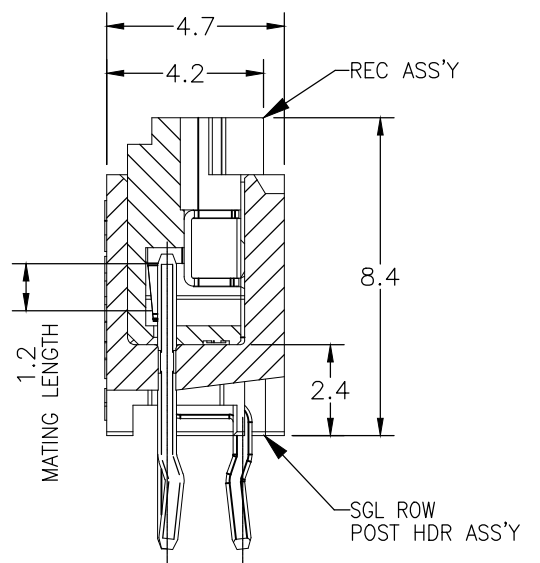
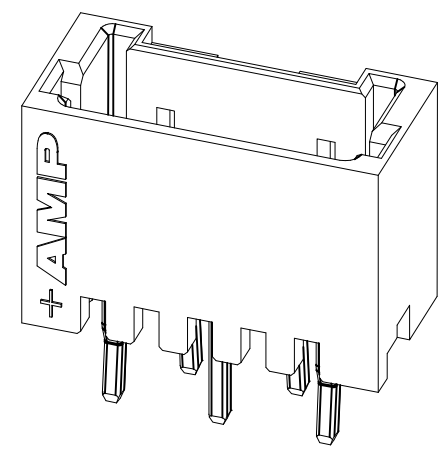
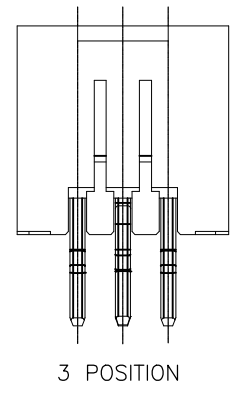
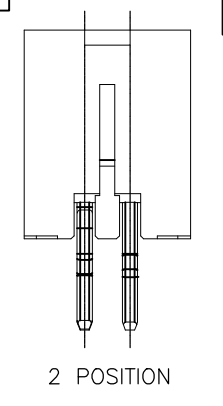
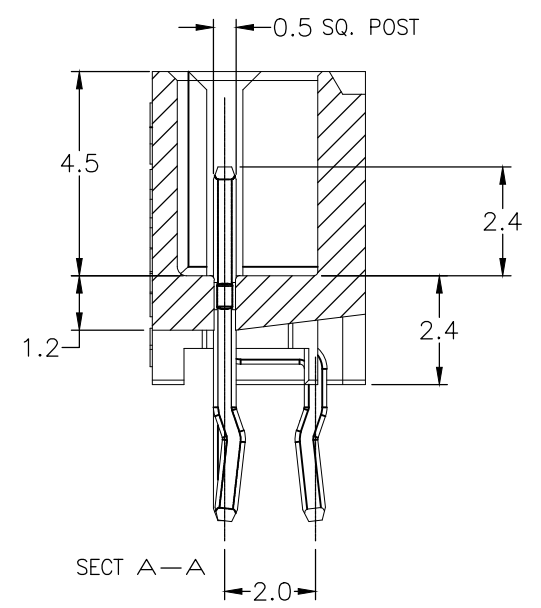
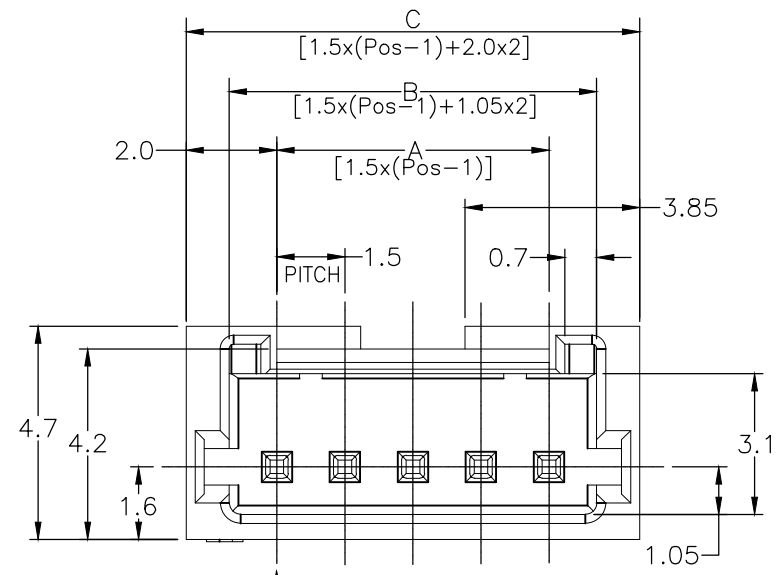


THIS DRAWING IS UNPUBLISHED. RELEASED FOR PUBLICATION  
 © COPYRIGHT - By - ALL RIGHTS RESERVED.

LOC	DIST	REVISIONS					
ES	00	P	LTR	DESCRIPTION	DATE	DWN	APVD
		C		ECR-17-007977	30NOV17	T.Q	W.H



KINKING FORMING BOTH SIDE EACH 2 PLACES TOTAL: 4 PLACES

NOTES:  
 △ MATERIAL: HOUSING: PA10T(NON G.F.) UL94V-0 POST: GOLD PLATED 0.5mm SQ. BRASS WIRE  
 △ MATERIAL: HOUSING: PA10T(WITH G.F.) UL94V-0 POST: GOLD PLATED 0.5mm SQ. BRASS WIRE

TOLERANCES UNLESS OTHERWISE SPECIFIED:

10 >> *	: ±0.2
30 >> * > 10	: ±0.25
100 >> * > 30	: ±0.3
ANGLE	: ±3°

THIS DRAWING IS A CONTROLLED DOCUMENT.

DIMENSIONS:	TOLERANCES UNLESS OTHERWISE SPECIFIED:
mm	
	0 PLC ± -
	1 PLC ± -
	2 PLC ± -
	3 PLC ± -
	4 PLC ± -
	ANGLES ± -
MATERIAL	FINISH
SEE NOTE 1	SEE NOTE 1

DWN S.XU 02JUN03	TE Connectivity
CHK S.YAO 02JUN03	
APVD T. SASAKI 02JUN03	
PRODUCT SPEC	
108 - 60018	NAME
APPLICATION SPEC	Mini CT CONN 1.5mm P Single Row HDR Assy (V) (GOLD-PLATING) DIP Type W Kink
114 - 5223	SIZE
WEIGHT SEE TABLE	CAGE CODE
CUSTOMER DRAWING	DRAWING NO
	A300779 C-292272
	RESTRICTED TO
	SCALE -
	SHEET 1 OF 2
	REV C

THIS DRAWING IS UNPUBLISHED.

RELEASED FOR PUBLICATION

--

LOC

DIST

REVISIONS

© COPYRIGHT - By -

ALL RIGHTS RESERVED.

ES

00

P

LTR

DESCRIPTION

DATE

DWN

APVD

SEE SHEET 1

0.96	32.5	30.6	28.5	20	7-292272-0	2-292272-0	9-292272-0	4-292272-0
0.91	31.0	29.1	27.0	19	6-292272-9	1-292272-9	8-292272-9	3-292272-9
0.87	29.5	27.6	25.5	18	6-292272-8	1-292272-8	8-292272-8	3-292272-8
0.82	28.0	26.1	24.0	17	6-292272-7	1-292272-7	8-292272-7	3-292272-7
0.78	26.5	24.6	22.5	16	6-292272-6	1-292272-6	8-292272-6	3-292272-6
0.73	25.0	23.1	21.0	15	6-292272-5	1-292272-5	8-292272-5	3-292272-5
0.69	23.5	21.6	19.5	14	6-292272-4	1-292272-4	8-292272-4	3-292272-4
0.64	22.0	20.1	18.0	13	6-292272-3	1-292272-3	8-292272-3	3-292272-3
0.60	20.5	18.6	16.5	12	6-292272-2	1-292272-2	8-292272-2	3-292272-2
0.55	19.0	17.1	15.0	11	6-292272-1	1-292272-1	8-292272-1	3-292272-1
0.51	17.5	15.6	13.5	10	6-292272-0	1-292272-0	8-292272-0	3-292272-0
0.46	16.0	14.1	12.0	9	5-292272-9	292272-9	7-292272-9	2-292272-9
0.42	14.5	12.6	10.5	8	5-292272-8	292272-8	7-292272-8	2-292272-8
0.37	13.0	11.1	9.0	7	5-292272-7	292272-7	7-292272-7	2-292272-7
0.33	11.5	9.6	7.5	6	5-292272-6	292272-6	7-292272-6	2-292272-6
0.28	10.0	8.1	6.0	5	5-292272-5	292272-5	7-292272-5	2-292272-5
0.24	8.5	6.6	4.5	4	5-292272-4	292272-4	7-292272-4	2-292272-4
0.19	7.0	5.1	3.0	3	5-292272-3	292272-3	7-292272-3	2-292272-3
0.16	5.5	3.6	1.5	2	5-292272-2	292272-2	7-292272-2	2-292272-2
WEIGHT (g)	C	B	A	Pos.	△ BLUE	△ GRAY	BLUE △	GRAY △
DIMENSIONS				P/N				

THIS DRAWING IS A CONTROLLED DOCUMENT.

DWN S.XU 02JUN03

CHK S.YAO 02JUN03

APVD T. SASAKI 02JUN03

PRODUCT SPEC

108 - 60018

APPLICATION SPEC

114 - 5223

WEIGHT 0.000000

CUSTOMER DRAWING

SCALE -

SHEET 2 of 2

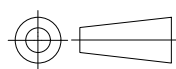
REV C



AMP Mini CT Connector 1.5mm Pitch  
Single Row Post HDR Ass'y (V) (GOLD-PLATING)  
DIP Staggered Type without Boss with Kink

SIZE A3 CAGE CODE 00779 DRAWING NO C-292272 RESTRICTED TO -

DIMENSIONS: mm



TOLERANCES UNLESS OTHERWISE SPECIFIED:

- 0 PLC ± -
- 1 PLC ± -
- 2 PLC ± -
- 3 PLC ± -
- 4 PLC ± -
- ANGLES ± -

MATERIAL SEE NOTE 1

FINISH SEE NOTE 1

# Mouser Electronics

Authorized Distributor

Click to View Pricing, Inventory, Delivery & Lifecycle Information:

[TE Connectivity:](#)

[1-292272-0](#)