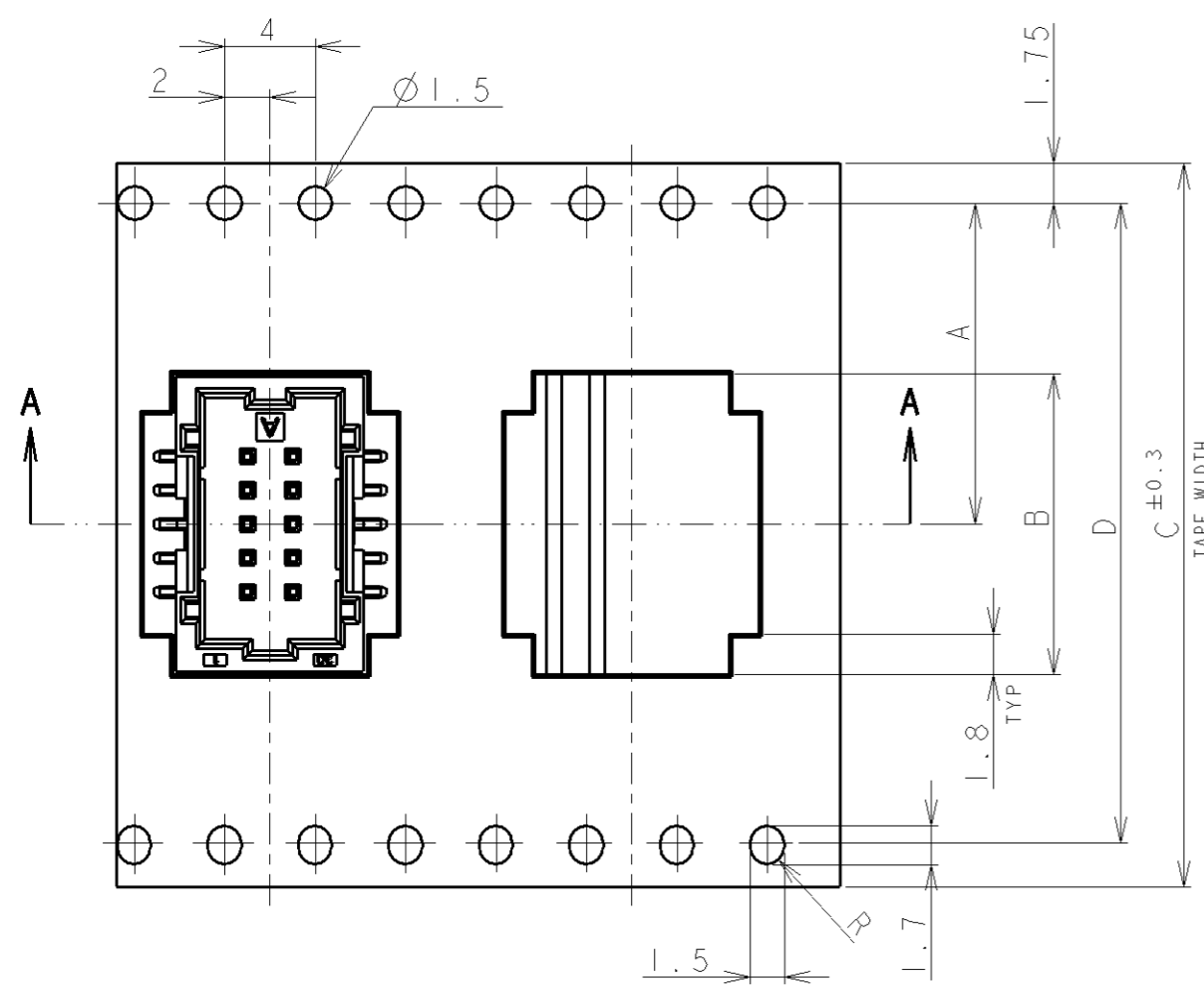
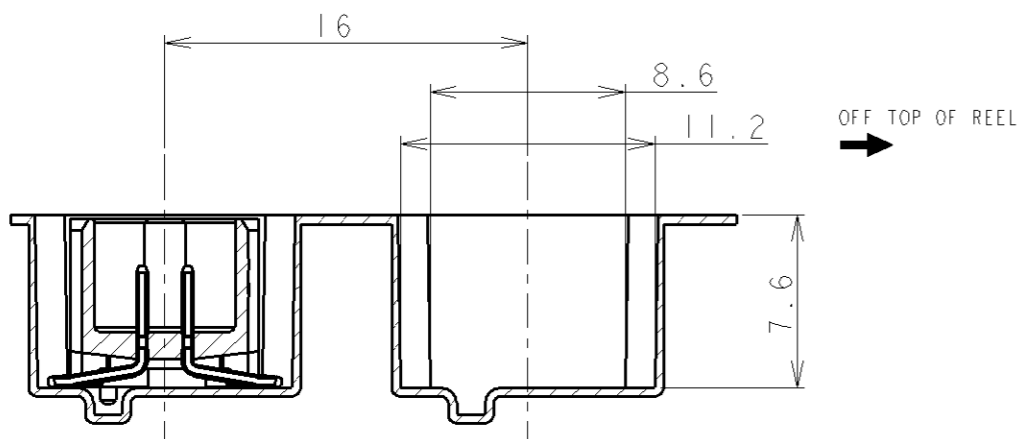
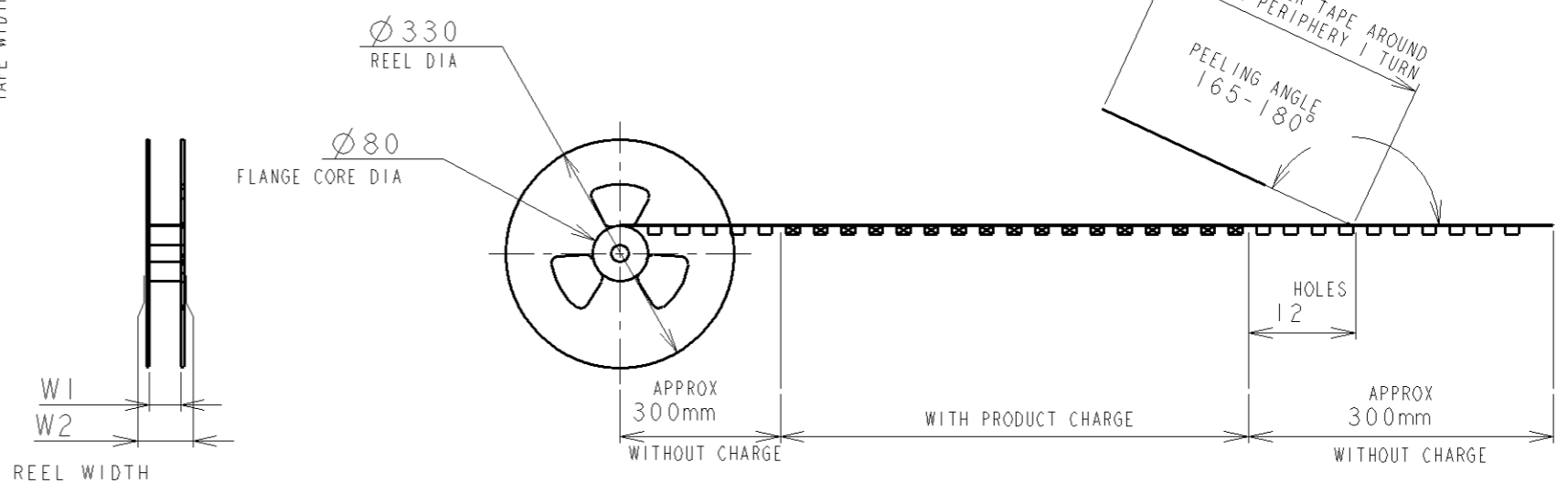
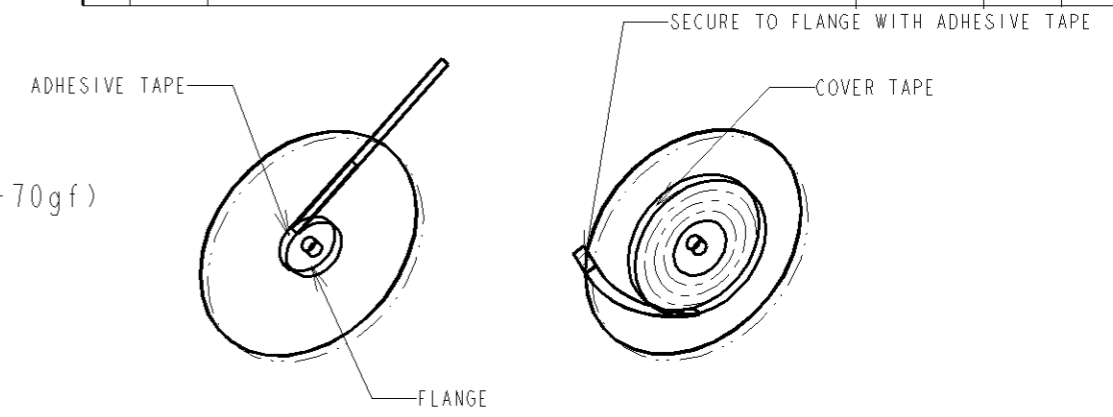


LOC	DIST	REVISIONS			
P	LTR	DESCRIPTION	DATE	DWN	APVD
ES	00	BI REVISED	ECR-09-024244	06NOV09	C.Z S.Y



NOTE:
 1. PEELING STRENGTH: 0.20-0.69N(20-70gf)
 PEELING ANGLE: 165-180°
 PEELING SPEED: 300mm/MINUTE.



TOLERANCES UNLESS OTHERWISE SPECIFIED:

10 >	: ±0.2
30 > * > 10	: ±0.25
100 > * > 30	: ±0.3
ANGLE	: ±3°

THIS DRAWING IS A CONTROLLED DOCUMENT FOR AMP INCORPORATED. IT IS SUBJECT TO CHANGE AND THE CONTROLLING ENGINEERING ORGANIZATION SHOULD BE CONTACTED FOR THE LATEST REVISION.		DWN	S. XU	31JAN03	Tyco Electronics Corporation SHANGHAI, CHINA
DIMENSIONS: mm		CHK	S. YAO	31JAN03	
TOLERANCES UNLESS OTHERWISE SPECIFIED:		APVD	T. SASAKI	31JAN03	
0 PLC ±- 1 PLC ±0.1 2 PLC ±0.15 3 PLC ±0.001 4 PLC ±0.0001 ANGLES ±-		PRODUCT SPEC	108-60018		
MATERIAL		APPLICATION SPEC	114-5223		NAME
FINISH		WGT	CUSTOMER DRAWING		AMP Mini Common Terminated (CT) Connector 1.5mm PITCH DOUBLE ROW POST HDR ASS'Y (V) SMT TYPE WITH BOSS, EMBOSS TAPE PACKAGED
		SCALE	NON		SIZE
		SHEET	1 of 4		CAGE CODE
		REV	B1		DRAWING NO
			A3		00779
			C-292229		RESTRICTED TO



LOC	DIST	REVISIONS					
FB	00	P	LTR	DESCRIPTION	DATE	DWN	APVD

37.5	33.5	52.4	56	35.8	26.2	400	40	BLACK	9-292229-0
37.5	33.5	40.4	44	34.3	20.2	400	38		8-292229-8
37.5	33.5	40.4	44	32.8	20.2	400	36		8-292229-6
29.5	25.5	40.4	44	31.3	20.2	400	34		8-292229-4
29.5	25.5	40.4	44	29.8	20.2	400	32		8-292229-2
29.5	25.5	40.4	44	28.3	20.2	400	30		8-292229-0
29.5	25.5	40.4	44	26.8	20.2	400	28		7-292229-8
21.5	17.5	40.4	44	25.3	20.2	400	26		7-292229-6
21.5	17.5	40.4	44	23.8	20.2	400	24		7-292229-4
21.5	17.5	28.4	32	22.2	14.2	400	22		7-292229-2
W2	W1	D	C	B	A	QTY/REEL	POS	COLOR	ON TAPE P/N
DIMENSIONS									

37.5	33.5	52.4	56	35.8	26.2	400	40	BEIGE	4-292229-0
37.5	33.5	40.4	44	34.3	20.2	400	38		3-292229-8
37.5	33.5	40.4	44	32.8	20.2	400	36		3-292229-6
29.5	25.5	40.4	44	31.3	20.2	400	34		3-292229-4
29.5	25.5	40.4	44	29.8	20.2	400	32		3-292229-2
29.5	25.5	40.4	44	28.3	20.2	400	30		3-292229-0
29.5	25.5	40.4	44	26.8	20.2	400	28		2-292229-8
21.5	17.5	40.4	44	25.3	20.2	400	26		2-292229-6
21.5	17.5	40.4	44	23.8	20.2	400	24		2-292229-4
21.5	17.5	28.4	32	22.2	14.2	400	22		2-292229-2
W2	W1	D	C	B	A	QTY/REEL	POS	COLOR	ON TAPE P/N
DIMENSIONS									

THIS DRAWING IS UNPUBLISHED.

© COPYRIGHT BY TYCO ELECTRONICS CORPORATION. ALL RIGHTS RESERVED.

DIMENSIONS: mm		DWN		WIRE RANGE		INSULATION DIA	
TOLERANCES UNLESS OTHERWISE SPECIFIED:		CHK		MATERIAL		FINISH	
0 PLC ±-		APVD		 Tyco Electronics Corporation SHANGHAI, CHINA			
1 PLC ±0.1		PRODUCT SPEC					
2 PLC ±0.15		SEE SHEET 1 OF 4		NAME AMP Mini Common Terminated (CT) Connector 1.5mm PITCH			
3 PLC ±0.001		APPLICATION SPEC		DOUBLE ROW POST HDR ASS'Y (V)			
4 PLC ±0.0001		SEE SHEET 1 OF 4		SMT TYPE WITH BOSS, EMBOSS TAPE PACKAGED			
ANGLES ±-		WEIGHT		SIZE	CAGE CODE	DRAWING NO	RESTRICTED TO
				A4	00779	C-292229	
CUSTOMER DRAWING				SCALE	NON	SHEET	2 OF 4
						REV	B1

4

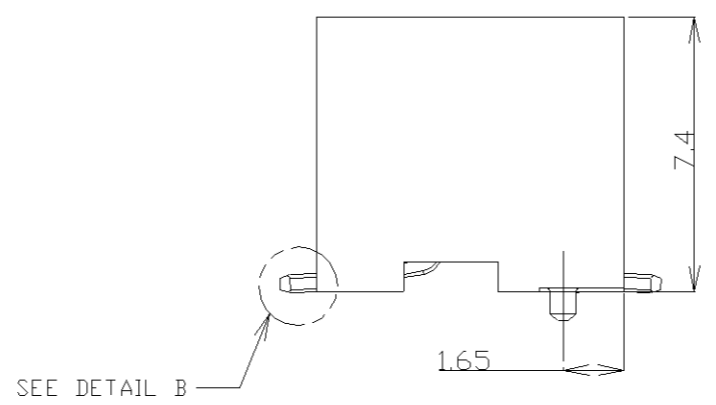
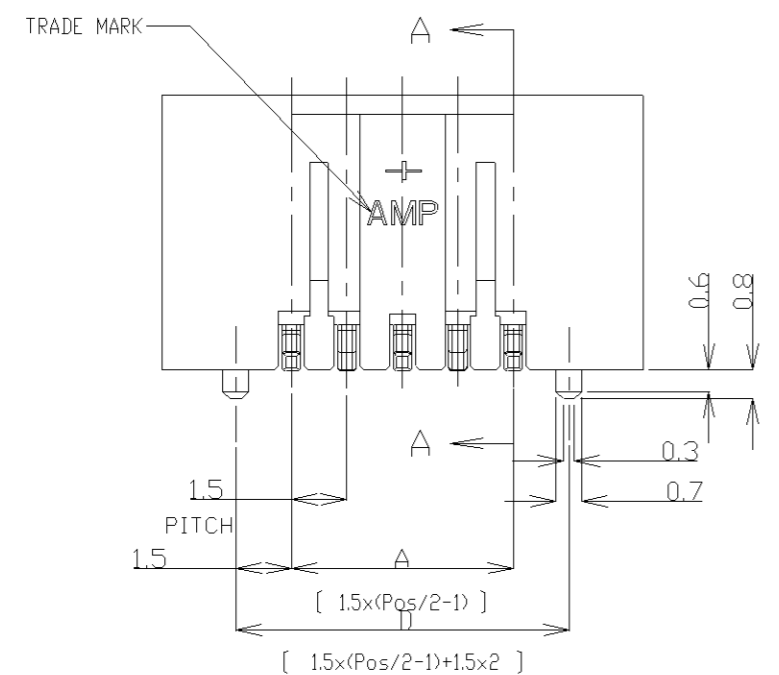
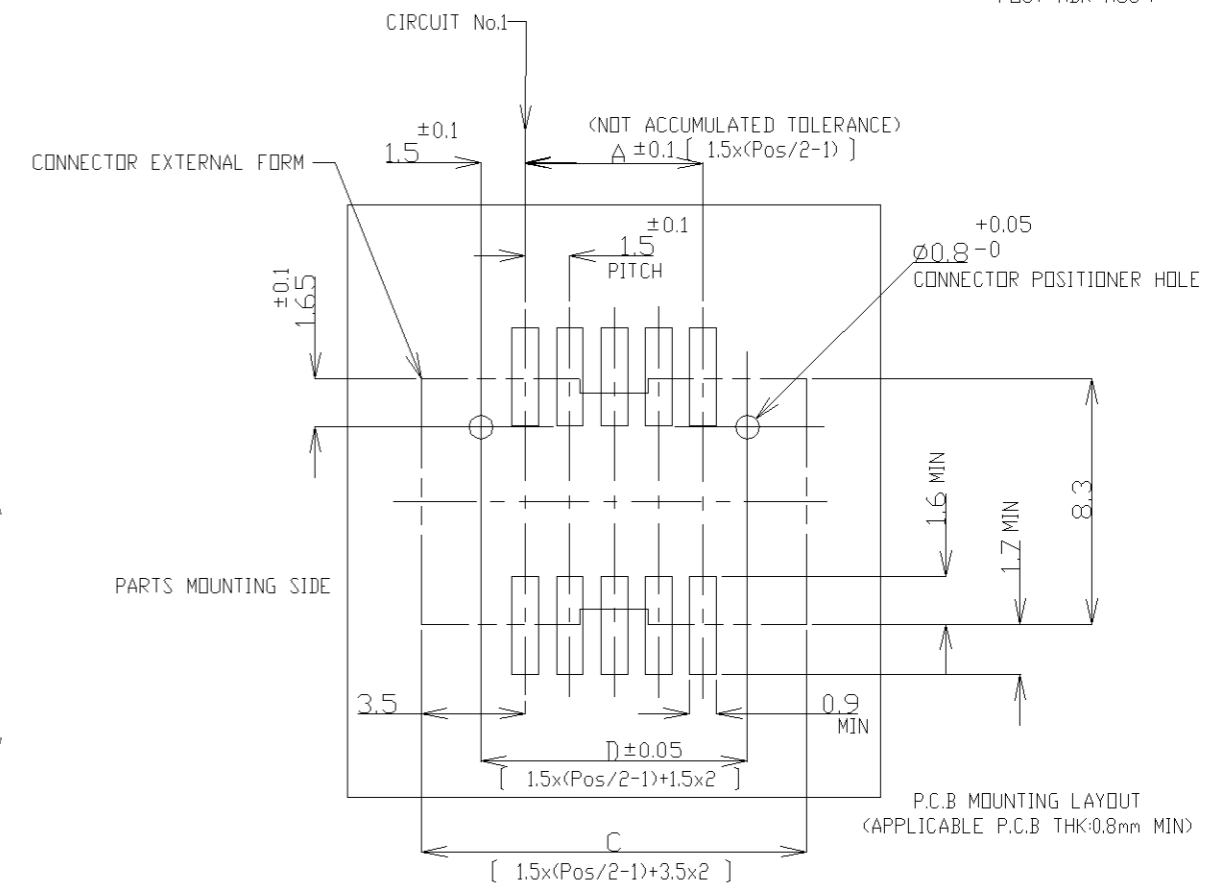
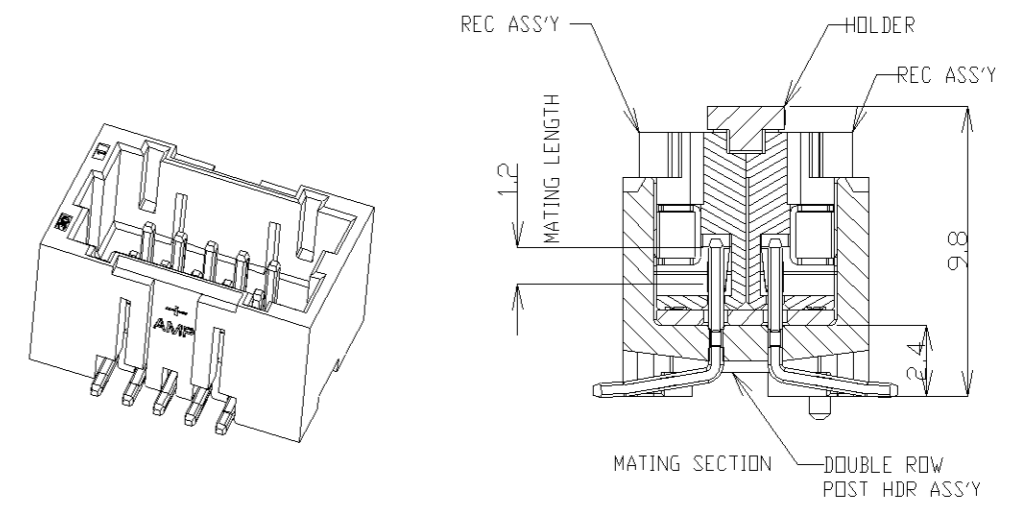
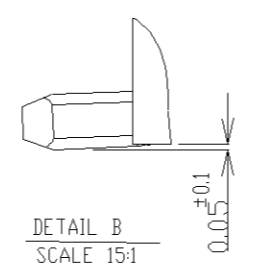
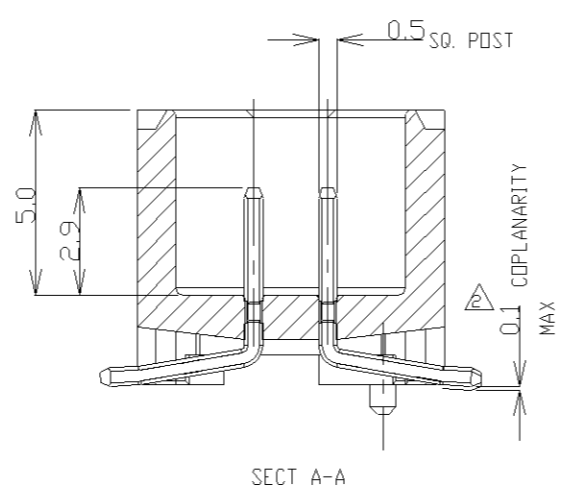
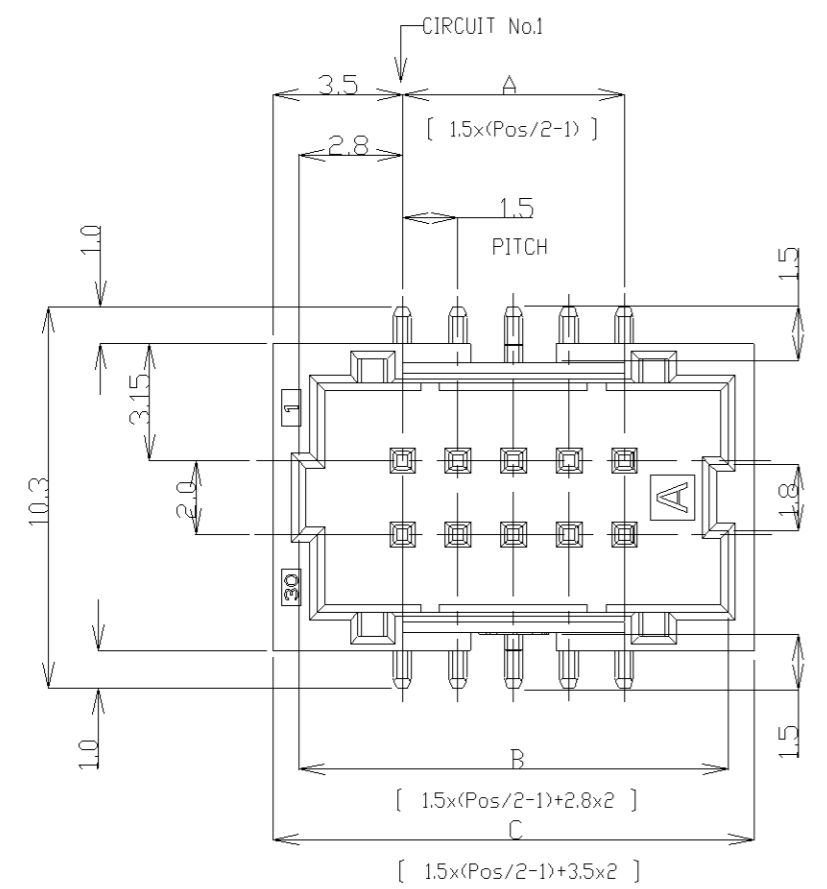
3

2

1

THIS DRAWING IS UNPUBLISHED. RELEASED FOR PUBLICATION
 © COPYRIGHT BY TYCO ELECTRONICS CORPORATION. ALL INTERNATIONAL RIGHTS RESERVED.

LOC	DIST	REVISIONS				
P	LTR	DESCRIPTION	DATE	DWN	APVD	
ES	00					



NOTES:
 1. MATERIAL:
 HOUSING-HIGH HEAT RESISTANT, GLASS FILLED NYLON, UL94V-0, COLOR-BEIGE, BLACK
 POST:Sn-100% BRASS WIRE
 TO BE MEASURED WITH CONNECTOR PLACED ON HORIZONTAL DATUM SURFACE,
 FLOAT OF SOLDER TINE FROM DATUM SURFACE IS 0.1mm MAX.

TOLERANCES UNLESS OTHERWISE SPECIFIED:

10 >	±0.2
30 > 10	±0.25
100 > 30	±0.3
ANGLE	±3°

THIS DRAWING IS A CONTROLLED DOCUMENT.

DIMENSIONS:	TOLERANCES UNLESS OTHERWISE SPECIFIED:
mm	0 PLC ±
	1 PLC ±
	2 PLC ±
	3 PLC ±
	4 PLC ±
	ANGLES ±
MATERIAL	FINISH
SEE NOTE 1	SEE NOTE 1

DWN	---	Tyco Electronics Corporation Shanghai, P.R. China, 200233	
CHK	---		
APVD	---		
PRODUCT SPEC	---		
APPLICATION SPEC	---		
NAME		AMP Mini Common Terminated (CT) Connector 1.5mm PITCH DBL ROW POST HDR ASS'Y (V) SMT TYPE WITH BOSS	
SIZE	A3		
CAGE CODE	00779	DRAWING NO	C=292229
RESTRICTED TO	---	SCALE	NON
CUSTOMER DRAWING		SHEET	3 of 4
		REV	B1


LOC	DIST	REVISIONS						
		P	LTR	DESCRIPTION	DATE	DWN	APVD	
—	—		—	—		—	—	—

31.5	35.5	34.1	28.5	40	9-292229-0	4-292229-0
30.0	34.0	22.6	27.0	38	8-292229-8	3-292229-8
28.5	32.5	31.1	25.5	36	8-292229-6	3-292229-6
27.0	31.0	29.6	24.0	34	8-292229-4	3-292229-4
25.5	29.5	28.1	22.5	32	8-292229-2	3-292229-2
24.0	28.0	26.6	21.0	30	8-292229-0	3-292229-0
22.5	26.5	25.1	19.5	28	7-292229-8	2-292229-8
21.0	25.0	23.6	18.0	26	7-292229-6	2-292229-6
19.5	23.5	22.1	16.5	24	7-292229-4	2-292229-4
18.0	22.0	20.6	15.0	22	7-292229-2	2-292229-2
D	C	B	A	Pos.	BLACK	BEIGE
DIMENSIONS					P/N	

THIS DRAWING IS UNPUBLISHED.

ALL INTERNATIONAL RIGHTS RESERVED.

© COPYRIGHT BY TYCO ELECTRONICS CORPORATION.

DIMENSIONS: mm TOLERANCES UNLESS OTHERWISE SPECIFIED: 0 PLC ± - 1 PLC ± - 2 PLC ± - 3 PLC ± - 4 PLC ± - ANGLES ± -	DWN	MATERIAL		FINISH	
	CHK	 Tyco Electronics Corporation Shanghai, P.R. China, 200233			
	APVD	NAME AMP Mini Common Terminated (CT) Conn. 1.5mm PITCH DBL ROW POST HDR ASS'Y (V) SMT TYPE W BOSS			
	PRODUCT SPEC	SIZE	CAGE CODE	DRAWING NO	RESTRICTED TO
	APPLICATION SPEC	A4	00779	C-292229	—
	WEIGHT	CUSTOMER DRAWING			
		SCALE	SHEET		REV
		NON	4 of 4		B1

Mouser Electronics

Authorized Distributor

Click to View Pricing, Inventory, Delivery & Lifecycle Information:

[TE Connectivity:](#)

[3-292229-0](#)