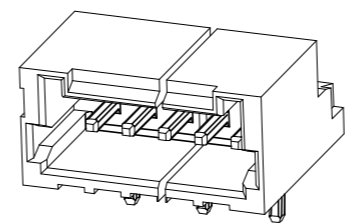
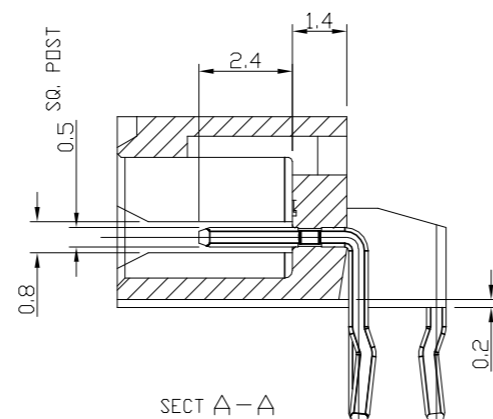
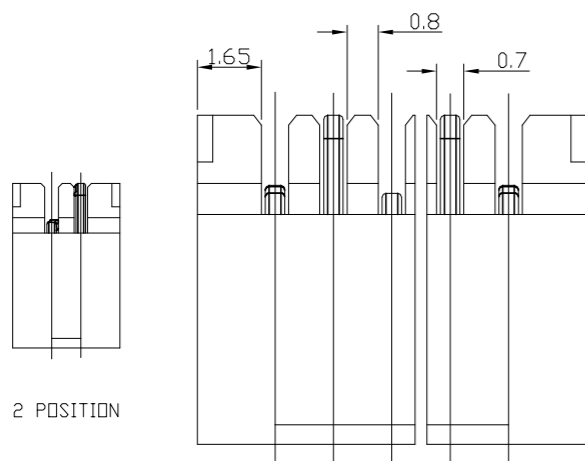
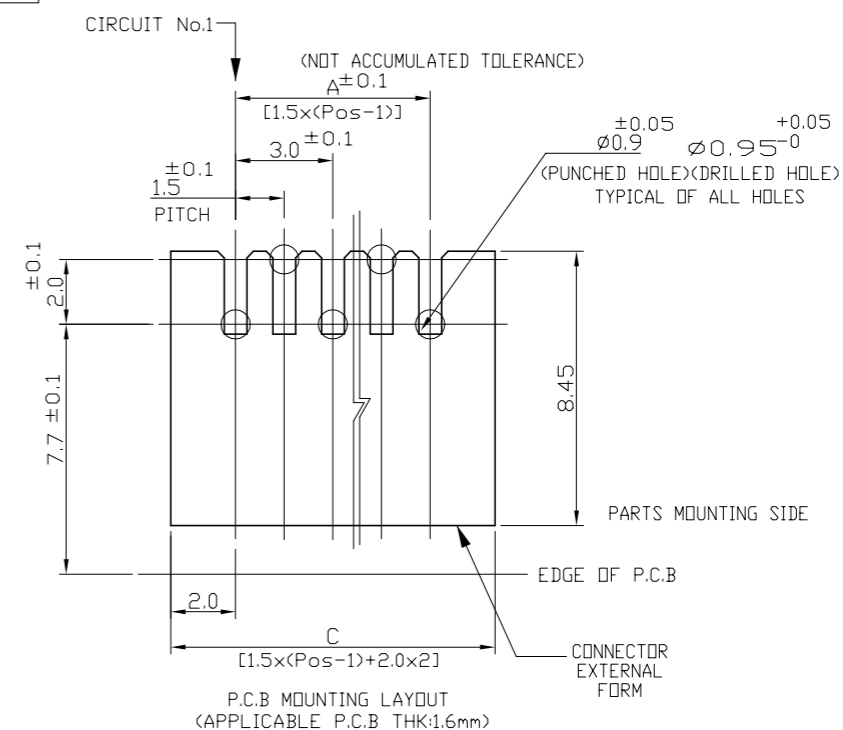
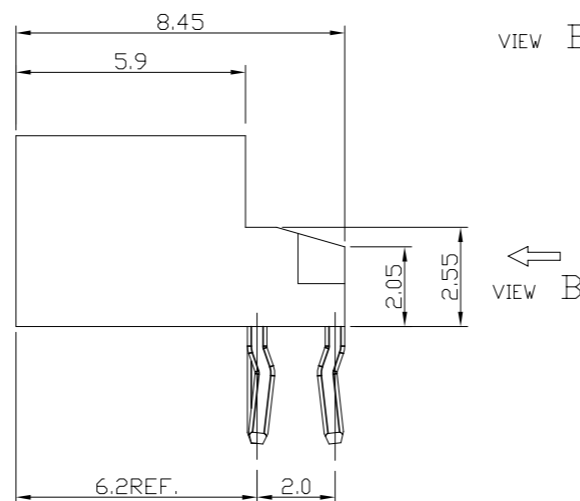
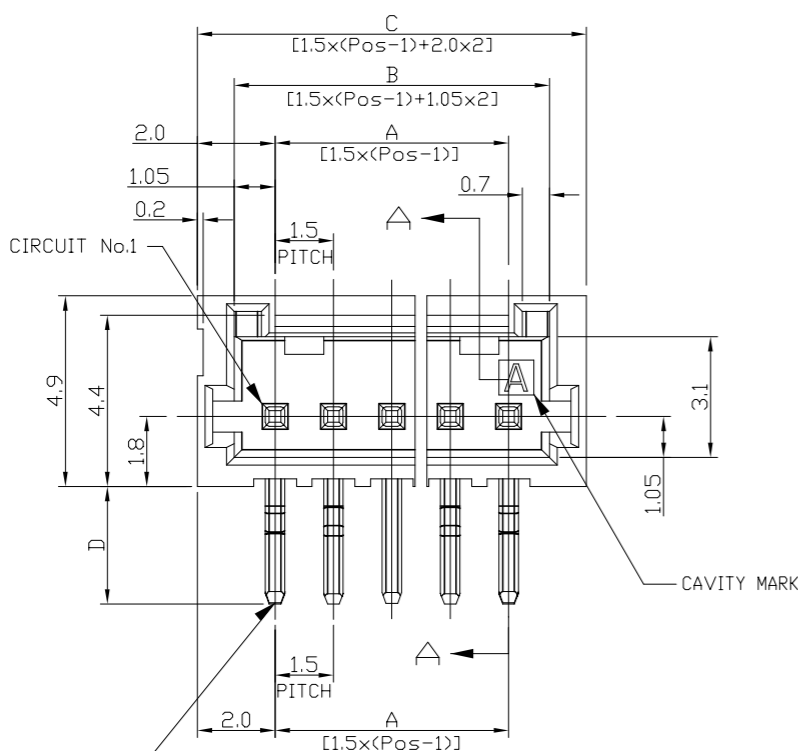
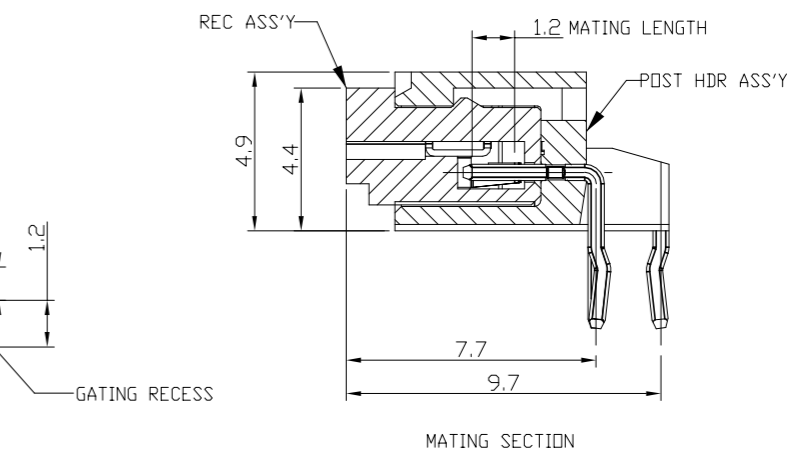
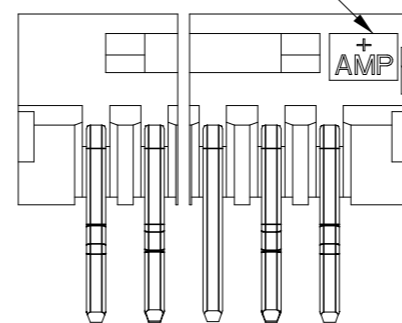


P	LTR	DESCRIPTION	DATE	DWN	APVD
	B1	ECR-20-004164	29MAR2020	T.Q	W.H



TRADE MARK



KINKING FORMING BOTH SIDE EACH 2 PLACES TOTAL: 4 PLACES

NOTES:

1.MATERIAL:  
HOUSING:NYLON(G.F.) UL94V-0,COLOR:GRAY,BLUE  
POST:PRE-TIN 0.5mm SQ. BRASS WIRE

TOLERANCES UNLESS OTHERWISE SPECIFIED:

10 > \* : ±0.2  
30 > \* >10 : ±0.25  
100 > \* >30 : ±0.3  
ANGLE : ±3°

THIS DRAWING IS A CONTROLLED DOCUMENT.

DIMENSIONS:	TOLERANCES UNLESS OTHERWISE SPECIFIED:
mm	
	0 PLC ± -
	1 PLC ± -
	2 PLC ± -
	3 PLC ± -
	4 PLC ± -
	ANGLES ± -
MATERIAL	FINISH
SEE NOTE 1	SEE NOTE 1

DWN	S.YAO	06DEC02
CHK	T.SASAKI	31JAN03
APVD	T.SASAKI	31JAN03
PRODUCT SPEC	108-60018	
APPLICATION SPEC	114-5223	
WEIGHT	SEE TABLE	A3
CUSTOMER DRAWING		



AMP Mini CT Connector 1.5mm Pitch  
Single Row HDR with Kink  
DIP Staggered Type

NAME	SIZE	CAGE CODE	DRAWING NO	RESTRICTED TO
	A3	00779	C=292206	-
SCALE	NON		SHEET	1 of 2
REV	B1			

REVISIONS

P	LTR	DESCRIPTION	DATE	DWN	APVD
-		SEE SHEET 1	-	-	-

0.28	2.5	8.5	6.6	4.5	4			9-292206-4
0.23	2.5	7.0	5.1	3.0	3			9-292206-3
1.11	3.0	32.5	30.6	28.5	20	7-292206-0	4-292206-0	2-292206-0
1.06	3.0	31.0	29.1	27.0	19	6-292206-9	3-292206-9	1-292206-9
1.01	3.0	29.5	27.6	25.5	18	6-292206-8	3-292206-8	1-292206-8
0.96	3.0	28.0	26.1	24.0	17	6-292206-7	3-292206-7	1-292206-7
0.91	3.0	26.5	24.6	22.5	16	6-292206-6	3-292206-6	1-292206-6
0.86	3.0	25.0	23.1	21.0	15	6-292206-5	3-292206-5	1-292206-5
0.81	3.0	23.5	21.6	19.5	14	6-292206-4	3-292206-4	1-292206-4
0.75	3.0	22.0	20.1	18.0	13	6-292206-3	3-292206-3	1-292206-3
0.70	3.0	20.5	18.6	16.5	12	6-292206-2	3-292206-2	1-292206-2
0.65	3.0	19.0	17.1	15.0	11	6-292206-1	3-292206-1	1-292206-1
0.60	3.0	17.5	15.6	13.5	10	6-292206-0	3-292206-0	1-292206-0
0.54	3.0	16.0	14.1	12.0	9	5-292206-9	2-292206-9	292206-9
0.49	3.0	14.5	12.6	10.5	8	5-292206-8	2-292206-8	292206-8
0.44	3.0	13.0	11.1	9.0	7	5-292206-7	2-292206-7	292206-7
0.40	3.0	11.5	9.6	7.5	6	5-292206-6	2-292206-6	292206-6
0.34	3.0	10.0	8.1	6.0	5	5-292206-5	2-292206-5	292206-5
0.29	3.0	8.5	6.6	4.5	4	5-292206-4	2-292206-4	292206-4
0.24	3.0	7.0	5.1	3.0	3	5-292206-3	2-292206-3	292206-3
0.19	3.0	5.5	3.6	1.5	2	5-292206-2	2-292206-2	292206-2
WEIGHT <g>	D	C	B	A	Pos.	BLUE	BLACK	GRAY
	DIMENSIONS					PART NO		

THIS DRAWING IS A CONTROLLED DOCUMENT.		DWN S.YAO	06DEC02	<b>STE</b> TE Connectivity	
		CHK T.SASAKI	31JAN03		
DIMENSIONS: mm		TOLERANCES UNLESS OTHERWISE SPECIFIED:		NAME	
		0 PLC ± -		AMP Mini CT Connector 1.5mm Pitch	
		1 PLC ± -		Single Row HDR with Kink	
		2 PLC ± -		DIP Staggered Type	
		3 PLC ± -		SIZE	
		4 PLC ± -		CAGE CODE	
		ANGLES ± -		DRAWING NO	
MATERIAL SEE NOTE 1		FINISH SEE NOTE 1		RESTRICTED TO	
		APVD T. SASAKI		-	
		PRODUCT SPEC 108-60018		SCALE	
		APPLICATION SPEC 114-5223		NON	
		WEIGHT SEE TABLE		SHEET	
		CUSTOMER DRAWING		2 OF 2	
		A3 00779 C-292206		REV	
				B1	

# Mouser Electronics

Authorized Distributor

Click to View Pricing, Inventory, Delivery & Lifecycle Information:

[TE Connectivity:](#)

[5-292206-6](#)