


THIS DRAWING IS UNPUBLISHED. RELEASED FOR PUBLICATION
 © COPYRIGHT - By - ALL RIGHTS RESERVED.

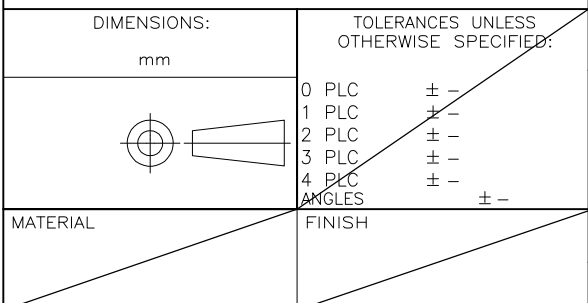
LOC	DIST	REVISIONS					
FB	00	P	LTR	DESCRIPTION	DATE	DWN	APVD
		P		REVISED PER ECO-11-005033	25MAR11	RK	HMR

NAME	POS	IN TUBE P/N	QTY'S	CT POST HDR ASS'Y (BOX-V DIP)	COLOR	NAME	POS	IN TUBE P/N	QTY'S	CT POST HDR ASS'Y (BOX-V DIP)	COLOR
TUBE PACKING AMP CT CONN POST HDR ASS'Y (BOX-V DIP)	15	7-292165-5	15	7-292132-5	BLACK	TUBE PACKING AMP CT CONN POST HDR ASS'Y (BOX-V DIP)	15	3-292165-5	15	3-292132-5	BLUE
	14	7-4	15	7-4							
	13	7-3	15	7-3							
	12	7-2	15	7-2							
	11	7-1	20	7-1							
	10	7-0	20	7-0							
	9	6-9	20	6-9							
	8	6-8	25	6-8							
	7	6-7	30	6-7							
	6	6-6	30	6-6							
	5	6-5	40	6-5							
	4	6-4	45	6-4							
	3	6-3	60	6-3							
	2	6-292165-2	80	6-292132-2							
	15	5-292165-5	15	5-292132-5							
TUBE PACKING AMP CT CONN POST HDR ASS'Y (BOX-V DIP)	14	5-4	15	5-4	YELLOW	TUBE PACKING AMP CT CONN POST HDR ASS'Y (BOX-V DIP)	14	1-4	15	1-4	NATURAL (WHITE)
	13	5-3	15	5-3							
	12	5-2	15	5-2							
	11	5-1	20	5-1							
	10	5-0	20	5-0							
	9	4-9	20	4-9							
	8	4-8	25	4-8							
	7	4-7	30	4-7							
	6	4-6	30	4-6							
	5	4-5	40	4-5							
	4	4-4	45	4-4							
	3	4-3	60	4-3							
	2	4-292165-2	80	4-292132-2							

- NOTE:
1. TUBE P/N: 8-720998-8 (P.V.C)
 2. THIS PRODUCT IS IN TUBE PACKING OF P/N 292132

THIS DRAWING IS A CONTROLLED DOCUMENT.

DWN	J.JIANG	23JAN03	 TE Connectivity
CHK	S.YAO	23JAN03	
APVD	T.SASAKI	23JAN03	
NAME	TUBE PACKING AMP CT CONN. POST HDR ASS'Y (BOX-V DIP)		
PRODUCT SPEC	108-60016		
APPLICATION SPEC			
SIZE	CAGE CODE	DRAWING NO	RESTRICTED TO
A3	00779	C-292165	-
CUSTOMER DRAWING			SCALE
			//
SHEET		1 OF 1	REV
			P



Mouser Electronics

Authorized Distributor

Click to View Pricing, Inventory, Delivery & Lifecycle Information:

[TE Connectivity:](#)

[3-292165-0](#)