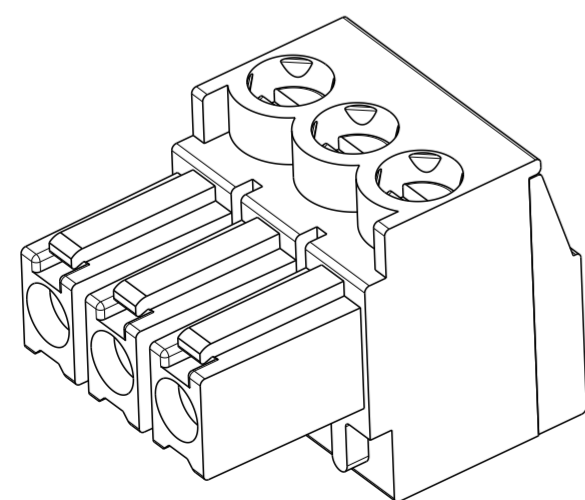
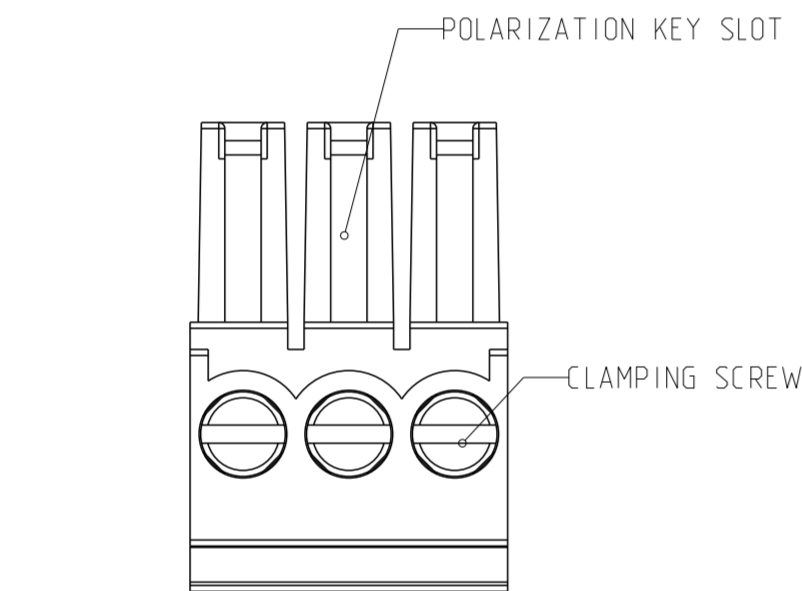
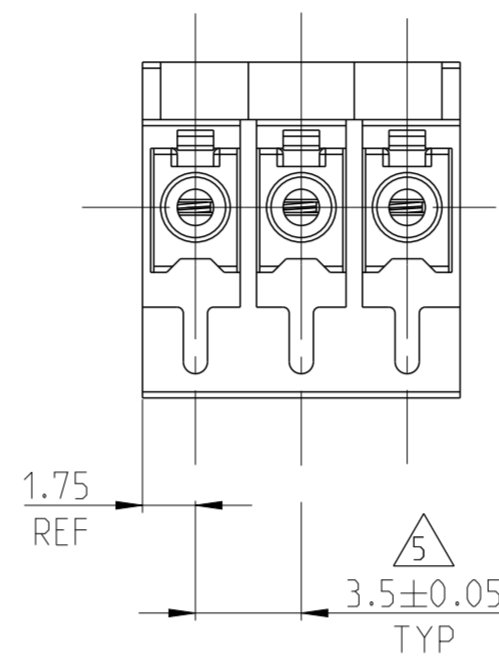
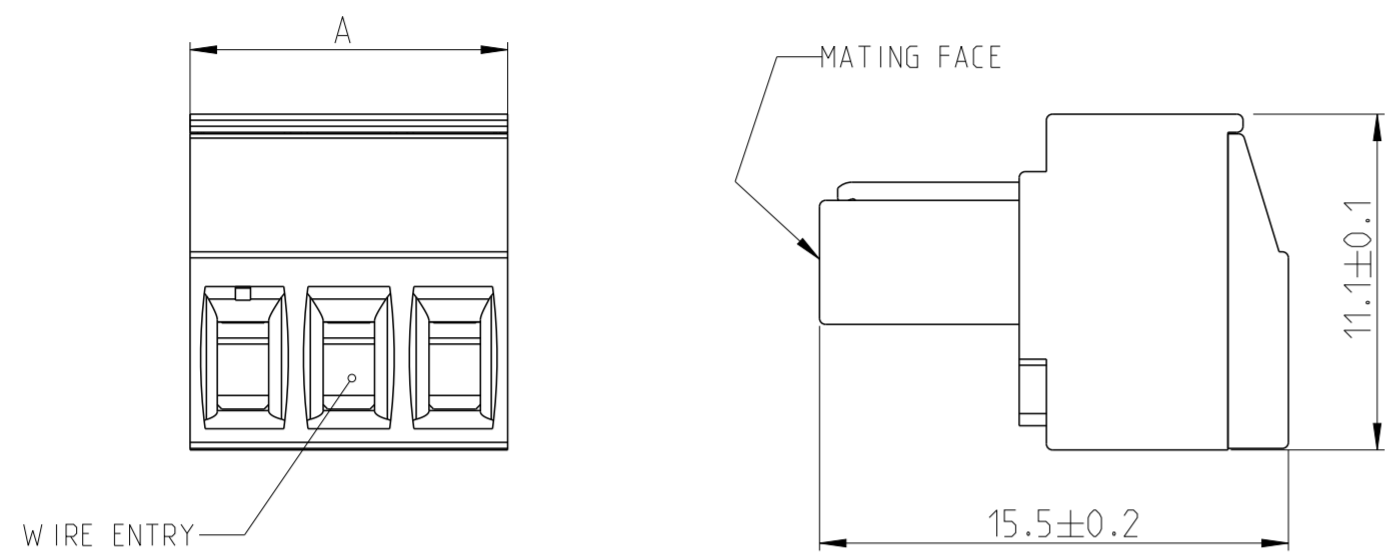
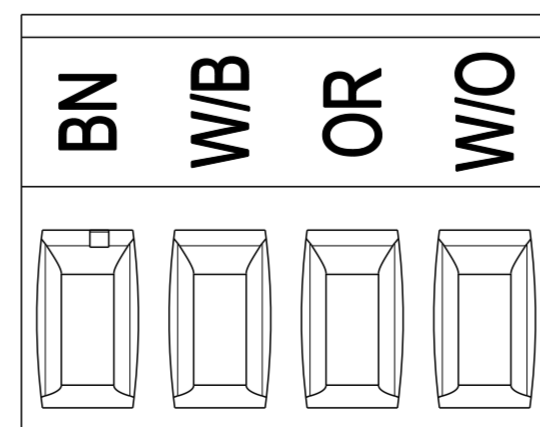


P	LTR	DESCRIPTION	DATE	DWN	APVD
C4		REVISED PER ECO-11-005009	12MAR2011	HMR	CR
C5		NEW P/N 3-284506-1 ADDED	04NOV2016	FP	NG
C6		PART OBSOLETE	31AUG2020	DV	PS



P/N 284506-3 AS SHOWN



3-284056-1

- MATERIALS AND FINISH**
 HOUSING : PA 6.6, UL 94-V0, COLOR GREEN
 CLAMP : BRASS, NICKEL PLATED.
 TERMINAL : BRASS, PLATING: SEE TABLE.
 CONTACT SPRING : PHOSPHOR BRONZE, TIN PLATED
 CLAMPING SCREW : M2, BRASS, NICKEL PLATED
- MECHANICAL**
 RECOMMENDED/ HIGHEST TIGHTENING TORQUE : 0.25/0.25 Nm
 WIRE STRIPPING LENGTH : 5 - 6 mm
- ELECTRICAL**
 WIRE RANGE : 30 - 14 AWG
 MAX. VOLTAGE : 300 V
 MAX CURRENT : 11 A
 CONTACT RESISTANCE : < 15 m Ohm
 INSULATION RESISTANCE : > 1000 M Ohm (500V DC)
- OPERATING TEMPERATURE RANGE: -40°C TO +110°C**
- TOLERANCE NOT CUMULATIVE.**
- PRELIMINARY - NOT FOR PRODUCTION.**
- WITH SPECIAL CODING LOCATED IN POSITIONS 1 AND 3. MATES WITH 3-284512-8.**
- WITH SPECIAL CODING LOCATED IN POSITION 2. MATES WITH 3-284512-9.**
- SPECIAL MARKING. REFER THE DRAWING.**

MARKING	FINISH	THICKNESS (mm)	NO OF POSN	PART NUMBER
9	TIN	14.0	4	3-284506-1
6	TIN	10.5	3	3-284506-0
8	TIN	10.5	3	2-284506-9
7	0.8 MICRON GOLD	10.5	3	2-284506-8
6	GOLD FLASH	24.5	7	2-284506-7
6	0.2 MICRON GOLD	42.0	12	2-284506-6
6	TIN	87.5	25	2-284506-5
	TIN	84.0	24	2-284506-4
	TIN	80.5	23	2-284506-3
	TIN	77.0	22	2-284506-2
	TIN	73.5	21	2-284506-1
	TIN	70.0	20	2-284506-0
	TIN	66.5	19	1-284506-9
	TIN	63.0	18	1-284506-8
	TIN	59.5	17	1-284506-7
	TIN	56.0	16	1-284506-6
	TIN	52.5	15	1-284506-5
	TIN	49.0	14	1-284506-4
	TIN	45.5	13	1-284506-3
	TIN	42.0	12	1-284506-2
	TIN	38.5	11	1-284506-1
	TIN	35.0	10	1-284506-0
	TIN	31.5	9	284506-9
	TIN	28.0	8	284506-8
	TIN	24.5	7	284506-7
	TIN	21.0	6	284506-6
	TIN	17.5	5	284506-5
	TIN	14.0	4	284506-4
	TIN	10.5	3	284506-3
	TIN	7.0	2	284506-2
	TERMINAL PLATING	A	NO OF POSN	PART NUMBER

THIS DRAWING IS A CONTROLLED DOCUMENT.

DIMENSIONS: mm	TOLERANCES UNLESS OTHERWISE SPECIFIED:	DWN: E. ZANDLIN 05FEB2002	TE Connectivity NAME: TERMINAL BLOCK PLUG STACKING 3.5mm PITCH SIZE: A2 CAGE CODE: 100779 DRAWING NO: C-284506 RESTRICTED TO:
	0 PLC ±	CHK: E. ZANDLIN 05FEB2002	
	1 PLC ±0.3	APVD: D. BIEVENOUR 05FEB2002	
	2 PLC ±0.25	PRODUCT SPEC: 108-20166	
	3 PLC ±	APPLICATION SPEC: 114-20079	SCALE: 5:1 SHEET: 1 OF 1 REV: C6
	4 PLC ±	WEIGHT: -	
MATERIAL: 1	FINISH: 1	CUSTOMER DRAWING	

Mouser Electronics

Authorized Distributor

Click to View Pricing, Inventory, Delivery & Lifecycle Information:

[TE Connectivity:](#)

[1-284506-1](#)