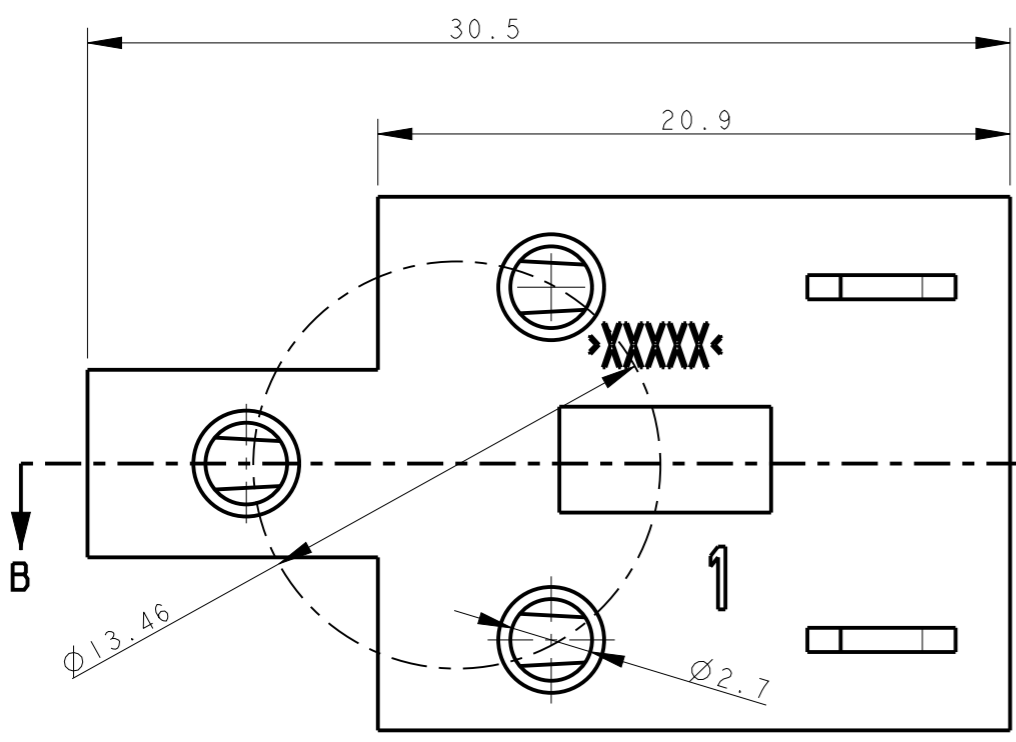
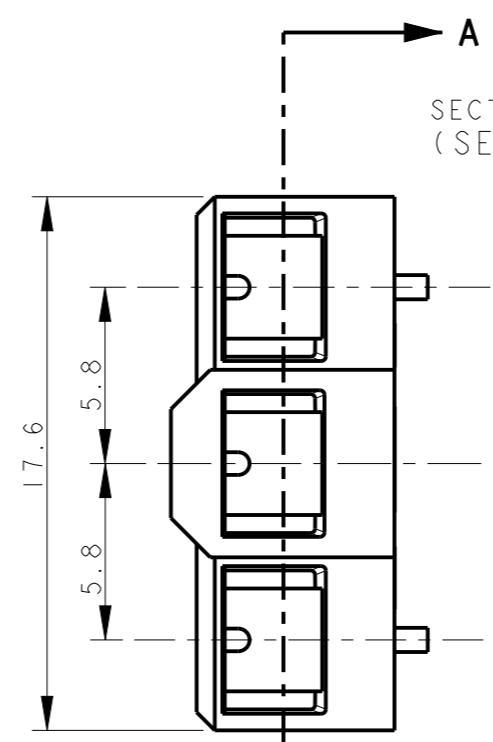


THIS DRAWING IS UNPUBLISHED. RELEASED FOR PUBLICATION  
 © COPYRIGHT 19 ALL RIGHTS RESERVED.

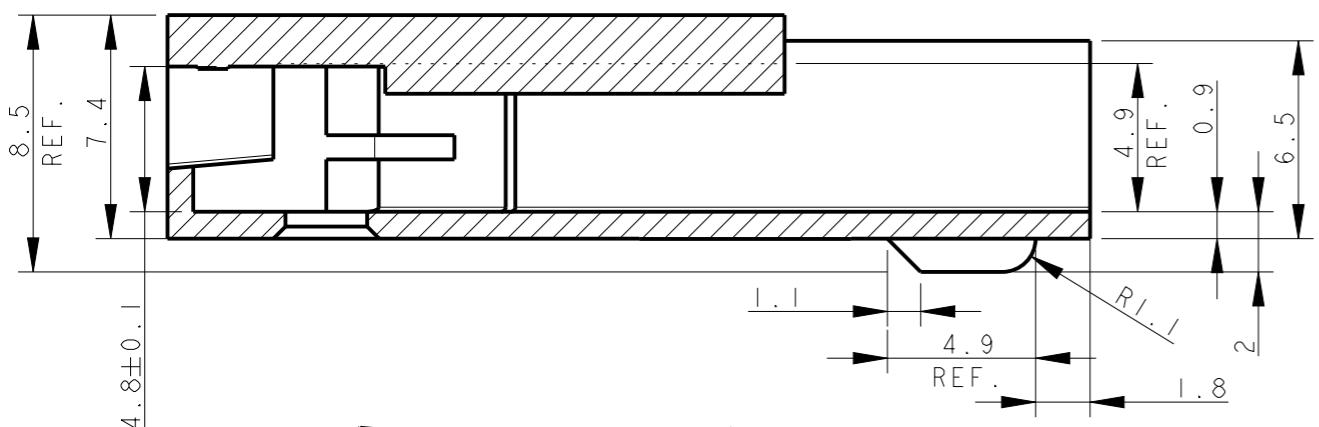
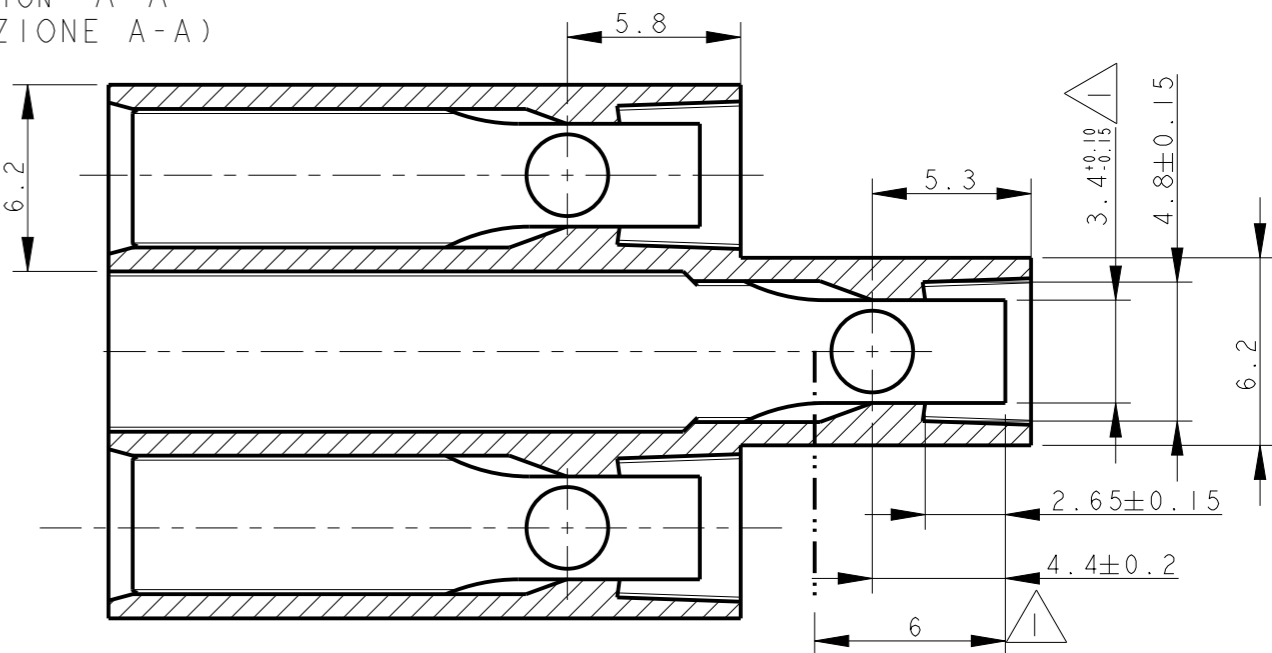
LOC	DIST	REVISIONS			
P	LTR	DESCRIPTION	DATE	DWN	APVD
		C2	NEW PN 9-284406-1 ADDED	29MAY2011	DMK RRP
		C3	REVISED AS PER ECR-13-019554	24DEC2013	MKD RRP
		C4	REVISED AS PER ECR-14-008454	06JUN2014	MKD RRP



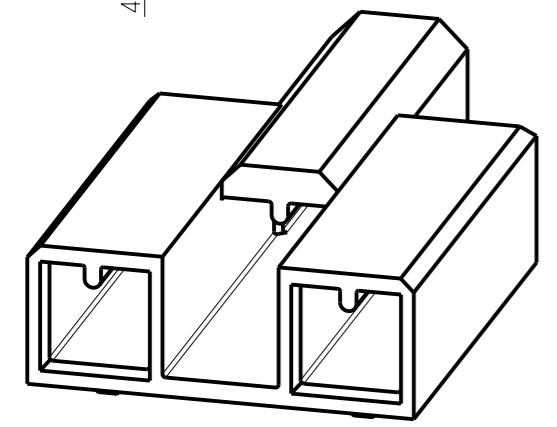
SECTION B-B  
(SEZIONE B-B)



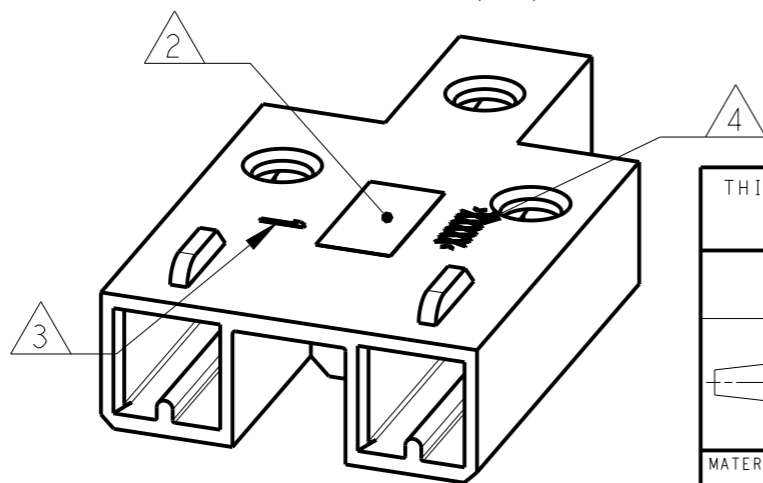
SECTION A-A  
(SEZIONE A-A)



- 1 3.4 DIM. MUST BE GUARANTEE FOR 6mm AS SHOWN,
- 2 LOCATION FOR TE LOGO
- 3 MOULD CAVITY ID. CODE
- 4 MATERIAL ID. CODE
- 5) HOUSING AS SHOWN IS SUITABLE FOR CONTACT P/N 284633-1
- 6 MATERIAL PA6 15%GF, GWT(Glow Wire Test) 750° C WITHOUT FLAME ACCORDING TO IEC-60695-2-11.
- 7 PRELIMINARY PART- NOT YET RELEASED FOR PRODUCTION



SCALE 3:1  
(SCALA 3:1)



SCALE 3:1  
(SCALA 3:1)

NATURAL	PBT GLASSFIBRE FILLED	284406-3
NATURAL	PBT GLASSFIBRE FILLED	284406-2 7
NATURAL	PA6 GF15% 6	9-284406-1 7
NATURAL	PBT 30% CARICATO VETRO (PBT GLASSFIBRE FILLED)	284406-1
<b>COLOUR</b> (COLORE)	<b>MATERIAL</b> (MATERIALE)	<b>PART NO</b>

THIS DRAWING IS A CONTROLLED DOCUMENT.		DWN	C. CORDOLA	16SEPT.99
DIMENSIONS: mm		CHK	C. CORDOLA	16SEPT.99
TOLERANCES UNLESS OTHERWISE SPECIFIED:		APVD	G. TURCO	16SEPT.99
0 PLC	± 0.5	PRODUCT SPEC	108-20033	
1 PLC	± 0.3	APPLICATION SPEC	-	
2 PLC	± 0.15	WEIGHT	-	
3 PLC	± -	CUSTOMER DRAWING		
4 PLC	± -			
ANGLES	± 2'			
MATERIAL	See table (vedi tabella)			
FINISH	-			

<b>STE</b> TE Connectivity			
NAME CLUSTER BLOCK REVERSE HOUSING .090 DIA			
SIZE	CAGE CODE	DRAWING NO	RESTRICTED TO
A3		C-284406	-
SCALE 4:1		SHEET 1 OF 1	REV C4

# Mouser Electronics

Authorized Distributor

Click to View Pricing, Inventory, Delivery & Lifecycle Information:

[TE Connectivity:](#)

[284406-3](#)