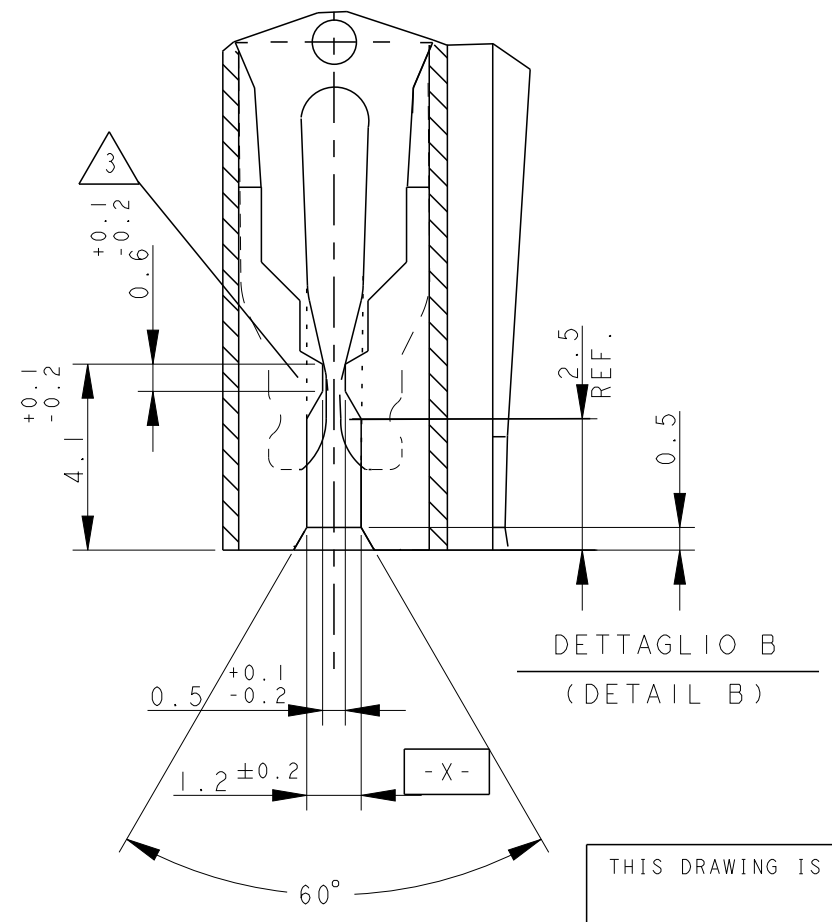
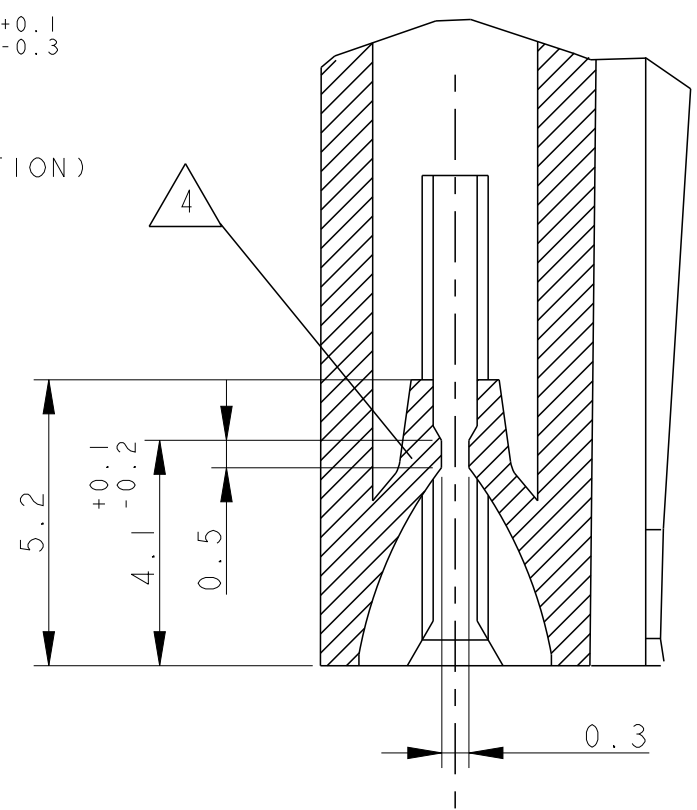
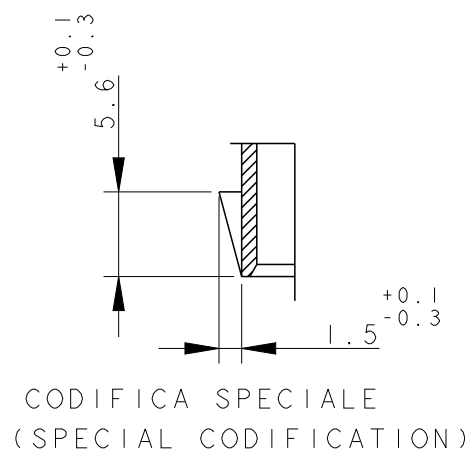
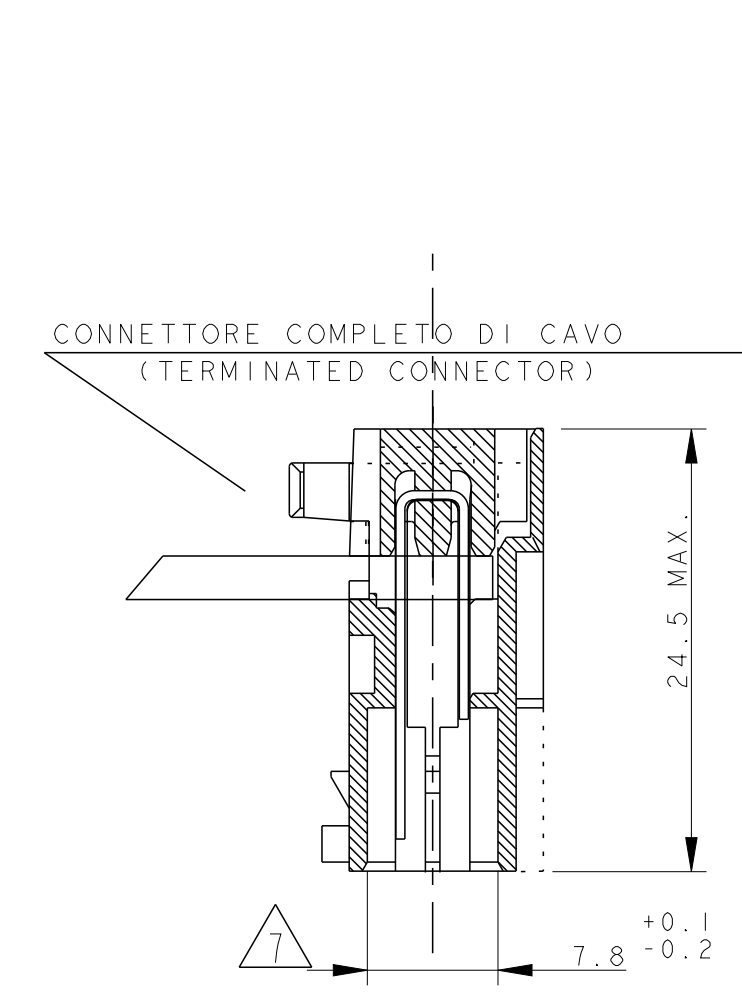
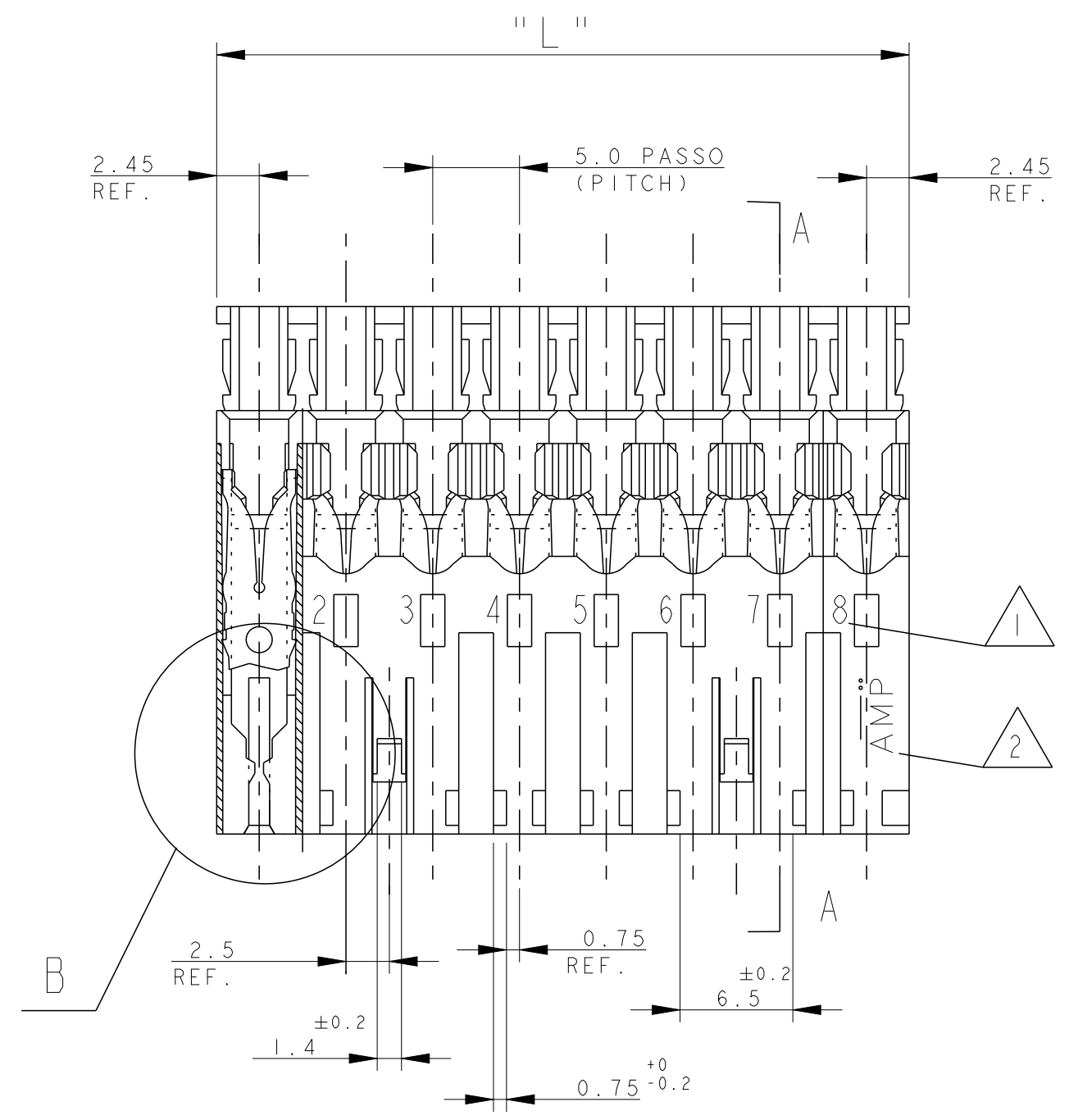
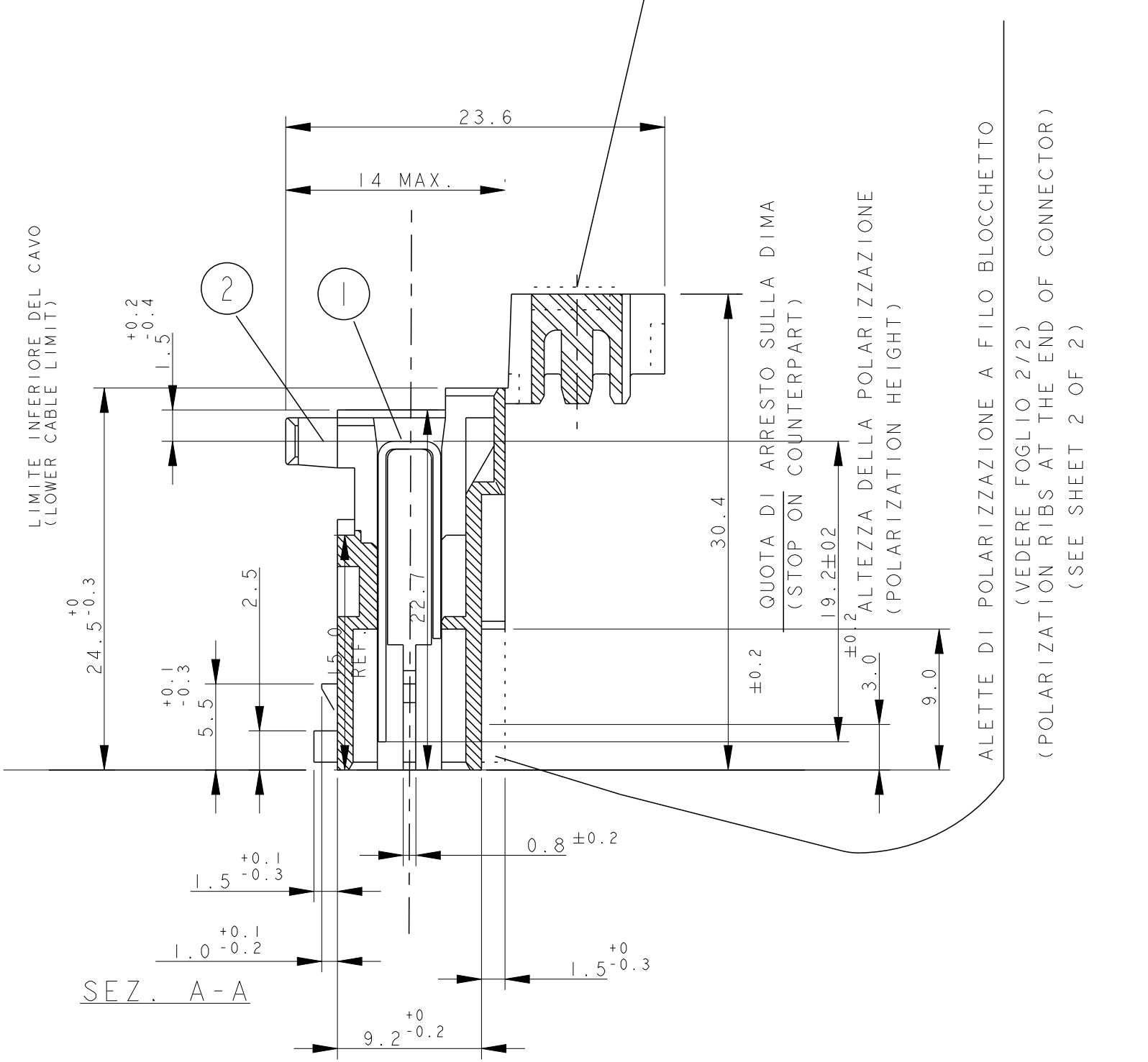


THIS DRAWING IS UNPUBLISHED. RELEASED FOR PUBLICATION 2014
 © COPYRIGHT 2014 BY - ALL RIGHTS RESERVED.

VISTE SOLO PER RIFERIMENTO
 VIEWS ONLY FOR REFERENCE

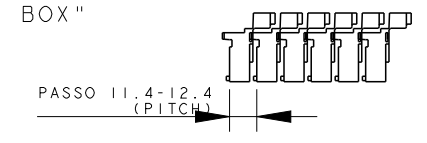
REVISIONS				
P	LTR	DESCRIPTION	DATE	APVD
D15		REVISED PER ECR-18-007068	11MAY2018	BDA MD
D16		REVISED PER ECR-18-019751	20DEC2018	BDA DC
D17		REVISED PER ECR-19-012208	05AUG2019	SM DC
D18		REVISED PER ECR-19-013580	30AUG2019	BDA DC

COLOR CODE STRIP ALLOCATO IN QUESTA AREA DEL COVER
 (COLOR CODE STRIP)
 (LOCATED ON THE COVER AS SHOWN)



- 1) NUMERI DI IDENTIFICAZIONE CAVITA' (CIRCUIT IDENTIFICATION)
- 2) MARCHIO DI FABBRICA (LIBERA POSIZIONE) (AMP LOGO FREE POSITION)
- 3) L'AGGANCIO PER LINGUETTA E' POSIZIONATO SOLO NELLA CAVITA' No.1 ED E' RICHIESTA SOLO SUI CONNETTORI A 2 E 3 POSIZIONI (RETENTION TOOTH IS REQUESTED FOR THE 2 AND 3 POS. ONLY; IT IS LOCATED ON THE CAVITY No.1 ONLY)
- 4) GEOMETRIA ALTERNATIVA DEL DENTINO DI AGGANCIO. VEDI NOTA 3 PER ALTRI DETTAGLI (ALTERNATIVE SHAPE FOR RETENTION THOOTH. SEE NOTE 3 FOR ADDITIONAL DETAILS)
- 5) PER QUESTI P-N LA POLARIZZAZIONE POSTERIORE DEVE INTENDERSI COMPLETA, A FINE BLOCCHETTO. (per la rappresentazione vedere foglio 1/2) (FOR THE INDICATE P.N'S THE POLARIZATION MUST BE AT THE END OF CONNECTOR)(see sheet 1 of 2).
- 6) - PART NUMBER NON IN PRODUZIONE (P/N. NOT YET RELEASED FOR PRODUCTION)
- 7) DIVENTA 6.5 PER LA CAVITA' N.RO 1 SOLO SUI CONNETTORI A 2,3 VIE. (BECOMES 6.5. FOR THE CAVITY NR.1 ON THE 2,3 POS. ONLY.)

- 9) PRODOTTO IDONEO SINO A 7A MAX, IN ACCORDO ALLA SPECIFICA DI PRODOTTO 108-20215 (PRODUCT SUITABLE UP TO 7A MAX, ACCORDING TO PRODUCT SPEC. 108-20215)
- 10) STATO DI FORNITURA: CONFEZIONAMENTO IN "VASSOI + SCATOLA" (PACKAGING: " ON TRAY PLUS CARTON BOX")



- 11) CONFEZIONAMENTO I:N BOBINA OBSOLETO (PACKAGING: "ON REEL" OBSOLETE)
- 12) OBSOLETE PARTS: OBSOLETE STREAMLINING PER D. RENAUD/ D. SINI
- 13) PRELIMINARY

2	HOUSING	NATURAL	PA GF
1	CONTATTO (CONTACT)	STAGNATO (TIN-PLATED)	OTTONE (BRASS)
ITEM	DENOMINAZIONE (DESCRIPTION)	FINITURA / COLORE (FINISH / COLOUR)	MATERIALE (MATERIAL)

THIS DRAWING IS A CONTROLLED DOCUMENT.		DWN COLOMBO 07MAY99	 TE Connectivity	NAME AMP MONO-SHAPE L.I.F TAB CONNECTORS 2-10 POS
DIMENSIONS: mm		CHK C TARTARI 07MAY99		
TOLERANCES UNLESS OTHERWISE SPECIFIED:		APVD G TURCO 07MAY99		
0 PLC ± 0.3 1 PLC ± 2 PLC ± 3 PLC ± 4 PLC ±		PRODUCT SPEC 108-20215		
MATERIAL SEE TABLE		FINISH ±2°	APPLICATION SPEC 114-20016	RESTRICTED TO
		WEIGHT	SIZE A2	CAGE CODE 07779
		CUSTOMER DRAWING	DRAWING NO C-284338	SCALE
			SHEET 1 OF 4	REV D18

4

3

2

1

THIS DRAWING IS UNPUBLISHED. RELEASED FOR PUBLICATION 2014
 © COPYRIGHT 2014 BY - ALL RIGHTS RESERVED.

REVISIONS				
P	LTR	DESCRIPTION	DATE	APVD
-	-	SEE SHEET 1	-	-

AMP PART NUMBERS
ASS'Y CONN

NUMERO DI VIE	CONFIGURAZIONE (Vista connettore dall'alto) ①	VERSIONE PEZZI IN VASSOIO	REV.	VERSIONE PEZZI SCIOLTI	REV.	POSIZIONE POLARIZ. (LATO POSTERIORE)	POSIZIONE AGGANCI O (LATO ANTERIORE)	POSIZIONE CODIFICA PARTICOLARE (LATO ANTERIORE)	+0.2 -0.3 (mm)	NOTE MARCHIATURA CON BANDA COLORATA	CODICI RAST 5 RICAVABILI
NO. OF POS.	CONFIGURATION (View from top side) ①	ON TRAY PACKAGING VERSION	PART REV.	LOOSE PIECES PACKAGING VERSION	PART REV.	POLARIZ. POSITION (BACK SIDE)	LOCKING POSITION (FRONT SIDE)	SPECIAL CODIFICATION POSITION (FRONT SIDE)	+0.2 -0.3 (mm)	NOTE STRIP COLOUR	RAST 5 OBTAINABLE CODE
2		1-284338-1	C	2-284338-1	C	2S	1-2	-	9.9	NERO BLACK	02-C
2		1-284338-2	C	2-284338-2	C	1S 2D	1-2	-	9.9	-	02-B 02-E 02-F
2		1-284338-3	D	2-284338-3	D	2D	1-2	-	9.9	ROSSO RED	02-L
2		1-284338-4	C	-	-	1D 2S	1-2	-	9.9	BLU BLUE	02-A
2		1-284338-7	C	-	-	-	1-2	-	9.9	-	-
3		1-284339-1	C	2-284339-1	C	1D	1-2	-	14.9	ARANCIO ORANGE	03-A 03-I
3		1-284339-2	C	2-284339-2	C	2D 3D	2-3	-	14.9	BLU BLUE	03-B
3		1-284339-3	C	2-284339-3	C	1S 3D	1-2	-	14.9	VERDE GREEN	03-F
3		1-284339-4	C	2-284339-4	C	2D 3D	2-3	-	14.9	ROSSO RED	03-B
3		1-284339-5	C	2-284339-5	C	2D 3D	2-3	-	14.9	-	03-B
4		0-293140-1	A	-	-	3D	2-3	-	19.9	-	-
5		0-293141-1	A	-	-	4D	4-5	-	24.9	-	-
5		0-293141-2	A	-	-	1S 5D	-	3D	24.9	NERO BLACK	-
6		0-293142-1	A	-	-	3D 5D	-	5S	29.9	NERO BLACK	-
7		0-293143-1	A	-	-	4D 6D	-	6S	34.9	VIOLA VIOLET	-
7		0-293143-2	I	-	-	-	1-2 5-6	-	34.9	-	-
7		293143-3	D	-	-	1S 6D	-	4D	34.9	-	-
8		1-284685-1	C	2-284685-1	C	2D-4D 6S-6D	-	4S	39.9	-	-
8		1-284685-2	D	-	-	1S	1-2	4D	39.9	VIOLET	-
10		1-284686-1	C	2-284686-1	C	6D-8S	4-5 8-9	6S	49.9	-	-

VISTE SOLO PER RIFERIMENTO
VIEWS ONLY FOR REFERENCE

LEGENDA
(DESCRIPTION)

① AMP MONO-SHAPE, TAB CONNECTORS
(ESEMPIO DI CONFIGURAZIONE)
(EXAMPLE OF CONFIGURATION)

THIS DRAWING IS A CONTROLLED DOCUMENT.		DWN COLOMBO 07MAY99	 TE Connectivity
DIMENSIONS: mm		CHK C. TARTARI 07MAY99	
TOLERANCES UNLESS OTHERWISE SPECIFIED: 0 PLC ± 1 PLC ± 2 PLC ± 3 PLC ± 4 PLC ± ANGLES ±2°		APVD G. TURCO 07MAY99	
MATERIAL SEE TABLE		PRODUCT SPEC 108-20215	
CUSTOMER DRAWING		APPLICATION SPEC 114-20016	NAME AMP MONO-SHAPE L.I.F TAB CONNECTORS 2-10 POS
SCALE -		WEIGHT	SIZE CAGE CODE DRAWING NO A200779C-284338
SHEET 2 OF 4		REV D 18	RESTRICTED TO

1471-9 (3/13)

THIS DRAWING IS UNPUBLISHED. RELEASED FOR PUBLICATION 2014
 © COPYRIGHT 2014 BY - ALL RIGHTS RESERVED.

REVISIONS				
P	LTR	DESCRIPTION	DATE	APVD
	~	SEE SHEET 1	-	--

PA GF, UL-V0 GWEPT 750°C NO FLAME, NATURAL

ON TRAY VERSION


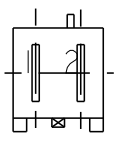

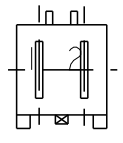

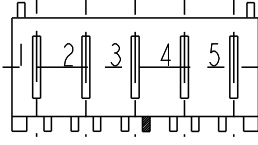
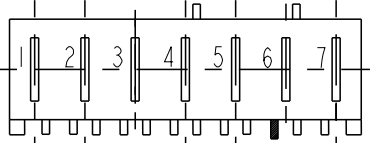
No. OF POS	CONFIGURATION (SEE TYP. SECT. ONLY FOR REF.)	P/N ASS'Y 8	PART REV.	POLARIZ. POSITION (BACK SIDE)	LOCKING POSITION (FRONT SIDE)	SPECIAL CODIFICAT. POSITION (FRONT SIDE)	L (mm)	NOTE MARCHIATURA CON BANDA COLORATA	CODICI RAST 5 RICAVABILI
13 2		2293392-2	I	-	-	-	9.9	-	-
13 3		2293392-3	I	-	-	-	14.9	-	-
13 4		2293392-4	I	-	-	-	19.9	-	-
13 5		2293392-5	I	-	-	-	24.9	-	-
13 6		2293392-6	I	-	-	-	29.9	-	-
7		2293392-7	D	-	1-2 5-6	-	34.9	-	-
7		1-2293392-7	D	-	1-2 5-6	5S	34.9	-	-
7		2-2293392-7	D	1S 6D	-	4D	34.9	-	-
13 8		2293392-8	I	-	-	-	39.9	-	-
13 9		2293392-9	I	-	-	-	44.9	-	-
13 10		1-2293392-0	I	6D 8S	4-5 8-9	6S	49.9	-	-


THIS DRAWING IS A CONTROLLED DOCUMENT.		DWN COLOMBO 07MAY99	 TE Connectivity
DIMENSIONS: mm		CHK C. TARTARI 07MAY99	
		APVD G. TURCO 07MAY99	
TOLERANCES UNLESS OTHERWISE SPECIFIED:		PRODUCT SPEC 108-20215	NAME AMP MONO-SHAPE L.I.F TAB CONNECTORS 2-10 POS
0 PLC ±		APPLICATION SPEC 114-20016	SIZE CAGE CODE DRAWING NO RESTRICTED TO
1 PLC ±		WEIGHT	A200779 C-284338
2 PLC ±		CUSTOMER DRAWING	SCALE SHEET 3 OF 4 REV D18
3 PLC ±			
4 PLC ±			
ANGLES ±2°			
FINISH			
MATERIAL SEE TABLE			
SEE TABLE			

THIS DRAWING IS UNPUBLISHED. RELEASED FOR PUBLICATION 2014
 © COPYRIGHT 2014 BY - ALL RIGHTS RESERVED.

REVISIONS				
P	LTR	DESCRIPTION	DATE	APVD
-		SEE SHEET 1	-	-

SPECIAL VERSION WITH NATURAL COLORED RESIN

No. OF POS	CONFIGURATION (View from top side) 	ON TRAY PACKAGING VERSION	SIMILAR PN WITH SAME POLARIZATION	POLARIZ. POSITION (BACK SIDE)	LOCKING POSITION (FRONT SIDE)	SPECIAL CODIFICATION POSITION (FRONT SIDE)	+0.2 L-0.3 (mm)	NOTE STRIP COLOUR	RAST 5 OBTAINABLE CODE
2		5-2301868-3	1-284338-1	2S 	1-2	-	9.9	GREY	02-C
2		5-2301868-4	1-284338-4	1D 2S 	1-2	-	9.9	GREY	02-A
5		5-2301868-5	293141-2	1S 5D	-	3D	24.9	GREY	-
7		5-2301868-0	293143-1	4D 6D	-	6S	34.9	GREY	-

THIS DRAWING IS A CONTROLLED DOCUMENT.		DWN COLOMBO	07MAY99	 TE Connectivity	
DIMENSIONS: mm		CHK C. TARTARI	07MAY99		
TOLERANCES UNLESS OTHERWISE SPECIFIED:		APVD G. TURCO	07MAY99	NAME AMP MONO-SHAPE L.I.F TAB CONNECTORS 2-10 POS	
0 PLC ±		PRODUCT SPEC		SIZE	
1 PLC ±		108-20215		CAGE CODE	
2 PLC ±		APPLICATION SPEC		DRAWING NO	
3 PLC ±		114-20016		RESTRICTED TO	
4 PLC ±		WEIGHT		A200779	
ANGLES ±2°		CUSTOMER DRAWING		SCALE - SHEET 4 OF 4	
FINISH				REV D 18	

Mouser Electronics

Authorized Distributor

Click to View Pricing, Inventory, Delivery & Lifecycle Information:

[TE Connectivity:](#)

[1-284338-2](#)