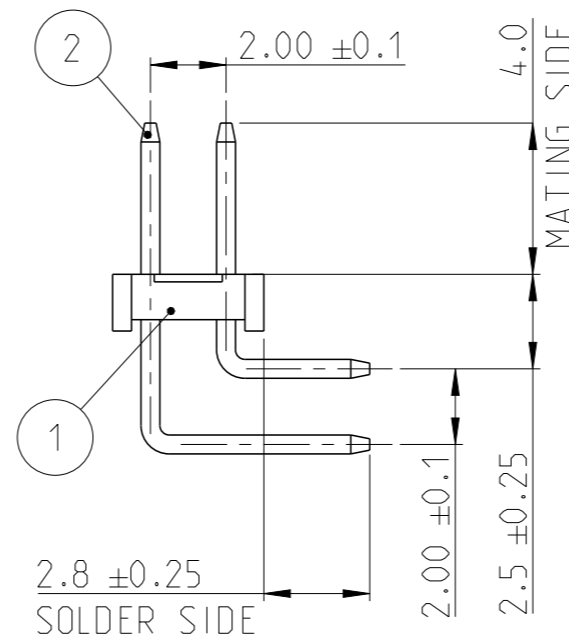
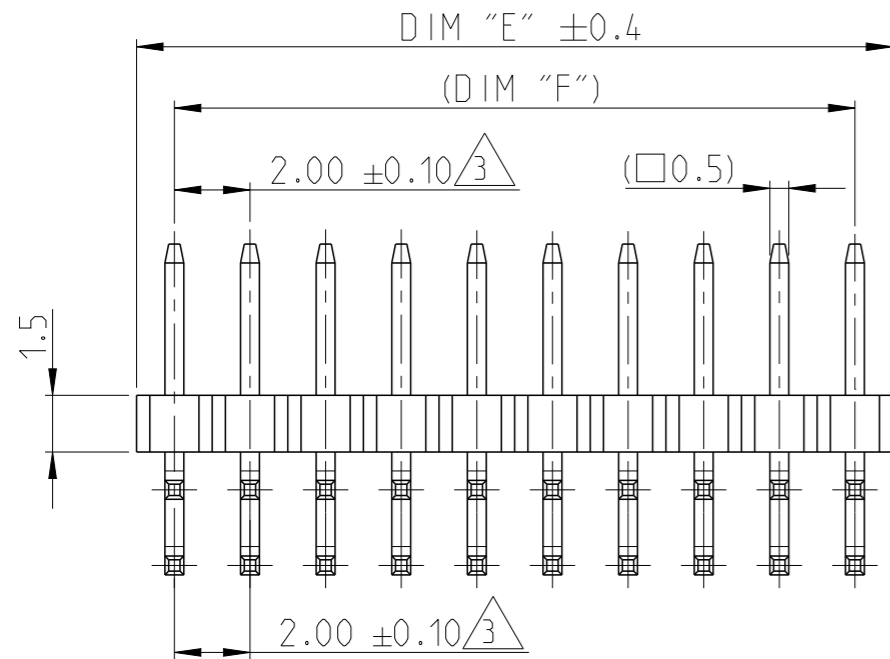
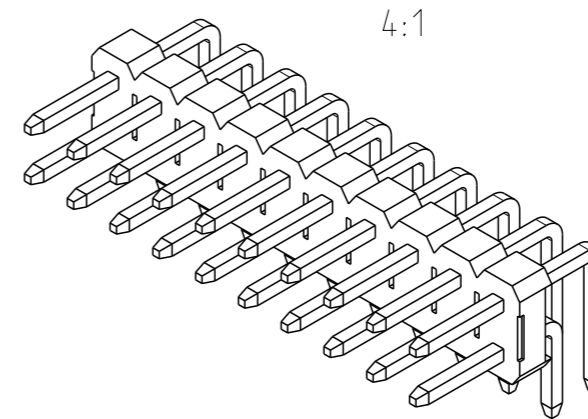
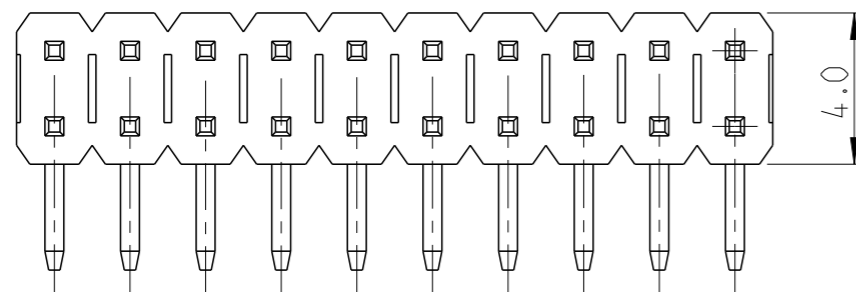


| P | LTR | DESCRIPTION | DATE | DWN | APVD |
|----|-----|------------------------------|-----------|-----|------|
| A | | PRODUCTION RELEASE | 30AUG2019 | SS | PS |
| A1 | | REMOVED TOLERANCE FROM DIM F | 18DEC2019 | AY | PS |



NOTES:

- MATERIAL
HOUSING : HIGH TEMPERATURE THERMOPLASTIC, UL94-V0; COLOR- BLACK
CONTACT PIN : COPPER ALLOY
FINISH :
MATING SIDE : MIN. 0.38 μm GOLD OVER NICKEL UNDER PLATING.
SOLDER SIDE : MIN. 2.0 μm BRIGHT TIN OVER NICKEL UNDER PLATING.
- PACKAGING: BULK PACK.
- TOLERANCE NOT CUMULATIVE.
- CUTTING BURR MAX. 0.25 mm



| 48.0 | 50.0 | 25 | 2-2842163-5 |
|---------|---------|--------------|-------------|
| 46.0 | 48.0 | 24 | 2-2842163-4 |
| 44.0 | 46.0 | 23 | 2-2842163-3 |
| 42.0 | 44.0 | 22 | 2-2842163-2 |
| 40.0 | 42.0 | 21 | 2-2842163-1 |
| 38.0 | 40.0 | 20 | 2-2842163-0 |
| 36.0 | 38.0 | 19 | 1-2842163-9 |
| 34.0 | 36.0 | 18 | 1-2842163-8 |
| 32.0 | 34.0 | 17 | 1-2842163-7 |
| 30.0 | 32.0 | 16 | 1-2842163-6 |
| 28.0 | 30.0 | 15 | 1-2842163-5 |
| 26.0 | 28.0 | 14 | 1-2842163-4 |
| 24.0 | 26.0 | 13 | 1-2842163-3 |
| 22.0 | 24.0 | 12 | 1-2842163-2 |
| 20.0 | 22.0 | 11 | 1-2842163-1 |
| 18.0 | 20.0 | 10 | 1-2842163-0 |
| 16.0 | 18.0 | 9 | 2842163-9 |
| 14.0 | 16.0 | 8 | 2842163-8 |
| 12.0 | 14.0 | 7 | 2842163-7 |
| 10.0 | 12.0 | 6 | 2842163-6 |
| 8.0 | 10.0 | 5 | 2842163-5 |
| 6.0 | 8.0 | 4 | 2842163-4 |
| 4.0 | 6.0 | 3 | 2842163-3 |
| 2.0 | 4.0 | 2 | 2842163-2 |
| DIM "F" | DIM "E" | POS. PER ROW | TE PN |

1-2842163-0 AS SHOWN

| CONTACT PIN | 2 |
|-------------|----------|
| HOUSING | 1 |
| DESCRIPTION | ITEM NO. |

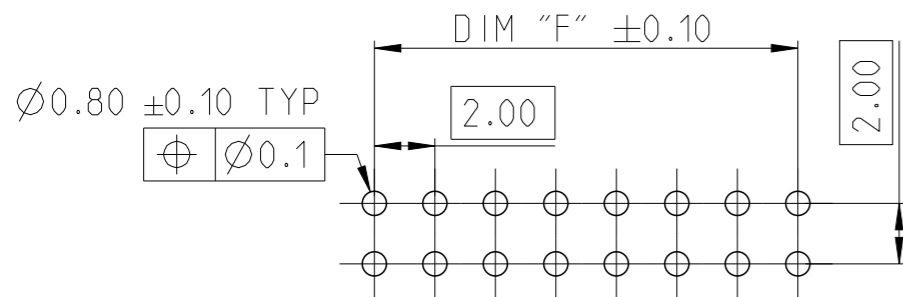
| | | |
|--|------------------|-------------------------------|
| THIS DRAWING IS A CONTROLLED DOCUMENT. | | DWN 08AUG2019 SUBHASREE S |
| DIMENSIONS: mm | | CHK 13AUG2019 KARTHIK JK |
| TOLERANCES UNLESS OTHERWISE SPECIFIED: | | APVD 14AUG2019 PRASHANTH S |
| 0 PLC ± | ±0.2 | PRODUCT SPEC 108-64040 |
| 1 PLC ± | ±0.15 | APPLICATION SPEC 114-32259 |
| 2 PLC ± | ± | WEIGHT - |
| 3 PLC ± | ± | |
| 4 PLC ± | ± | |
| ANGLES ±° | ±2° | |
| MATERIAL SEE NOTES | FINISH SEE NOTES | |



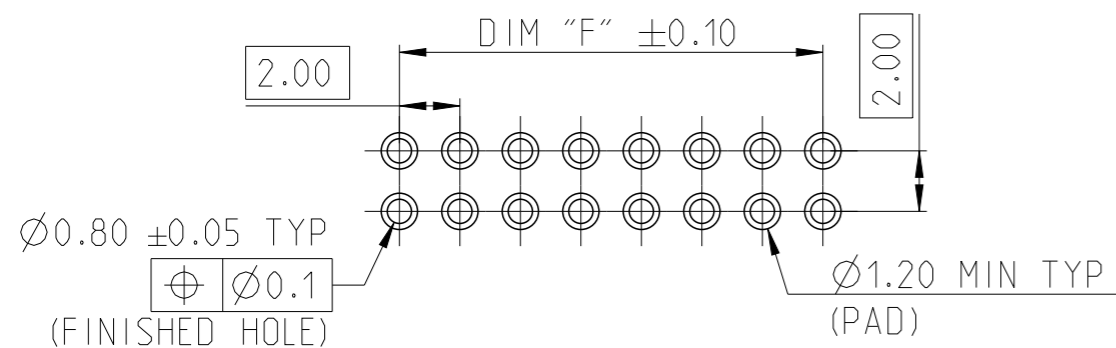
NAME AMPMODU 2mm BREAKAWAY HEADER, DUAL ROW, RIGHT ANGLE, 0.38 Au, BULK

| | | | |
|---------|-----------------|----------------------|-----------------|
| SIZE A3 | CAGE CODE 00779 | DRAWING NO C-2842163 | RESTRICTED TO - |
|---------|-----------------|----------------------|-----------------|

| | | | |
|------------------|-----------|--------------|--------|
| CUSTOMER DRAWING | SCALE 5:1 | SHEET 1 OF 1 | REV A1 |
|------------------|-----------|--------------|--------|



RECOMMENDED PCB HOLE PATTERN FOR THROUGH HOLE WAVE



RECOMMENDED PCB HOLE PATTERN FOR THROUGH HOLE REFLOW/PIN-IN-PASTE

Mouser Electronics

Authorized Distributor

Click to View Pricing, Inventory, Delivery & Lifecycle Information:

[TE Connectivity:](#)

[2842163-7](#)