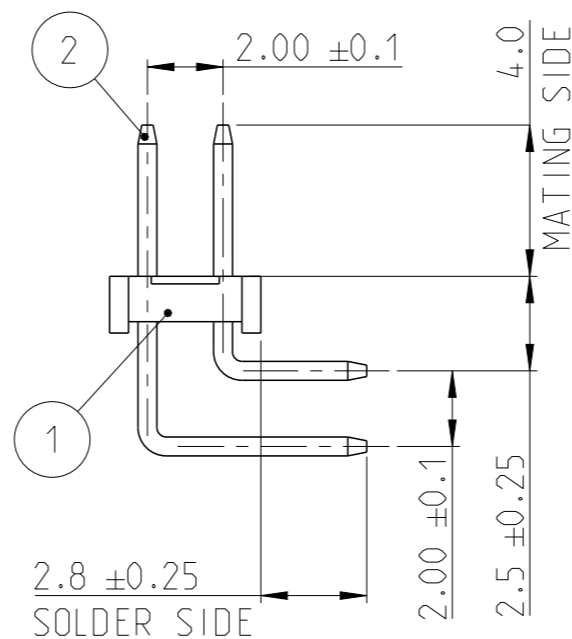
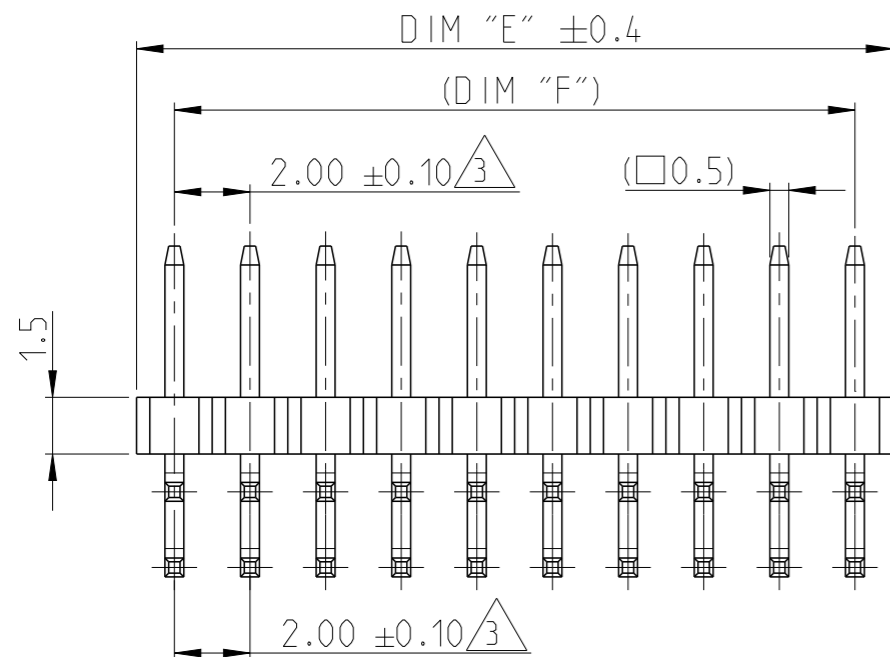
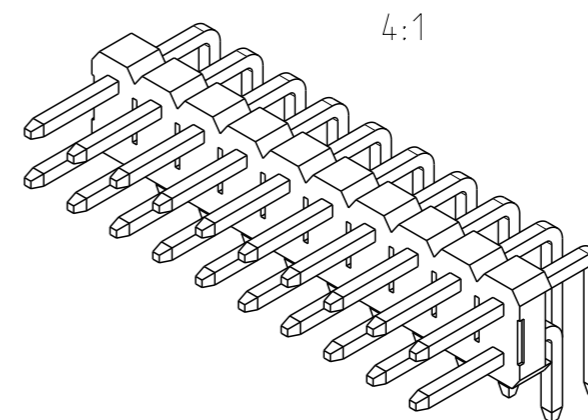
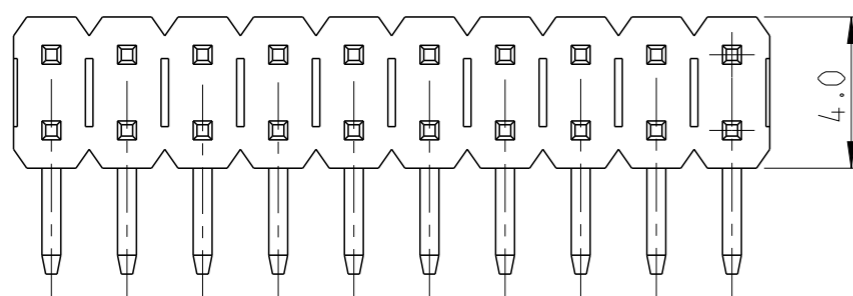


P	LTR	DESCRIPTION	DATE	DWN	APVD
A		PRODUCTION RELEASE	30AUG2019	SS	PS
A1		REMOVED TOLERANCE FROM DIM F	18DEC2019	AY	PS

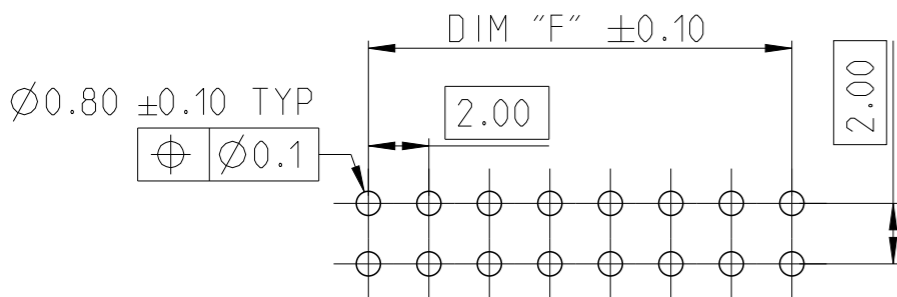


NOTES:

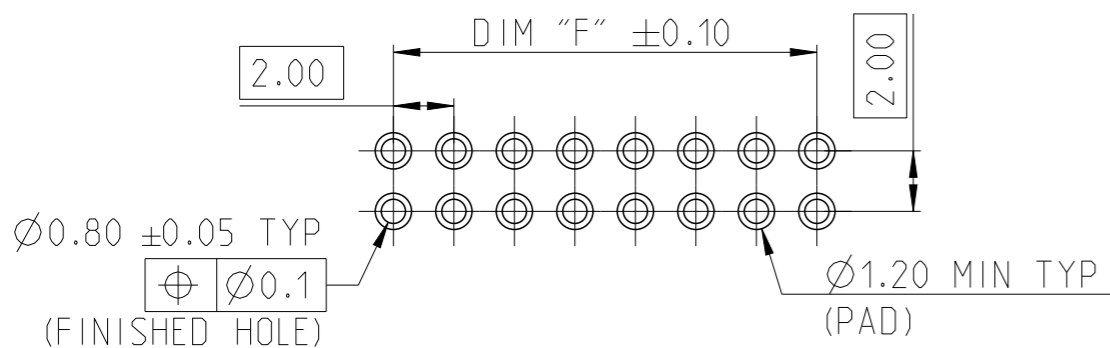
- MATERIAL  
HOUSING : HIGH TEMPERATURE THERMOPLASTIC, UL94-V0; COLOR- BLACK  
CONTACT PIN : COPPER ALLOY  
FINISH :  
MATING SIDE : MIN. 0.1 μm GOLD OVER NICKEL UNDER PLATING.  
SOLDER SIDE : MIN. 2.0 μm BRIGHT TIN OVER NICKEL UNDER PLATING.
- PACKAGING: BULK PACK.
- TOLERANCE NOT CUMULATIVE.
- CUTTING BURR MAX. 0.25 mm



48.0	50.0	25	2-2842162-5
46.0	48.0	24	2-2842162-4
44.0	46.0	23	2-2842162-3
42.0	44.0	22	2-2842162-2
40.0	42.0	21	2-2842162-1
38.0	40.0	20	2-2842162-0
36.0	38.0	19	1-2842162-9
34.0	36.0	18	1-2842162-8
32.0	34.0	17	1-2842162-7
30.0	32.0	16	1-2842162-6
28.0	30.0	15	1-2842162-5
26.0	28.0	14	1-2842162-4
24.0	26.0	13	1-2842162-3
22.0	24.0	12	1-2842162-2
20.0	22.0	11	1-2842162-1
18.0	20.0	10	1-2842162-0
16.0	18.0	9	2842162-9
14.0	16.0	8	2842162-8
12.0	14.0	7	2842162-7
10.0	12.0	6	2842162-6
8.0	10.0	5	2842162-5
6.0	8.0	4	2842162-4
4.0	6.0	3	2842162-3
2.0	4.0	2	2842162-2



RECOMMENDED PCB HOLE PATTERN FOR THROUGH HOLE WAVE



RECOMMENDED PCB HOLE PATTERN FOR THROUGH HOLE REFLOW /PIN-IN-PASTE

1-2842162-0 AS SHOWN

CONTACT PIN	2
HOUSING	1
<b>DESCRIPTION</b>	<b>ITEM NO.</b>

THIS DRAWING IS A CONTROLLED DOCUMENT.		DWN 08AUG2019 SUBHASREE S
DIMENSIONS: mm		CHK 13AUG2019 KARTHIK JK
TOLERANCES UNLESS OTHERWISE SPECIFIED:		APVD 14AUG2019 PRASHANTH S
0 PLC ±	±0.2	PRODUCT SPEC 108-64040
1 PLC ±	±0.15	APPLICATION SPEC 114-32259
2 PLC ±	±	WEIGHT -
3 PLC ±	±	
4 PLC ±	±	
ANGLES ±°	±2°	
MATERIAL SEE NOTES	FINISH SEE NOTES	



NAME AMPMODU 2mm BREAKAWAY HEADER, DUAL ROW, RIGHT ANGLE, 0.1 Au, BULK

SIZE A3	CAGE CODE 00779	DRAWING NO C-2842162	RESTRICTED TO -
---------	-----------------	----------------------	-----------------

CUSTOMER DRAWING	SCALE 5:1	SHEET 1 OF 1	REV A1
------------------	-----------	--------------	--------

# Mouser Electronics

Authorized Distributor

Click to View Pricing, Inventory, Delivery & Lifecycle Information:

[TE Connectivity:](#)

[2842162-2](#)