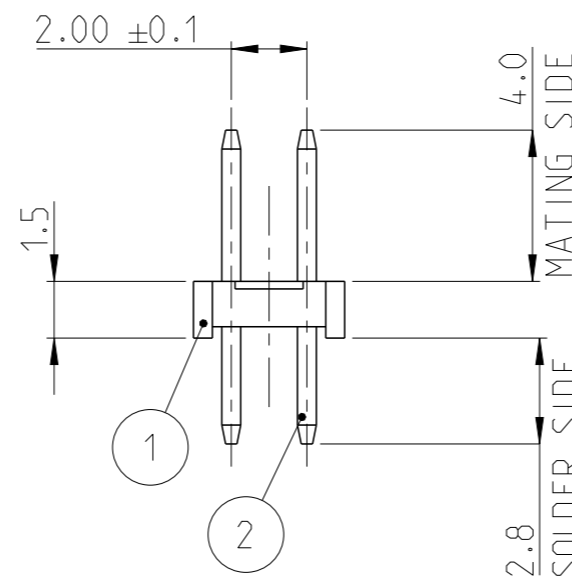
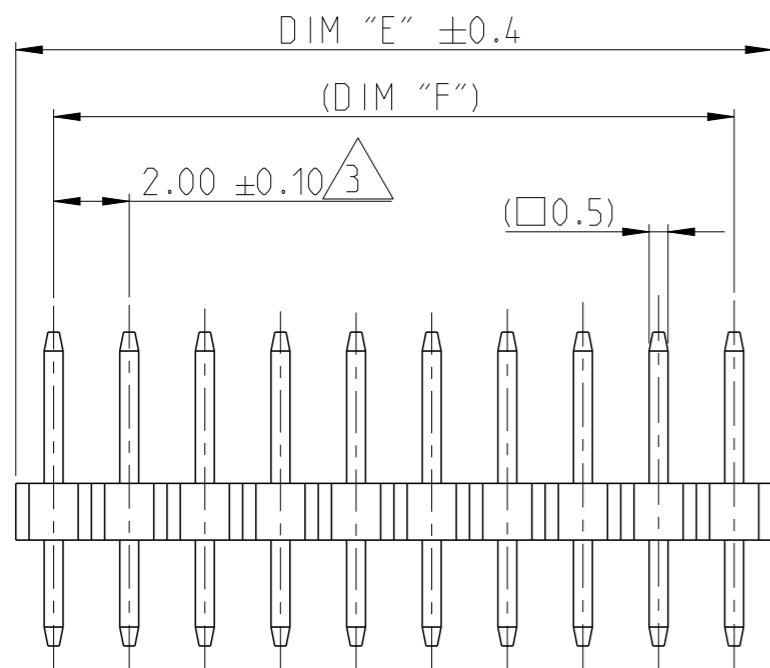
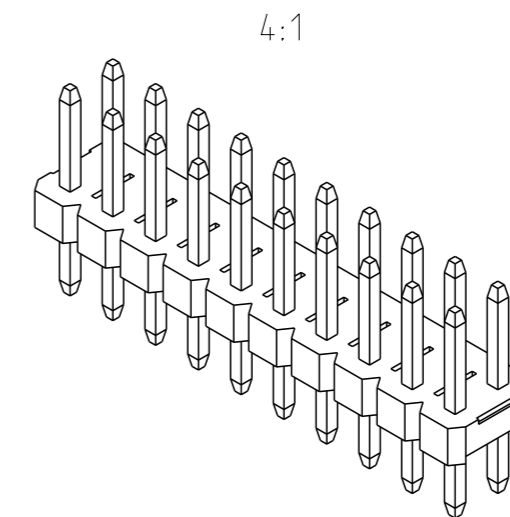
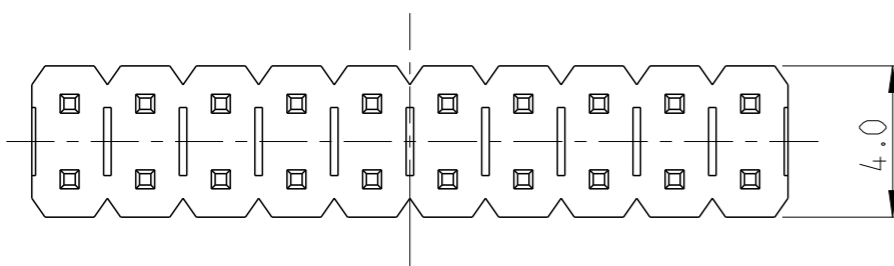


P	LTR	DESCRIPTION	DATE	DWN	APVD
A		PRODUCTION RELEASE	30AUG2019	SS	PS
A1		REMOVED TOLERANCE FROM DIM F	18DEC2019	AY	PS

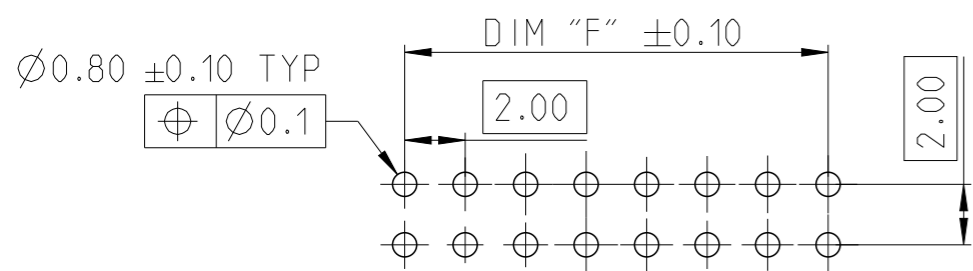


NOTES:

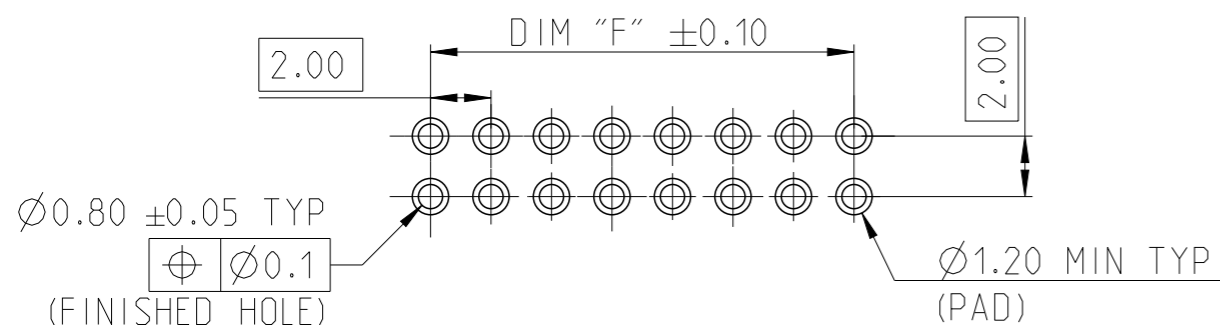
- MATERIAL  
HOUSING : HIGH TEMPERATURE THERMOPLASTIC, UL94-V0; COLOR- BLACK  
CONTACT PIN : COPPER ALLOY  
FINISH :  
MATING SIDE : MIN. 0.38 μm GOLD OVER NICKEL UNDER PLATING.  
SOLDER SIDE : MIN. 2.0 μm BRIGHT TIN OVER NICKEL UNDER PLATING.
- PACKAGING: BULK PACK.
- TOLERANCE NOT CUMULATIVE.
- CUTTING BURR MAX. 0.25 mm.



DIM "F"	DIM "E"	POS. PER ROW	TE PN
48.0	50.0	25	2-2842139-5
46.0	48.0	24	2-2842139-4
44.0	46.0	23	2-2842139-3
42.0	44.0	22	2-2842139-2
40.0	42.0	21	2-2842139-1
38.0	40.0	20	2-2842139-0
36.0	38.0	19	1-2842139-9
34.0	36.0	18	1-2842139-8
32.0	34.0	17	1-2842139-7
30.0	32.0	16	1-2842139-6
28.0	30.0	15	1-2842139-5
26.0	28.0	14	1-2842139-4
24.0	26.0	13	1-2842139-3
22.0	24.0	12	1-2842139-2
20.0	22.0	11	1-2842139-1
18.0	20.0	10	1-2842139-0
16.0	18.0	9	2842139-9
14.0	16.0	8	2842139-8
12.0	14.0	7	2842139-7
10.0	12.0	6	2842139-6
8.0	10.0	5	2842139-5
6.0	8.0	4	2842139-4
4.0	6.0	3	2842139-3
2.0	4.0	2	2842139-2



RECOMMENDED PCB HOLE PATTERN FOR THROUGH HOLE WAVE



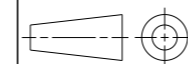
RECOMMENDED PCB HOLE PATTERN FOR THROUGH HOLE REFLOW/PIN-IN-PASTE

1-2842139-0 AS SHOWN

DESCRIPTION	ITEM NO.
CONTACT PIN	2
HOUSING	1

THIS DRAWING IS A CONTROLLED DOCUMENT.

DIMENSIONS: mm



MATERIAL SEE NOTES

TOLERANCES UNLESS OTHERWISE SPECIFIED:

- 0 PLC ±0.2
- 1 PLC ±0.15
- 2 PLC ±0.15
- 3 PLC ±0.15
- 4 PLC ±0.15
- ANGLES ±2°

FINISH SEE NOTES

DWN SUBHASREE S 06AUG2019

CHK KARTHIK JK 08AUG2019

APVD PRASHANTH S 09AUG2019

PRODUCT SPEC 108-64040

APPLICATION SPEC 114-32259

WEIGHT -

CUSTOMER DRAWING

NAME AMPMODU 2mm BREAKAWAY HEADER, DUAL ROW, VERTICAL, 0.38 Au, BULK

SIZE	CAGE CODE	DRAWING NO	RESTRICTED TO
A3	00779	C=2842139	-



# Mouser Electronics

Authorized Distributor

Click to View Pricing, Inventory, Delivery & Lifecycle Information:

[TE Connectivity:](#)

[2842139-3](#)