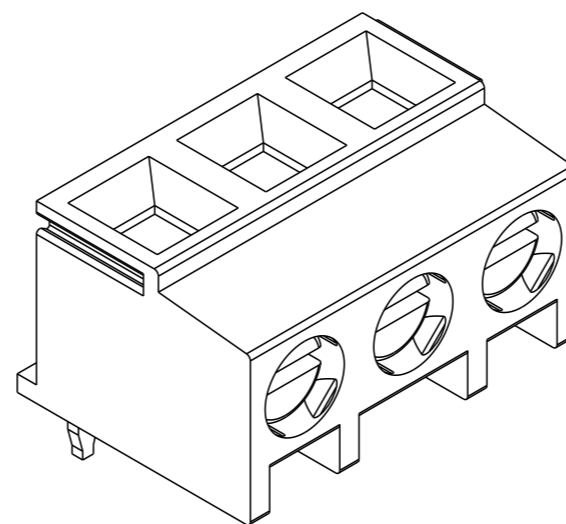
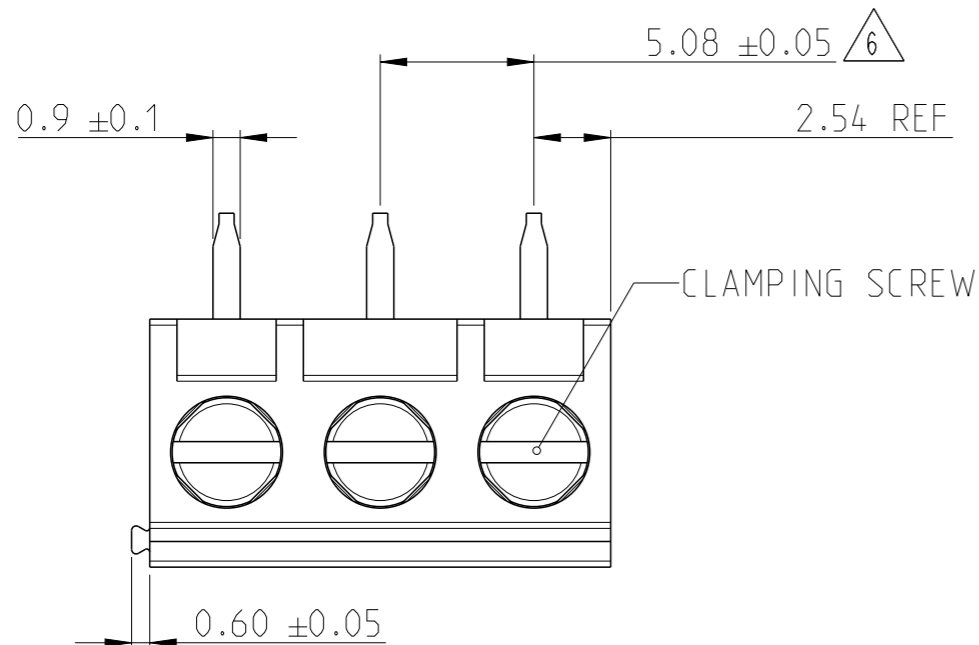


THIS DRAWING IS UNPUBLISHED. RELEASED FOR PUBLICATION 20  
 © COPYRIGHT 20 BY - ALL RIGHTS RESERVED.

REVISIONS

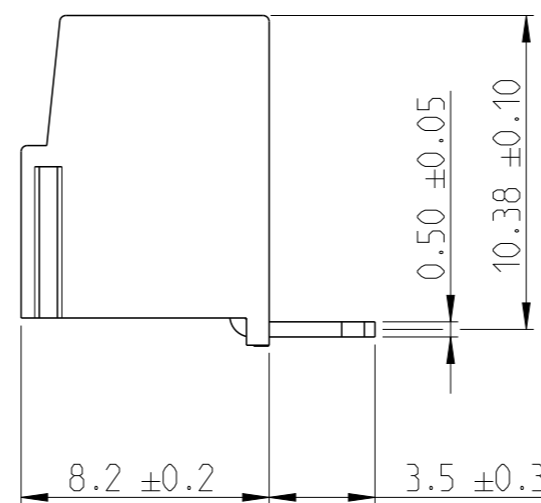
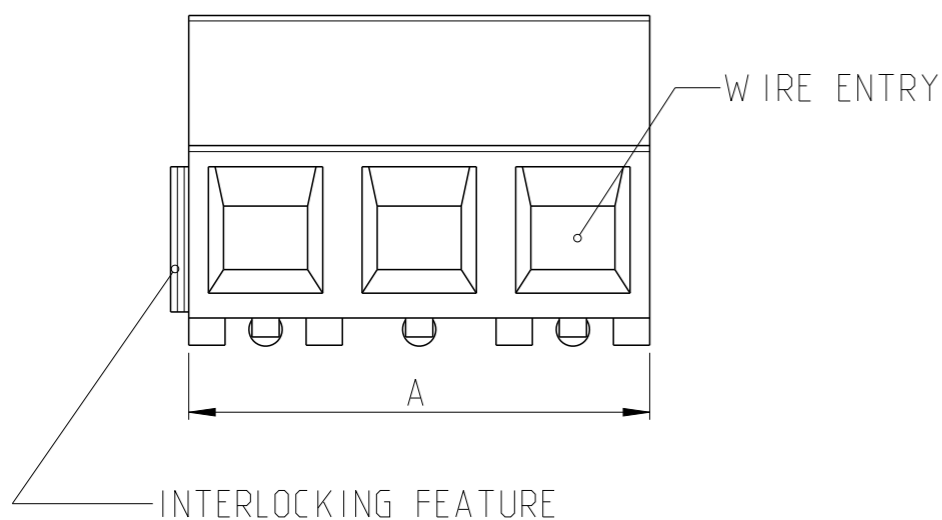
P	LTR	DESCRIPTION	DATE	DWN	APVD
	E	PACKAGING CHANGED FROM BLACK POLYURETHANE SPONGE TO TRAY	29MAR2018	RK	PS



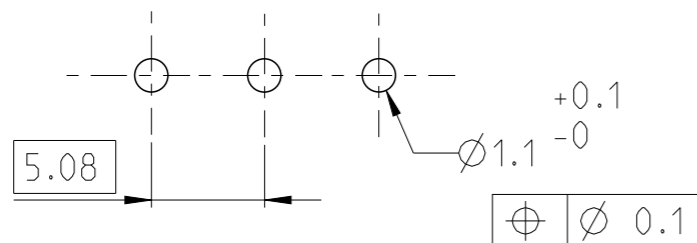
284094-3 AS SHOWN

DIM. A	NO OF POS.	PART NUMBER
127.00	25	<del>2-284094-5</del>
121.92	24	<del>2-284094-4</del>
116.76	23	<del>2-284094-3</del>
111.76	22	<del>2-284094-2</del>
106.68	21	<del>2-284094-1</del>
101.68	20	<del>2-284094-0</del>
96.52	19	<del>1-284094-9</del>
91.44	18	<del>1-284094-8</del>
86.36	17	<del>1-284094-7</del>
81.28	16	<del>1-284094-6</del>
76.20	15	<del>1-284094-5</del>
71.12	14	<del>1-284094-4</del>
66.04	13	<del>1-284094-3</del>
60.96	12	<del>1-284094-2</del>
55.88	11	<del>1-284094-1</del>
50.80	10	<del>1-284094-0</del>
45.72	9	284094-9
40.64	8	284094-8
35.56	7	284094-7
30.48	6	284094-6
25.40	5	284094-5
20.32	4	284094-4
15.24	3	284094-3
10.16	2	284094-2

OBSOLETE



RECOMMENDED PC BOARD LAYOUT  
(DIMA DI FORATURA CONSIGLIATA)



THIS DRAWING IS A CONTROLLED DOCUMENT.		DWN E. ZANOLINI 26APR2001	TE Connectivity	
DIMENSIONS: mm		CHK D. BIEVENOUR 26APR2001		
TOLERANCES UNLESS OTHERWISE SPECIFIED:		APVD D. BIEVENOUR 26APR2001	NAME TERMINAL BLOCK, PCB MOUNT TOP ENTRY WIRE, STACKING W/INTERLOCK, 5.08mm PITCH	
0 PLC ±		PRODUCT SPEC 108-20166	SIZE A3	CAGE CODE 00779
1 PLC ±0.3		APPLICATION SPEC 114-20079	DRAWING NO C=284094	RESTRICTED TO
2 PLC ±0.25		WEIGHT -	SCALE 4:1	
3 PLC ±		MATERIAL SEE NOTES	SHEET 1 OF 2	
4 PLC ±			REV E	
ANGLES ±°		CUSTOMER DRAWING		

THIS DRAWING IS UNPUBLISHED.

RELEASED FOR PUBLICATION

20

© COPYRIGHT 20


BY -


ALL RIGHTS RESERVED.

REVISIONS

P	LTR	DESCRIPTION	DATE	DWN	APVD
-		SEE SHEET 1	-	-	-

NOTES:

- MATERIALS AND FINISH  
HOUSING: PA 6-6, UL 94-V0, COLOR GREEN.  
CLAMP: BRASS, NICKEL PLATED.  
TERMINAL: BRASS, TIN PLATED.  
CLAMPING SCREW: M3, BRASS, NICKEL PLATED.
  - MECHANICAL  
WIRE STRIPPING LENGTH : 5.0-6.0 mm  
MIN. PC BOARD HOLES DIAMETER : 1.1 mm  
MAX. PC BOARD THICKNESS : 2.4 mm  
RECOMMENDED TIGHTENING TORQUE FOR SCREW : 0.5 Nm.
  - ELECTRICAL  
WIRE RANGE : 16-30 AWG  
MAX. VOLTAGE : 300 V  
MAX CURRENT : 13.5 A  
CONTACT RESISTANCE : <15 m Ohm  
INSULATION RESISTANCE : >1000 M Ohm (500V DC)
  - RECOGNIZED UNDER THE COMPONENT PROGRAM OF UNDERWRITERS LABORATORIES INC., FILE NO E60677.
  - OPERATING TEMPERATURE RANGE: -40°C TO +110°C
-  NOT CUMULATIVE TOLERANCE.
- PACKED IN TRAY.

THIS DRAWING IS A CONTROLLED DOCUMENT.		DWN E. ZANOLINI 26APR2001	 TE Connectivity	
DIMENSIONS: mm		CHK D. BIEVENOUR 26APR2001		
TOLERANCES UNLESS OTHERWISE SPECIFIED:		APVD D. BIEVENOUR 26APR2001	NAME TERMINAL BLOCK, PCB MOUNT TOP ENTRY WIRE, STACKING W/INTERLOCK, 5.08mm PITCH	
0 PLC ±-		PRODUCT SPEC 108-20166	RESTRICTED TO	
1 PLC ±0.2		APPLICATION SPEC 114-20079	SIZE A3	CAGE CODE 00779
2 PLC ±0.25		WEIGHT -	DRAWING NO C=284094	
3 PLC ±-			SCALE 1:1	SHEET 2 OF 2
4 PLC ±-				REV E
ANGLES ±2°				
MATERIAL SEE NOTES	FINISH SEE NOTES	CUSTOMER DRAWING		

# Mouser Electronics

Authorized Distributor

Click to View Pricing, Inventory, Delivery & Lifecycle Information:

[TE Connectivity:](#)

[1-284094-0](#)