

| P | LTR | DESCRIPTION | DATE | DWN | APVD |
|----|-----|--------------------------------|-----------|-----|------|
| B2 | | REVISED PER ECO-12-007714 | 28APR2012 | KH | MS |
| C | | DESIGN IMPROVEMENT IN NEW MOLD | 21JUL2020 | DV | PS |

1 MATERIALS AND FINISH
 HOUSING: HIGH TEMPERATURE POLYAMIDE, UL 94V-0 RATED, COLOR GREEN.
 TERMINAL: COPPER ALLOY, TIN PLATED.

2 SUITABLE FOR 1,6-2,4mm PC BOARD THICKNESS.

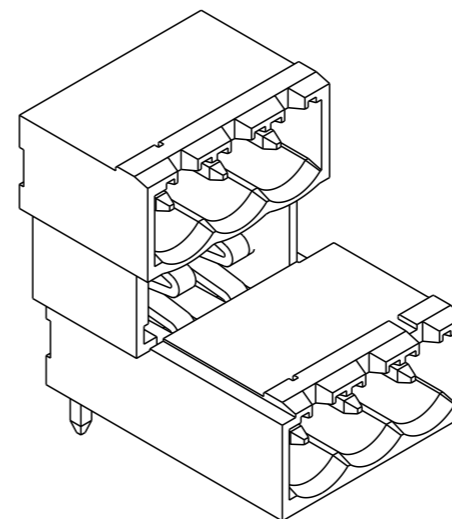
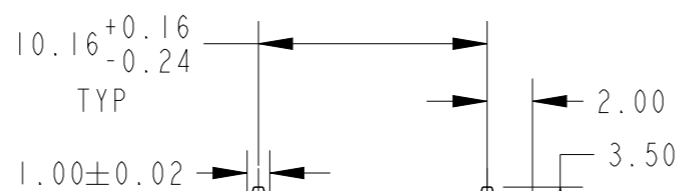
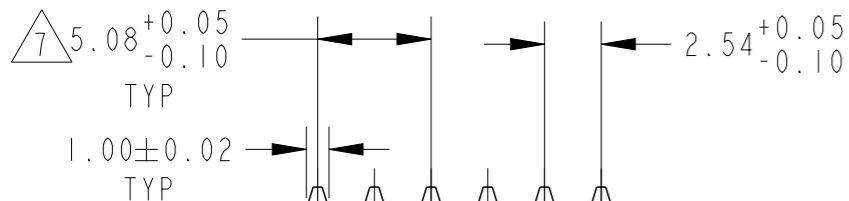
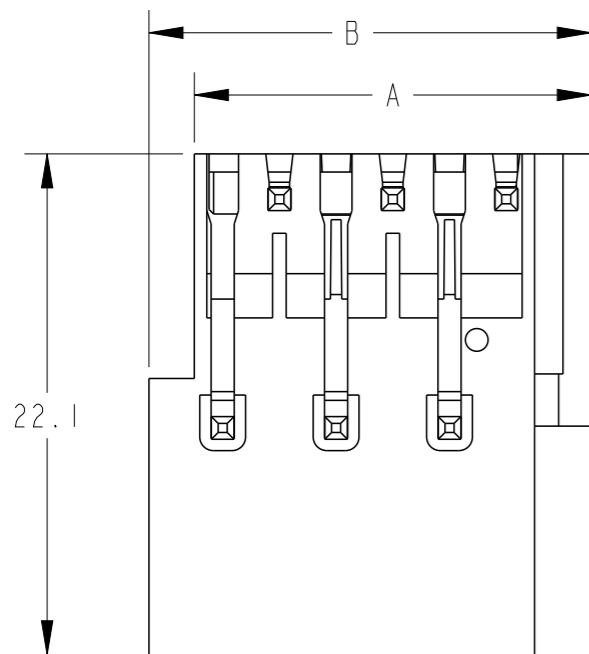
3 ELECTRICAL
 RATED VOLTAGE : 300 V
 RATED CURRENT : 12 A
 CONTACT RESISTANCE : < 15 mΩ
 INSULATION RESISTANCE: > 1000 MΩ (500V DC)

4 OPERATING TEMPERATURE RANGE: -40°C TO +110°C

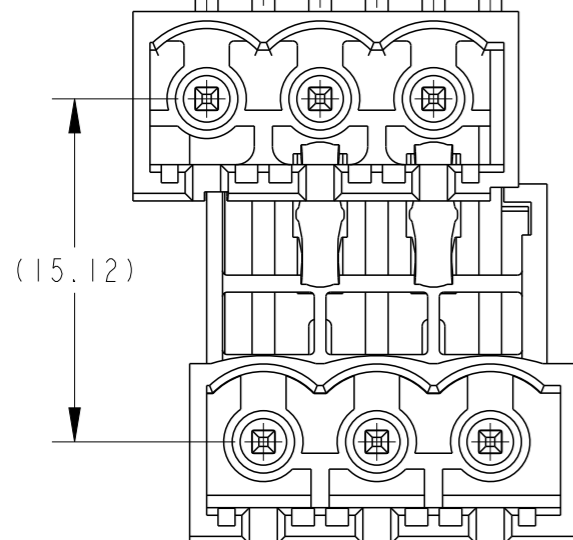
5 P/N FROM 284061-4 TO 2-284061-6 ARE OBTAINED BY ASSEMBLING
 284061-2 AND 284061-3 TO ACHIEVE THE DESIRED NUMBER OF POSITIONS.

6 PARTS HAS BEEN DISCONTINUED

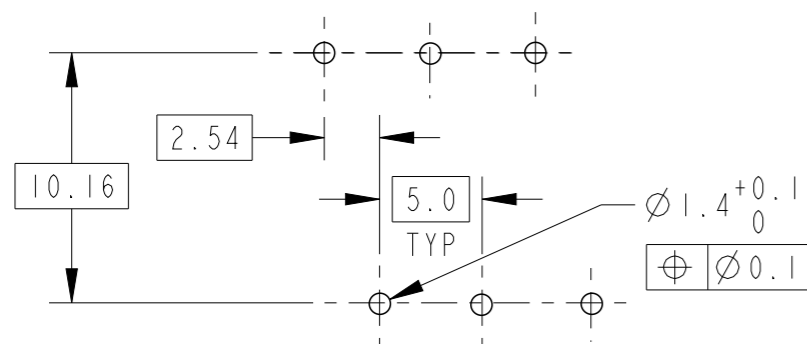
7 NON CUMULATIVE TOLERANCE



| A | B | NO OF POS | PART NUMBER |
|--------|--------|-----------|-------------|
| 83.08 | 85.58 | 16 | 2-284061-6 |
| 128.80 | 131.30 | 25 | 2-284061-5 |
| 123.68 | 126.18 | 24 | 2-284061-4 |
| 118.44 | 121.14 | 23 | 2-284061-3 |
| 113.56 | 116.06 | 22 | 2-284061-2 |
| 108.44 | 110.94 | 21 | 2-284061-1 |
| 103.40 | 105.90 | 20 | 2-284061-0 |
| 98.32 | 100.82 | 19 | 1-284061-9 |
| 93.20 | 95.70 | 18 | 1-284061-8 |
| 88.16 | 90.66 | 17 | 1-284061-7 |
| 83.08 | 85.58 | 16 | 1-284061-6 |
| 77.96 | 80.46 | 15 | 1-284061-5 |
| 72.92 | 75.45 | 14 | 1-284061-4 |
| 67.84 | 70.34 | 13 | 1-284061-3 |
| 62.72 | 65.22 | 12 | 1-284061-2 |
| 57.68 | 60.18 | 11 | 1-284061-1 |
| 52.60 | 55.10 | 10 | 1-284061-0 |
| 47.48 | 49.98 | 9 | 284061-9 |
| 42.44 | 44.94 | 8 | 284061-8 |
| 37.36 | 39.86 | 7 | 284061-7 |
| 32.24 | 34.74 | 6 | 284061-6 |
| 27.20 | 29.70 | 5 | 284061-5 |
| 22.16 | 24.66 | 4 | 284061-4 |
| 17.00 | 19.50 | 3 | 284061-3 |
| 12.00 | 14.50 | 2 | 284061-2 |



RECOMMENDED PC BOARD LAYOUT



| | | | | | |
|--|--|--------------------------------|--|--|--|
| THIS DRAWING IS A CONTROLLED DOCUMENT. | | DWN 24JAN2002 E. ZANOLINI | | TE Connectivity | |
| DIMENSIONS: mm | | CHK 24JAN2002 E. ZANOLINI | | | |
| TOLERANCES UNLESS OTHERWISE SPECIFIED: | | APVD 24JAN2002 D. BIEVENOUR | | NAME TERMINAL BLOCK MULTIPLE HEADER, 90 DEGREE CLOSED ENDS 5.08mm PITCH | |
| 0 PLC ±- | | PRODUCT SPEC | | SIZE | |
| 1 PLC ±.3 | | APPLICATION SPEC | | CAGE CODE | |
| 2 PLC ±.25 | | 114-20079 | | DRAWING NO | |
| 3 PLC ±- | | WEIGHT | | RESTRICTED TO | |
| 4 PLC ±- | | - | | A3 00779 C-284061 | |
| ANGLES ±2° | | CUSTOMER DRAWING | | SCALE 3:1 | |
| FINISH | | | | SHEET 1 OF 1 | |
| | | | | REV C | |

Mouser Electronics

Authorized Distributor

Click to View Pricing, Inventory, Delivery & Lifecycle Information:

[TE Connectivity:](#)

[284061-8](#)