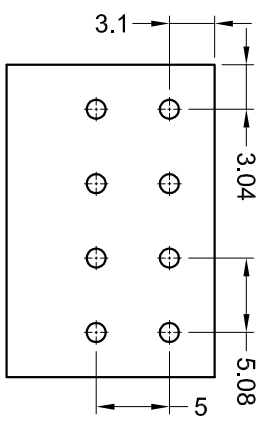
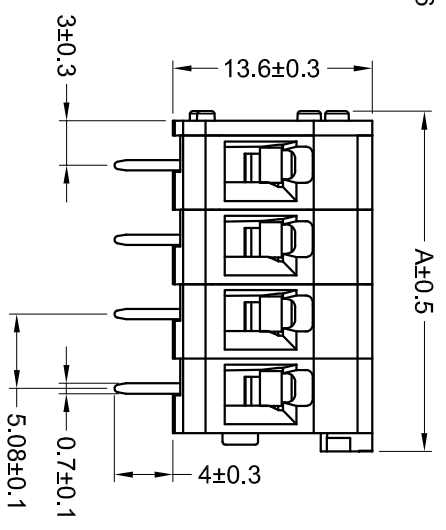
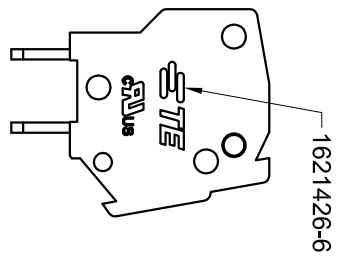
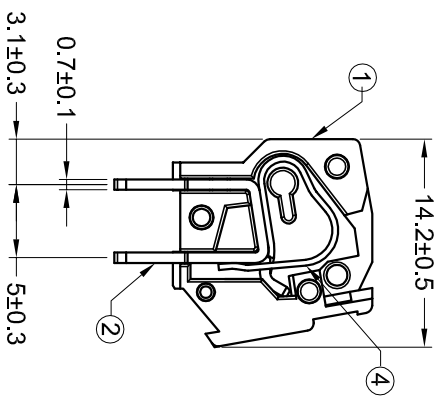
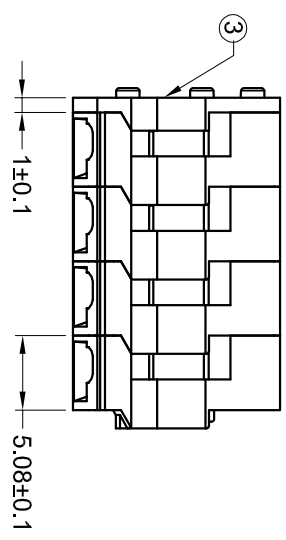
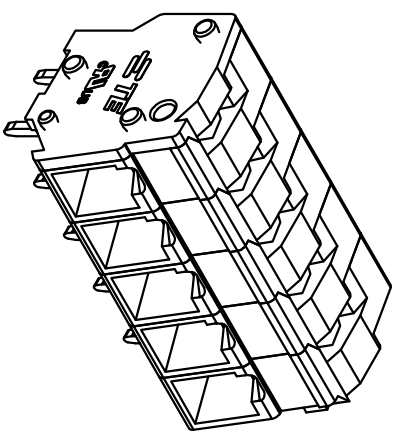


REVISONS		DATE	OWN	APP'D	
P	LTN	DESCRIPTION	23NOV2015	C.F	S.M
A	1	FIRST VERSION			



PCB Layout

④	SPRING	2834099-7
③	COVER	2834099-6
②	CONTACT	2834099-5
①	HOUSING	2834099-4
43.54	8 POSN	2834099-7
38.46	7 POSN	2834099-6
33.38	6 POSN	2834099-5
28.30	5 POSN	2834099-4
23.22	4 POSN	2834099-3
18.14	3 POSN	2834099-2
13.06	2 POSN	2834099-1
COLOR	DIM A	NO. OF POSITIONS
GRAY		PART NO

NOTES :

- △ MATERIALS AND FINISH:
 - HOUSING: PA66
 - CONTACTS: BRASS, FINISH: TIN OVER NICKEL UNDERPLATE
- 2. MUST COMPLY WITH DIRECTIVE 2002/95/EC (RoHS)
- 3. WIRE TYPES AND SIZES ACCEPTED
- WIRE RANGE: 12AWG~28AWG.
- STRIP LENGTH: 5~6mm
- 4. PACKAGED IN TRAY.
- 5. CURRENT RATING: 20Amp AC300V.
- 6. OPERATION TEMPERATURE: -40°C TO +105°C
- 7. THIS PART NO. IS THE SAME STRUCTURE AS THE SERIES: 2834099
- THE DATASHEET AND MORE DETAILS PLEASE FOLLOW THE SERIES: 2834099

THIS DRAWING IS A CONTROLLED DOCUMENT.

REVISIONS	DATE	OWN	APP'D
1	23NOV2015	C.F	S.M

THIS DRAWING IS THE PROPERTY OF STTE. ALL RIGHTS RESERVED. 30
 2834099-4
 2834099-5
 2834099-6
 2834099-7
 2834099-8
 2834099-9
 2834099-10
 2834099-11
 2834099-12
 2834099-13
 2834099-14
 2834099-15
 2834099-16
 2834099-17
 2834099-18
 2834099-19
 2834099-20
 2834099-21
 2834099-22
 2834099-23
 2834099-24
 2834099-25
 2834099-26
 2834099-27
 2834099-28
 2834099-29
 2834099-30

Mouser Electronics

Authorized Distributor

Click to View Pricing, Inventory, Delivery & Lifecycle Information:

[TE Connectivity:](#)

[2834099-2](#)