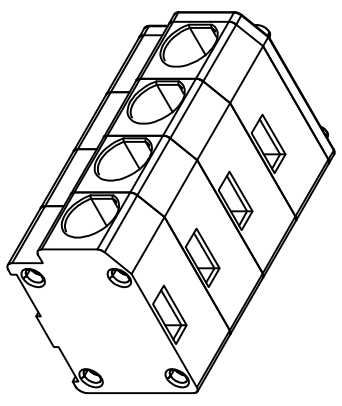
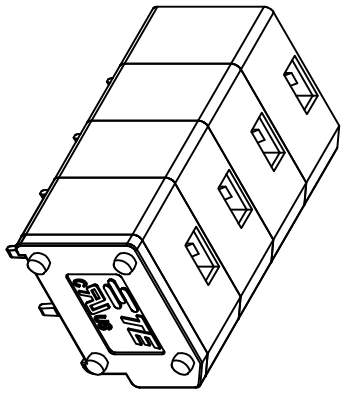
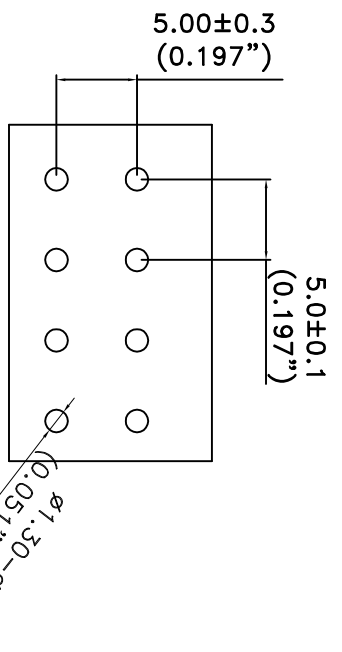
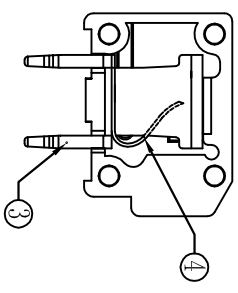
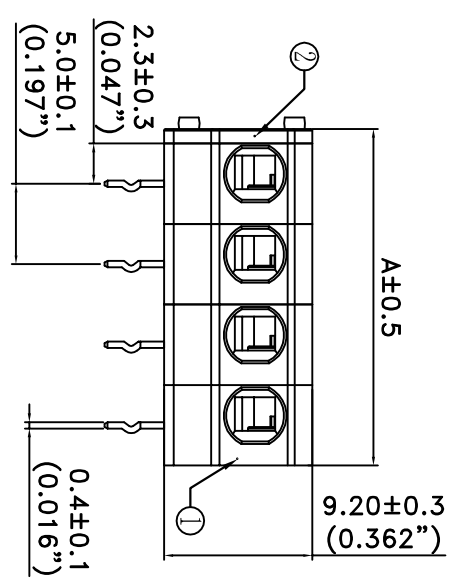
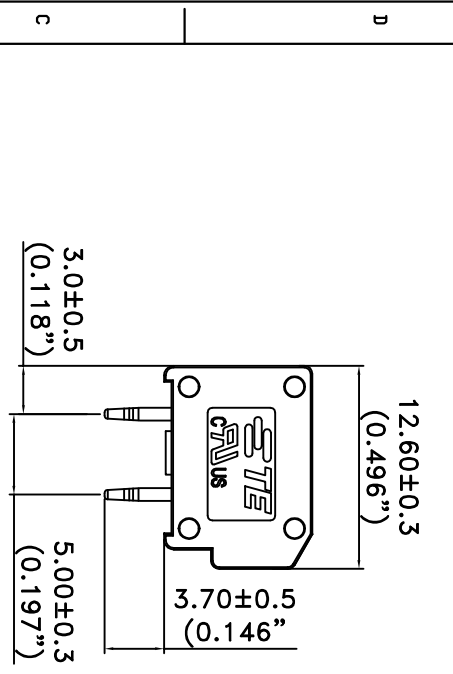


REV. NO.	DATE	BY	APP'D
1			

REV. NO.	DESCRIPTION	DATE	BY	APP'D
1	1st Version			



NO. OF POSITIONS	PART NO	TE Connectivity
2 POSN	2834089-1	
3 POSN	2834089-2	
4 POSN	2834089-3	
5 POSN	2834089-4	
6 POSN	2834089-5	
7 POSN	2834089-6	
8 POSN	2834089-7	

**PCB Layout**

**NOTES :**

- 1. MATERIALS AND FINISH:
  - HOUSING: PA66
  - CONTACTS: COPPER, FINISH: TIN OVER COPPER UNDERPLATE
- 2. MUST COMPLY WITH DIRECTIVE 2002/95/EC (ROHS)
- 3. WIRE TYPES AND SIZES ACCEPTED
- 4. WIRE RANGE: 14AWG~20AWG.
- 5. STRIP LENGTH: 9.0mm~10.0mm
- 6. PACKAGED IN TRAY.
- 7. CURRENT RATING: 10Amp AC300V.
- 8. OPERATION TEMPERATURE: -40°C TO +105°C
- 9. THIS PART NO. IS THE SAME STRUCTURE AS THE SERIES: 2834089
- 10. THE DATASHEET AND MORE DETAILS PLEASE FOLLOW THE SERIES: 2834089

THIS DRAWING IS A CONTROLLED DOCUMENT

REVISIONS	DATE	BY	APP'D
1			

DESCRIPTION	DATE	BY	APP'D
50 Horizontal Entry Screwless Connector	02DEC2015		

REV. NO.	DATE	BY	APP'D
1			

REV. NO.	DATE	BY	APP'D
1			

ST. TE Connectivity

50 Horizontal Entry Screwless Connector

SIZE: 1 CODE: 1 DRAWING NO: C-2834089

SCALE: 1:1 SHEET: 1 OF 1 REV: A

# Mouser Electronics

Authorized Distributor

Click to View Pricing, Inventory, Delivery & Lifecycle Information:

[TE Connectivity:](#)

[2834089-4](#)