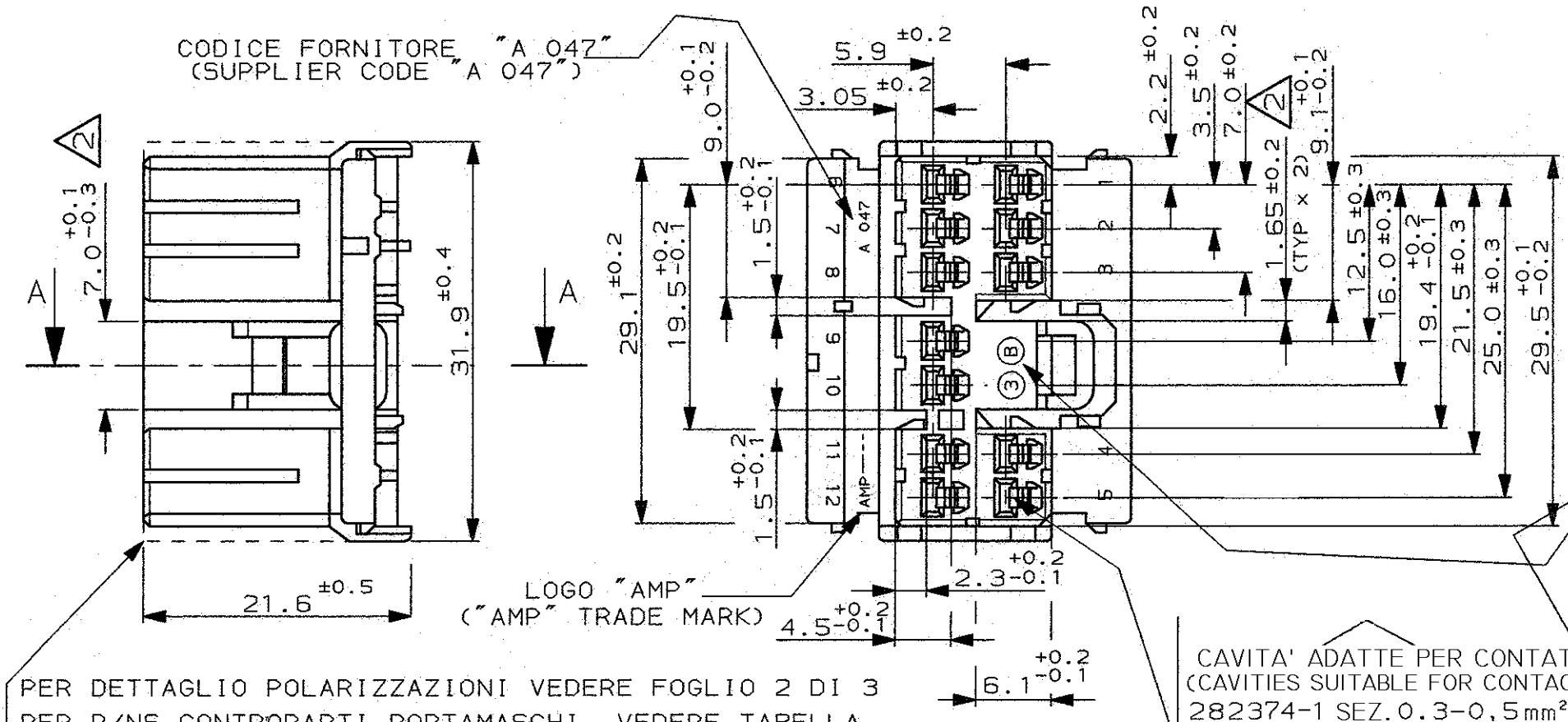


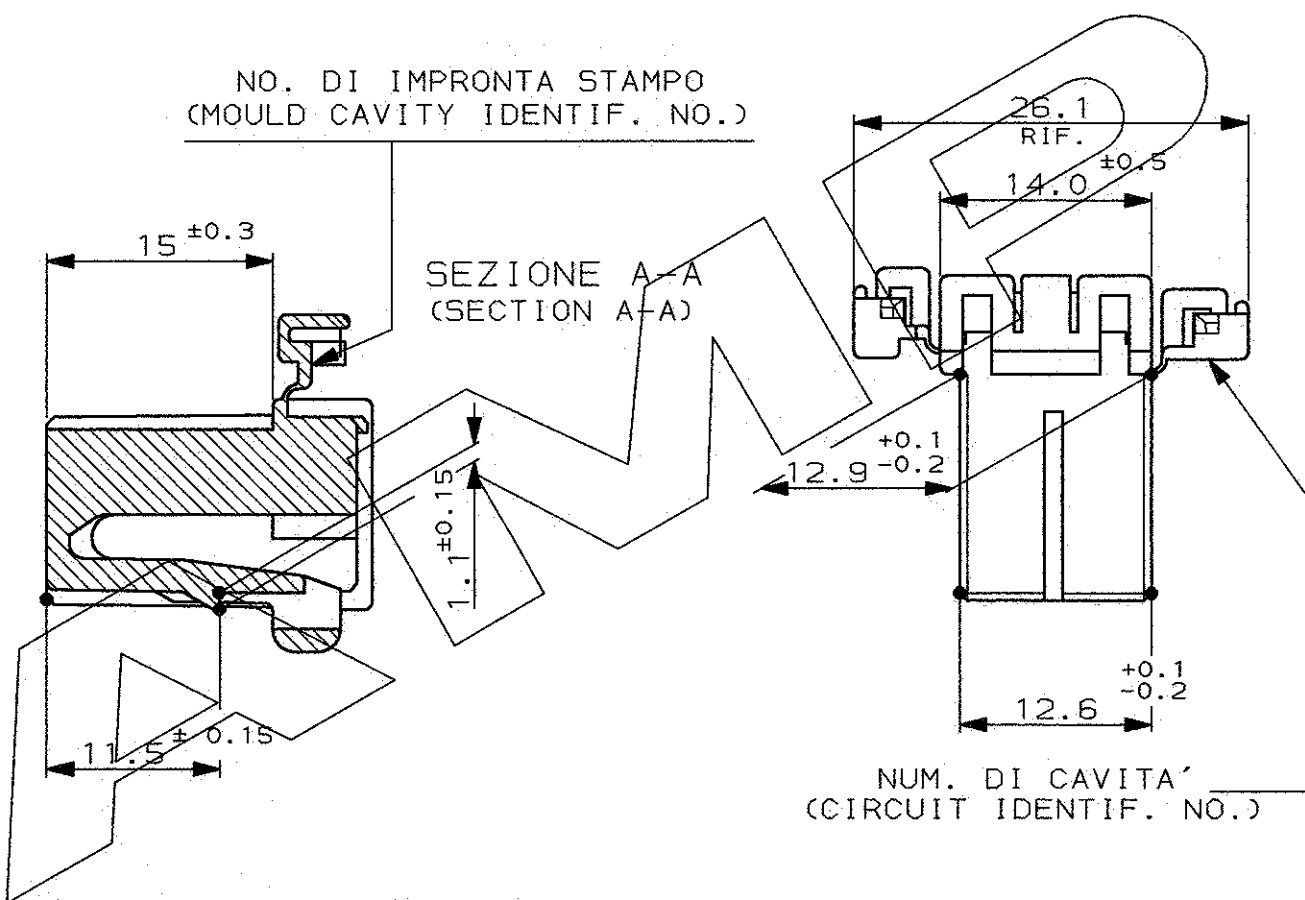
CODICE FORNITORE "A 047"  
(SUPPLIER CODE "A 047")



PER DETAGLIO POLARIZZAZIONI VEDERE FOGLIO 2 DI 3  
PER P/NS CONTROPARTI PORTAMASCHI, VEDERE TABELLA.  
(FOR POLARIZATION DETAIL SEE SHEET 2 OF 3, FOR  
COUNTERPART CAP HSG. P/NS SEE THE TABLE).

CAVITA' ADATTE PER CONTATTI P/N:  
(CAVITIES SUITABLE FOR CONTACTS P/N:)  
282374-1 SEZ. 0.3-0.5 mm<sup>2</sup> (COD. FIAT 1/23197/44)  
282375-1 SEZ. 0.75-1.5 mm<sup>2</sup> (COD. FIAT 1/24834/44)

NO. DI IMPRONTA STAMPO  
(MOULD CAVITY IDENTIF. NO.)



1) PER RAPPRESENTAZIONE DIMA CONTROPARTE VEDERE FOGLIO 3 DI 3.  
(FOR COUNTERPART DETAIL SEE SHEET 3 OF 3).

2) QUOTA VALIDA SOLO PER VERSIONE 282367-1.  
(VALID DIMENSION ONLY FOR 282367-1 VERSION)

OBSOLETE	282525-8 VERS. VERTICALE (VERTICAL VERS.)	282371-4	GRIGIO (GREY)	PBT (PBT UNFILLED)	282367-4
	282525-7 VERS. VERTICALE (VERTICAL VERS.)	282371-3	BLU (BLUE)		282367-3
	282525-6 VERS. VERTICALE (VERTICAL VERS.)	282371-2	NERO (BLACK)		282367-2
	282629-1 VERS. ORIZZONTALE (HORIZONTAL VERS.)	282371-1	BIANCO (NATURAL)		282367-1
	282525-5 VERS. VERTICALE (VERTICAL VERS.)				
CONTROP. P.C.B. (HEADER ASSY)	PORTAMASCHI VOLANTE (CAP HOUSING)	COLORE (COLOUR)	MATERIALE (MATERIAL)	NUMERO (PART NUMBER)	

CUSTOMER DWG. FOR REFERENCE ONLY  
DISEGNO PER CLIENTE SOLO PER RIFERIMENTO

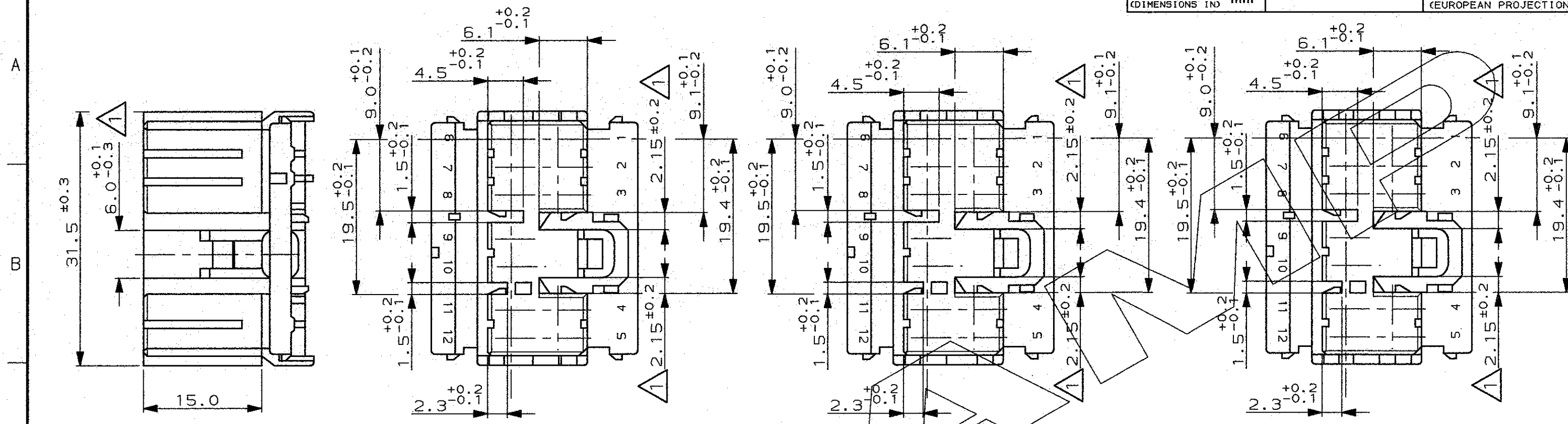
THIS DRAWING IS UNPUBLISHED - RELEASE FOR PUBLICATION 19

© COPYRIGHT 19 BY AMP INCORPORATED, HARRISBURG, PA. ALL INTERNATIONAL RIGHT RESERVED. AMP PRODUCTS MAY BE COVERED BY U.S. AND FOREIGN PATENT AND/OR PATENT PENDING

D3	REVISED PER ECO-20-003218	AP/VN	08MAY 2020	TOLLERANZE: SE NON DIVERSAMENTE SPECIFICATO	DIAM. ISOLANTE (INS. DIA. RANGE)	RANGO FILO (WIRE RANGE)	SCALA (SCALE)
D2	REVISED PER ECR-13-004824	M.G.	26MAR 2013	(TOLERANCES, UNLESS OTHERWISE SPECIFIED)	2:1		
D1	REVISED PER ECR-09-027838	M.G.	23-12 2009	± 0.3			
D	REVISED FOR EC ET00-0298-97	M.P.	29-7 97	ANGOLI (ANGLES)	± 2°		
A	RIDISEGNATO E BENESTARIATO PER PRODUZIONE	M.P.	7-10 93	DIS. M. PALMA (CDR.) 29 MAY '97	DESCRIZIONE (DESCRIPTION) 070 SERIES MULTILOCK* CONN. PLUG HOUSING 12 POSITION (PORTAFEMMINE) DOUBLE ROW		
1	AGGIORNATO	R.M.	1-4 93	CONT. C. TARTARI (CHK) 29 MAY '97			
0	PRIMA EMISSIONE	L.G.	29-4 92	APP. (CAPP.)			
REV.	REVISIONI (REVISION RECORD)	DIS.	DATA (DATE)	APP.	LOC. SIZE NUMERO (DWG NO)	REV.	FOGLIO (SHEET)
					I A3	C-282367	D3 1 DI (OF) 3



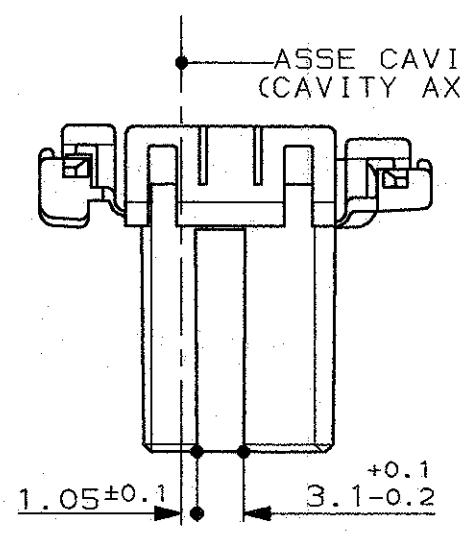
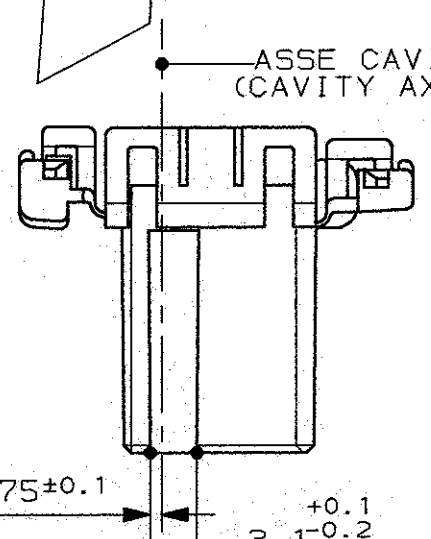
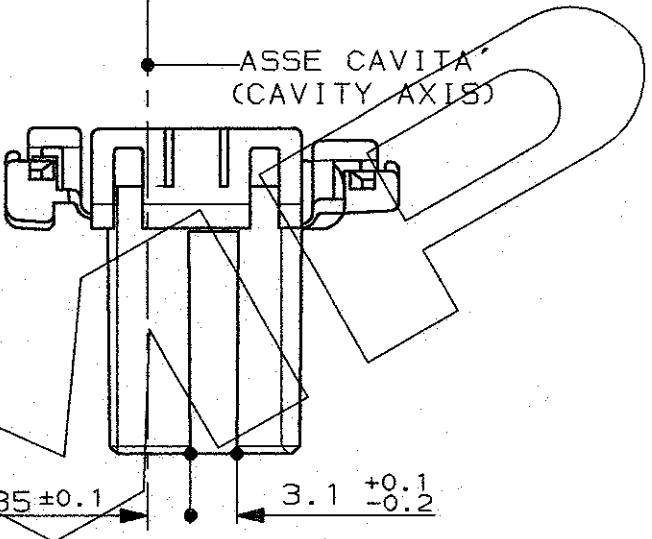
DISTRIBUZIONE (PRINT DIST.)



P/N 282367-2 NERO (BLACK)

P/N 282367-3 BLU (BLUE)

P/N 282367-4 GRIGIO (GREY)



RAPPRESENTAZIONE GRAFICA VERSIONI POLARIZZATE  
 (DETAIL REPRESENTATION OF POLARIZATION VERSIONS)

1 QUOTA VALIDA PER VERSIONI 282367-2; -3; -4.  
 (VALID DIMENSION ONLY FOR 282367-2; -3; -4 VERSIONS)

REV.	REVISIONI (REVISION RECORD)	DIS. DATA (DR) (DATE)

COLORE (COLOUR)	MATERIALE (MATERIAL)	NUMERO (PART NUMBER)
CUSTOMER DWG. FOR REFERENCE ONLY	DISEGNO PER CLIENTE SOLO PER RIFERIMENTO	19
THIS DRAWING IS UNPUBLISHED. RELEASE FOR PUBLICATION		19
© COPYRIGHT 19 BY AMP INCORPORATED, HARRISBURG, PA. ALL INTERNATIONAL RIGHT RESERVED. AMP PRODUCTS MAY BE COVERED BY U.S. AND FOREIGN PATENT AND/OR PATENT PENDING		
TOLLERANZE, SE NON DIVERSAMENTE SPECIFICATO (TOLERANCES, UNLESS OTHERWISE SPECIFIED)	DIAM. ISOLANTE (INS. DIA. RANGE)	RANGO FILO (WIRE RANGES)
± 0.3		
ANGOLI (ANGLES)		SCALA (SCALE)
± 2°		2:1
DIS. (DR.)	DESCRIZIONE (DESCRIPTION) 070 SERIES MULTILOCK* CONN. PLUG HOUSING 12 POSITION (PORTAFEMMINE) DOUBLE ROW	
CONT. (CHK)	LOC. SIZE NUMERO (DWG NO)	REV. FOGLIO (SHEET)
APP. (APP.)	I A3 C-282367	D3 2 OF 3



SEE SHEET 1 OF 3

SEE SHEET 1 OF 3

DISTRIBUZIONE (PRINT DIST.)

SEZIONE C-C  
(SECTION C-C)

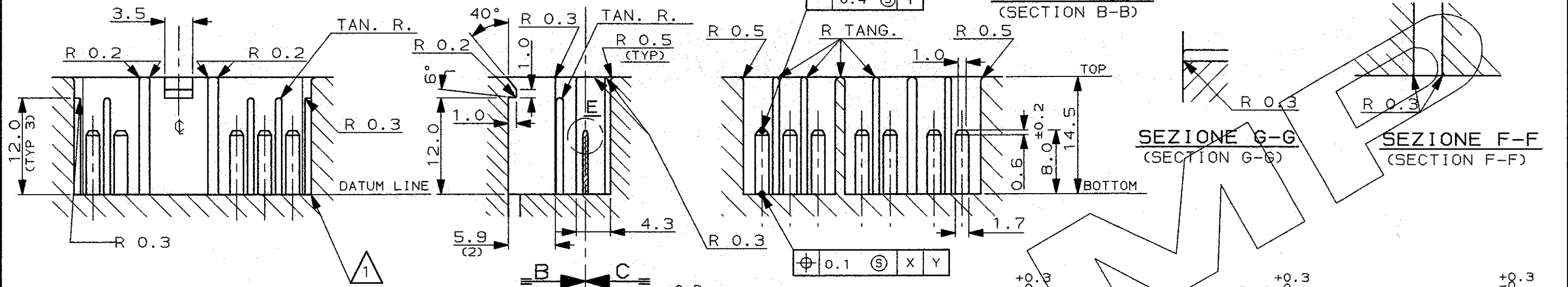
SEZIONE A-A  
(SECTION A-A)

SEZIONE B-B  
(SECTION B-B)

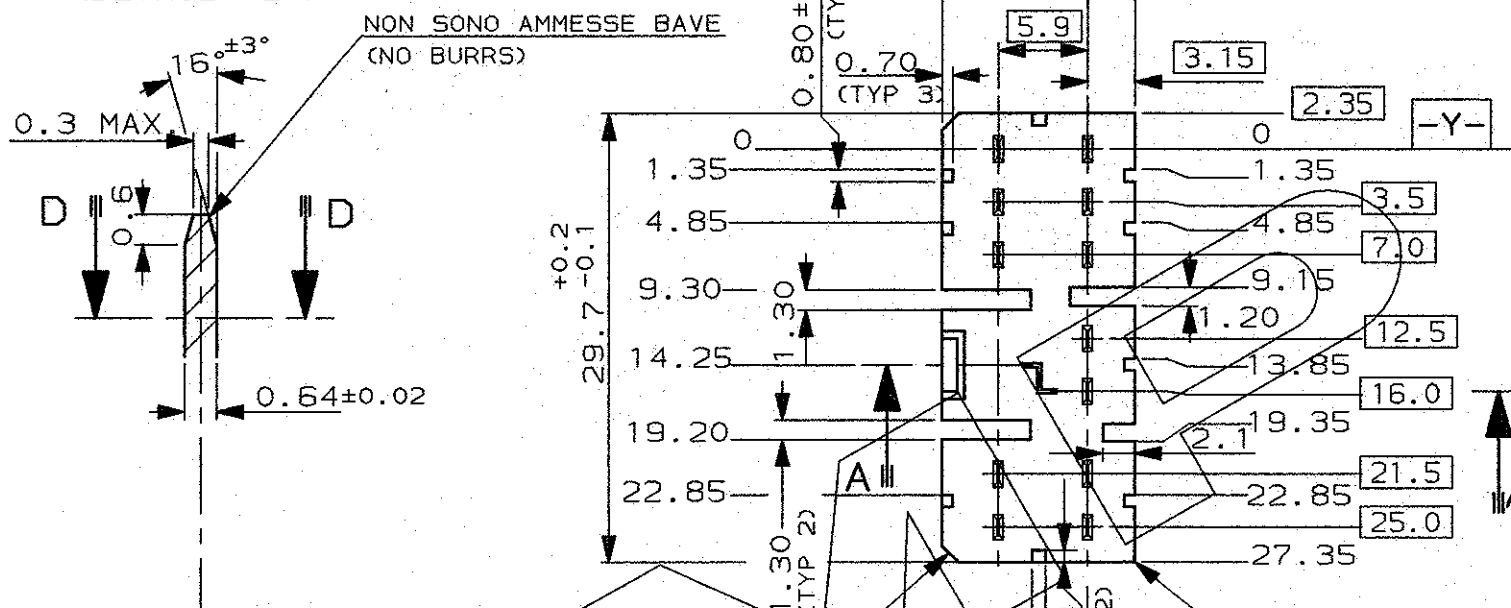
SCALA NON IMPEGNATIVA  
(DO NOT SCALE)  
DIMENSIONI IN mm  
(DIMENSIONS IN mm)

METRIC

PROIEZIONE EUROPEA  
(EUROPEAN PROJECTION)



DETTAGLIO "E"  
(DETAIL "E")

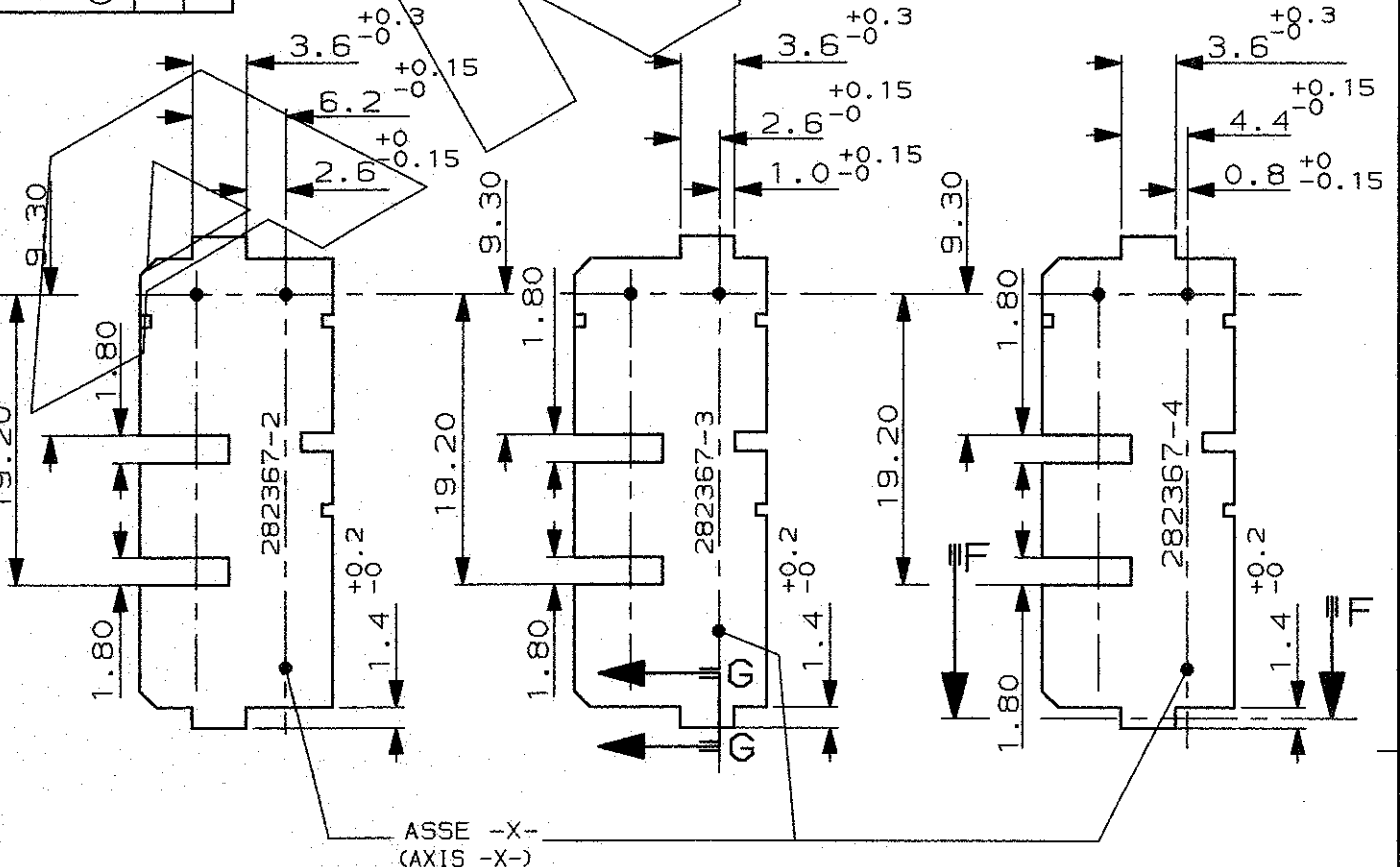


SEZIONE D-D  
(SECTION D-D)



1) SPIGOLI INTERNI R 0.3 MAX SE NON DIVERSAMENTE INDICATO.  
(UNLESS OTHERWISE SPECIFIED R. 0.3 MAX)

2) TAB: OTTONE TEMPRA 4, STAGNATO  
(TAB: BRASS TEMPER 4, TIN PLATED)



REV.	REVISIONI (REVISION RECORD)	DIS. DATA (DR) (DATE)	APP. DATA (DR) (DATE)	COLORE (COLOUR)	MATERIALE (MATERIAL)	NUMERO (PART NUMBER)
<p>THIS DRAWING IS UNPUBLISHED - RELEASE FOR PUBLICATION 19</p> <p>© COPYRIGHT 19 BY AMP INCORPORATED, HARRISBURG, PA. ALL INTERNATIONAL RIGHT RESERVED. AMP PRODUCTS MAY BE COVERED BY U.S. AND FOREIGN PATENT AND/OR PATENT PENDING</p> <p>TOLLERANZE, SE NON DIVERSAMENTE SPECIFICATO (TOLERANCES, UNLESS OTHERWISE SPECIFIED)</p> <p>0 DEC. PLACE ±0.3 1 DEC. PLACE ±0.1 2 DEC. PLACE ±0.05</p> <p>ANGOLI (ANGLES) 0° 30'</p>			<p>DIAM. ISOLANTE (INS. DIA. RANGE)</p> <p>RANGO FILO (WIRE RANGE)</p> <p>SCALA (SCALE) 2:1</p>		<p>19</p>	
<p>SEE SHEET 1 OF 3</p>			<p>SEE SHEET 1 OF 3</p>		<p>TE Connectivity</p>	
<p>DESCRIZIONE (DESCRIPTION) 070 SERIES MULTILOCK* CONN. PLUG HOUSING 12 POSITION (DIMA DI MONTAGGIO)</p>			<p>LOC. SIZE NUMERO (DWG NO) I A3 C-282367</p>		<p>REV. FOGLIO (SHEET) D3 3 DI (OF) 3</p>	

DISTRIBUZIONE (PRINT DIST.)

# Mouser Electronics

Authorized Distributor

Click to View Pricing, Inventory, Delivery & Lifecycle Information:

[TE Connectivity:](#)

[282367-1](#)