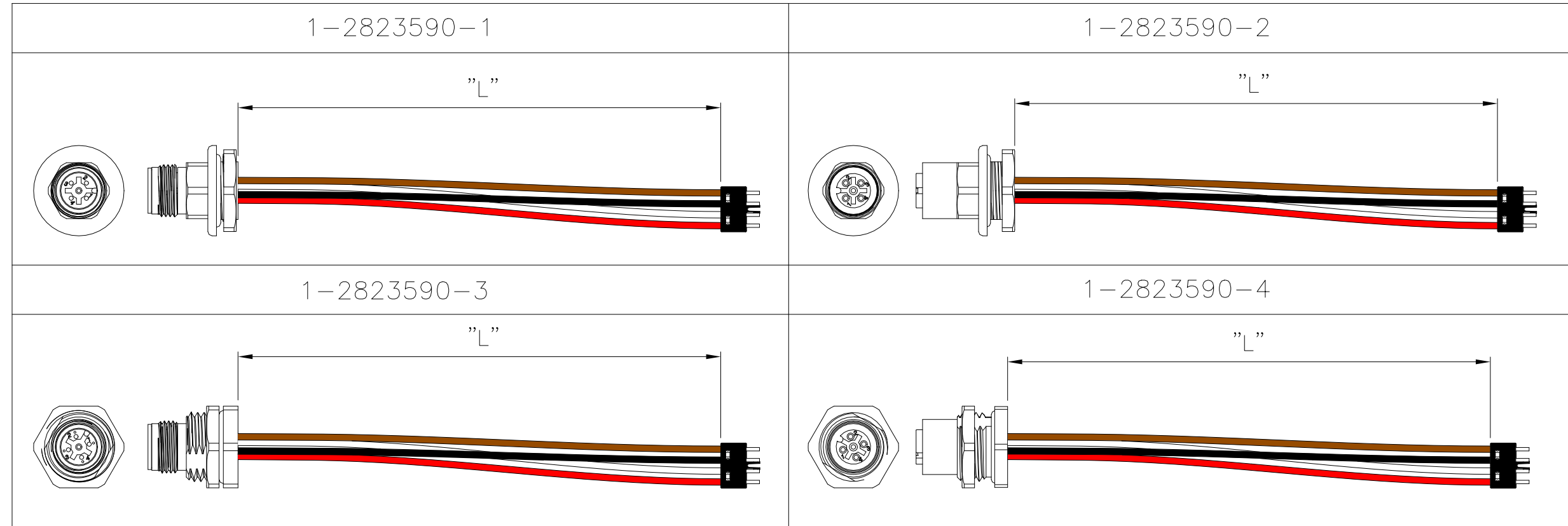


| P | LTR | DESCRIPTION | DATE | DWN | APVD |
|---|-----|---------------------------|-----------|-----|------|
| | A2 | ADDED MISSING INFORMATION | 29SEP2020 | GK | SE |

| | |
|----------|--------------------------------|
| PROJECT | PRJ-14-000004825 |
| PART NO | X-2823590-X |
| HV DESC | M12, A-CODED, PCB MOUNT CABLES |
| CUSTOMER | GENERAL MARKET |

A-CODE 5 POSITION

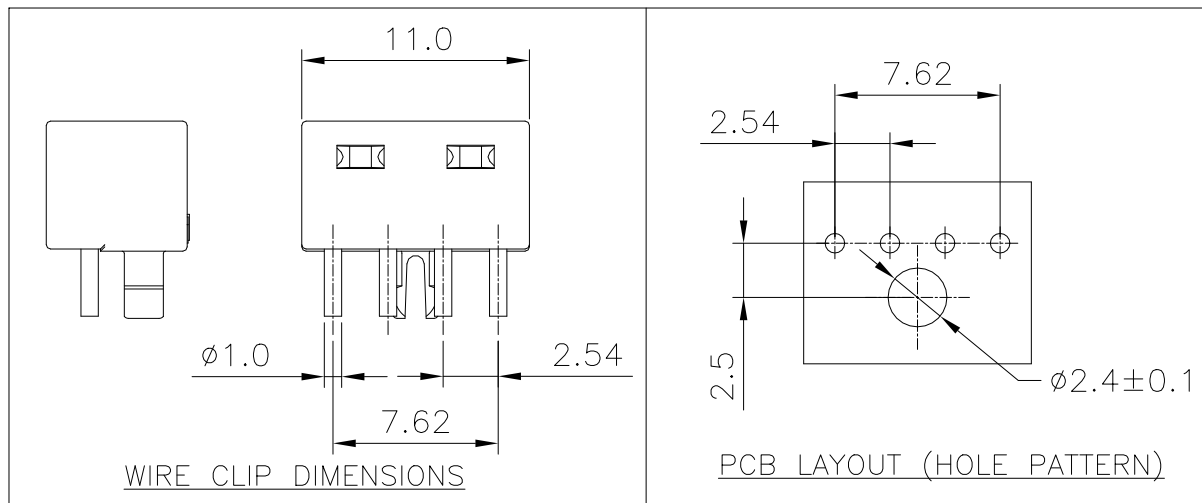


| PART NUMBER | DESCRIPTION | CODE TYPE AND PANEL MOUNTING | CABLE LENGTH "L" |
|-------------|--|------------------------------|------------------|
| 1-2823590-1 | M12 A-CODE 5, MALE FRONT PANEL MOUNT | A5 MALE, FRONT MOUNTED | 80mm |
| 1-2823590-2 | M12 A-CODE 5, FEMALE FRONT PANEL MOUNT | A5 FEMALE, FRONT MOUNTED | 80mm |
| 1-2823590-3 | M12 A-CODE 5, MALE REAR PANEL MOUNT | A5 MALE, REAR MOUNTED | 80mm |
| 1-2823590-4 | M12 A-CODE 5, FEMALE REAR PANEL MOUNT | A5 FEMALE, REAR MOUNTED | 80mm |

| A5 PIN# | COLOR | CLIP PIN# |
|---------|-------|-----------|
| 1 | BROWN | 1 |
| 2 | BLACK | 2 |
| 3 | WHITE | 3 |
| 4 | RED | 4 |
| 5 | N/A | EMPTY |

PIN ASSIGNMENTS A5 CODING

REFER PAGE-2 FOR PANEL CUT-OUT INFORMATION



THIS DRAWING IS A CONTROLLED DOCUMENT.

| DIMENSIONS: | TOLERANCES UNLESS OTHERWISE SPECIFIED: |
|-------------|--|
| mm | |
| 0 PLC | ± - |
| 1 PLC | ± - |
| 2 PLC | ± - |
| 3 PLC | ± - |
| 4 PLC | ± - |
| ANGLES | ± - |
| MATERIAL | FINISH |
| - | - |

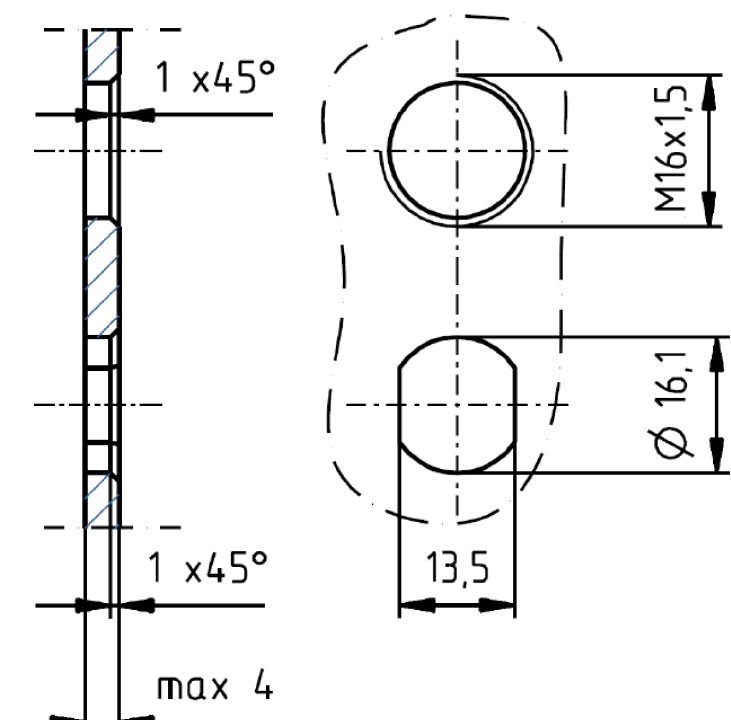
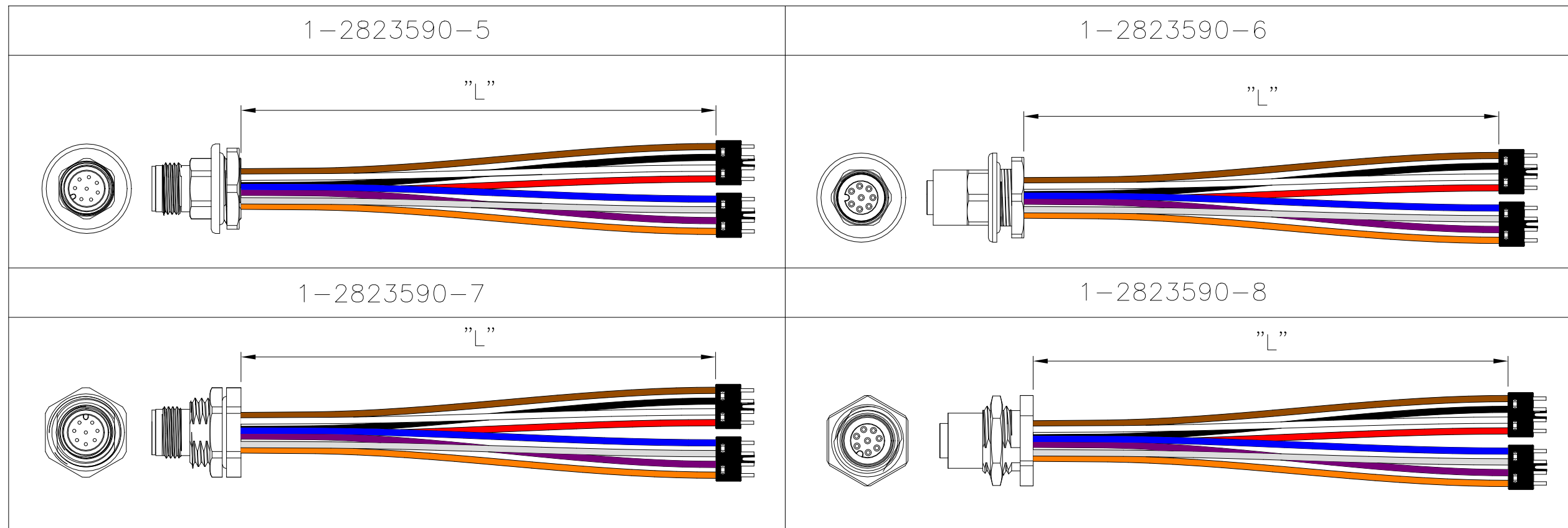
| | |
|------------------|-----------|
| DWN | 16SEP2020 |
| GOPALAKRISHNA HV | |
| CHK | 16SEP2020 |
| S EGBERT | |
| APVD | 16SEP2020 |
| S EGBERT | |
| PRODUCT SPEC | |
| APPLICATION SPEC | |
| WEIGHT | - |
| CUSTOMER DRAWING | |



| | | | | | | | |
|-------|-----------|------------|---------------|-------------------------------|--|--|--|
| NAME | | | | M12, A-CODED PCB MOUNT CABLES | | | |
| SIZE | CAGE CODE | DRAWING NO | RESTRICTED TO | | | | |
| A3 | 00779 | C-2823590 | - | | | | |
| SCALE | | SHEET | | REV | | | |
| NTS | | 1 OF 2 | | A2 | | | |

| P | LTR | DESCRIPTION | DATE | DWN | APVD |
|---|-----|-------------|------|-----|------|
| - | - | SEE SHEET 1 | - | - | - |

A-CODE 8 POSITION



PANEL CUT-OUT INFORMATION

| PART NUMBER | DESCRIPTION | CODE TYPE AND PANEL MOUNTING | CABLE LENGTH "L" |
|-------------|---------------------------------------|------------------------------|------------------|
| 1-2823590-5 | M12 A-CODE 8,MALE FRONT PANEL MOUNT | A8 MALE, FRONT MOUNTED | 80mm |
| 1-2823590-6 | M12 A-CODE 8,FEMALE FRONT PANEL MOUNT | A8 FEMALE, FRONT MOUNTED | 80mm |
| 1-2823590-7 | M12 A-CODE 8,MALE REAR PANEL MOUNT | A8 MALE, REAR MOUNTED | 80mm |
| 1-2823590-8 | M12 A-CODE 8,FEMALE REAR PANEL MOUNT | A8 FEMALE, REAR MOUNTED | 80mm |

REFER PAGE-1 FOR WIRE CLIP DIMENSIONS AND THE PCB LAYOUT (HOLE PATTERN)

| A8 PIN# | COLOR | CLIP PIN# |
|---------|-------------|-------------|
| 1 | BROWN | CLIP1, PIN1 |
| 2 | BLACK | CLIP1, PIN2 |
| 3 | WHITE | CLIP1, PIN3 |
| 4 | RED | CLIP1, PIN4 |
| 5 | BLUE | CLIP2, PIN1 |
| 6 | GREY | CLIP2, PIN2 |
| 7 | PURPLE | CLIP2, PIN3 |
| 8 | OCHER BROWN | CLIP2, PIN4 |

PIN ASSIGNMENTS A8 CODING

| | | | |
|---|--|-----------------------------------|---|
| THIS DRAWING IS A CONTROLLED DOCUMENT. | | DWN 16SEP2020 GOPALAKRISHNA HV | TE Connectivity |
| DIMENSIONS: mm | | CHK 16SEP2020 S EGBERT | |
| TOLERANCES UNLESS OTHERWISE SPECIFIED: | | APVD 16SEP2020 S EGBERT | NAME |
| 0 PLC ± - 1 PLC ± - 2 PLC ± - 3 PLC ± - 4 PLC ± - ANGLES ± - | | PRODUCT SPEC | M12, A-CODED PCB MOUNT CABLES |
| MATERIAL | | FINISH | SIZE CAGE CODE DRAWING NO RESTRICTED TO |
| - | | - | A3 00779 C-2823590 - |
| CUSTOMER DRAWING | | | SCALE NTS SHEET 2 OF 2 REV A2 |

Mouser Electronics

Authorized Distributor

Click to View Pricing, Inventory, Delivery & Lifecycle Information:

[TE Connectivity:](#)

[1-2823590-3](#)