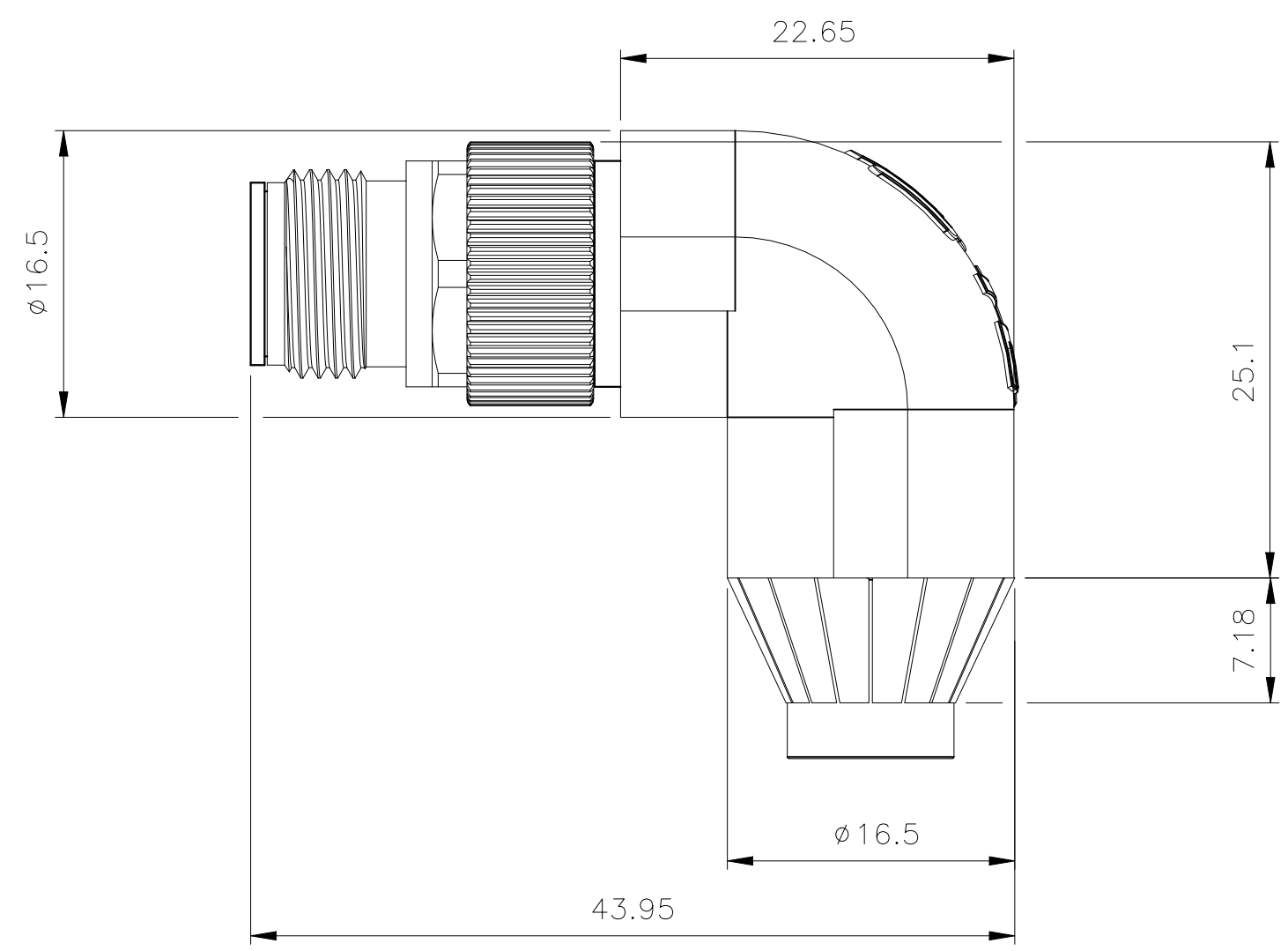
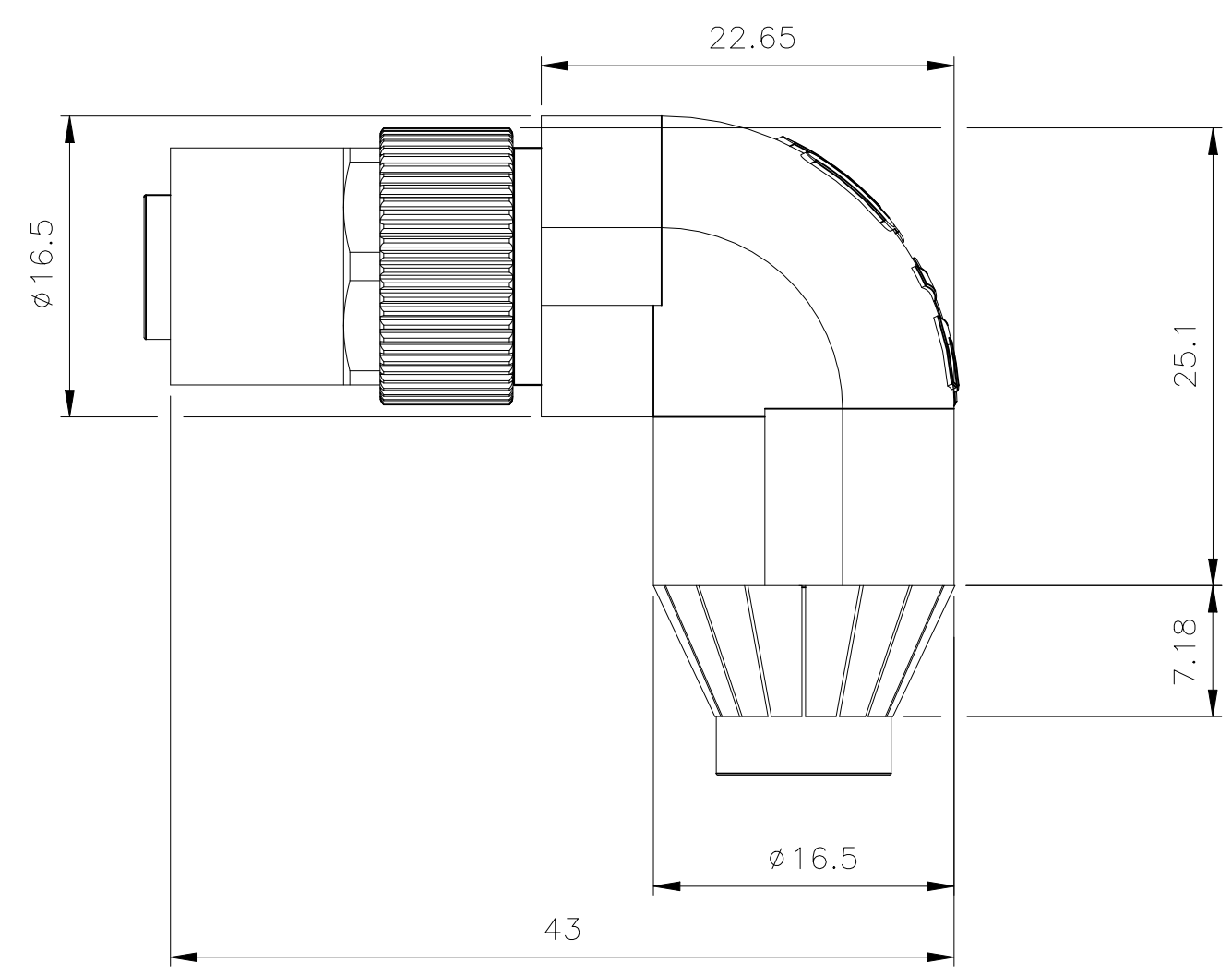


PROJECT	PRJ-14-00004825
PART NO	X-2823588-X
HV DESC	M12 RAIL 90 DEGREE, D-CODED FIELD INSTALLABLE CONNECTORS
CUSTOMER	GENERAL MARKET

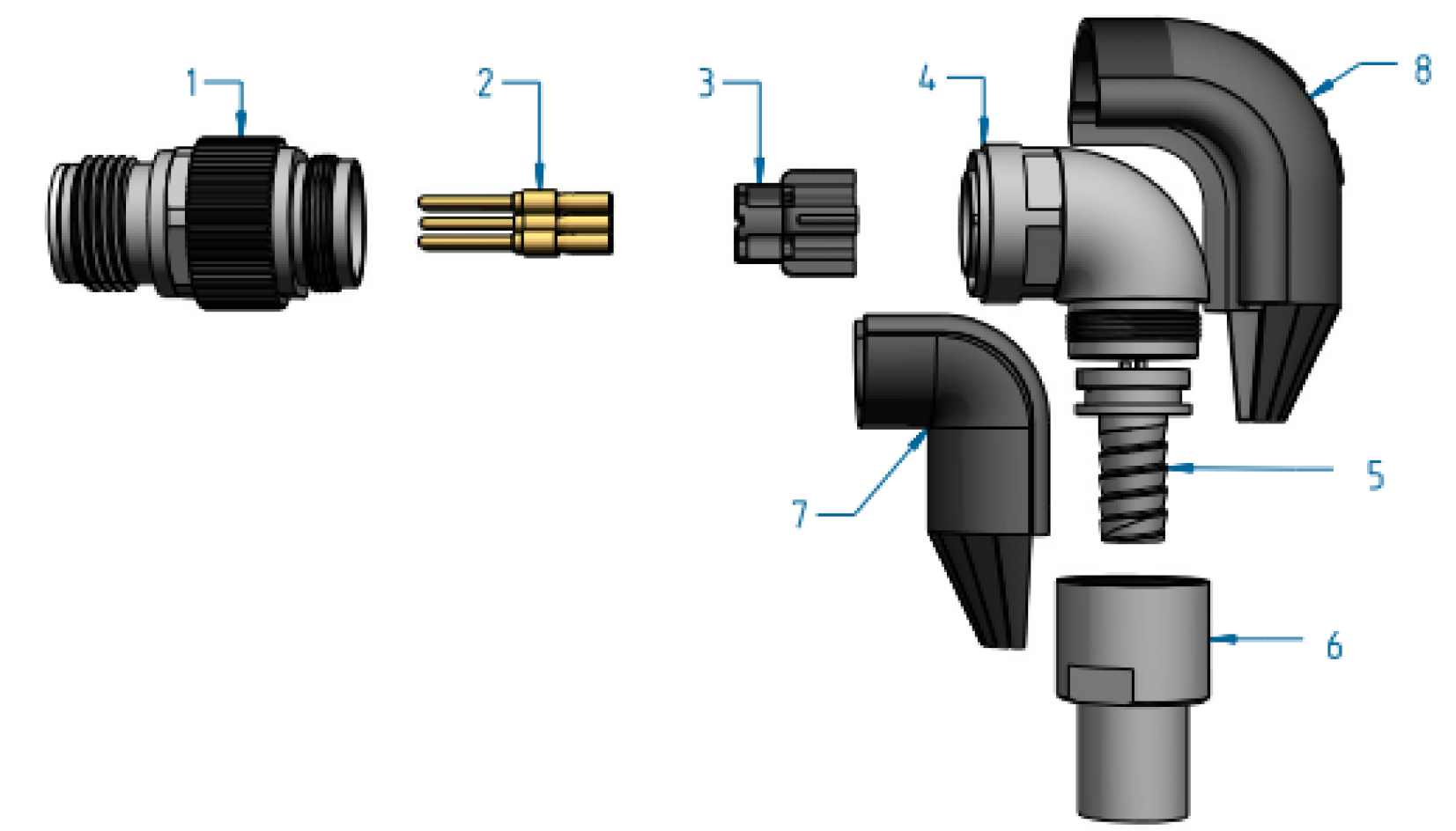
REVISIONS				
REV	DESCRIPTION	DATE	DRN	APVD
A2	CRIMP TOOL INFORMATION UPDATED	18JAN2021	GK	SE



SHOWN: MALE CONNECTOR WITH COVER



SHOWN: FEMALE CONNECTOR WITH COVER



SHOWN: MALE CONNECTOR WITH COVER 90°

Cable preparation		Recommended Contact crimping tools		Recommended Jacket Crimping Tools		Crimp Flange insertion			
Conductor stripping	Jacket cutting	Hand tool	Contact positioner	Crimp Selection number*	Crimp Tool	Tool Setting	Handle	Insert for handle	Connector assembly tool
734185-1	2119000-1	601966-1	1-2823582-1	6	2380757-2	GREEN GREEN ORNAGE ORNAGE	1-2823560-1	1-2823561-1	1-2823564-1
				5		WHITE WHITE			

TE PN	Description	Coding	Number of positions	Gender	Number of contacts included	Connector type	Applicable on cable	Manufacturer PN	Category	Color	Conductor size	Conductor stripping	Jacket cutting	Hand tool	Contact positioner	Crimp Selection number*	Crimp Tool	Tool Setting	Handle	Insert for handle	Connector assembly tool
1-2823588-1	M12 D-90 DEGR-M-4,CAT 5 RADOX 7.3MM, H&S	D	4	Male	4	Right Angle	Radox 7.3mm	H&S 12568935	Cat 5	Black	4 x AWG22	734185-1	2119000-1	601966-1	1-2823582-1	6	2380757-2	GREEN	1-2823560-1	1-2823561-1	1-2823564-1
1-2823588-2	M12 D-90 DEGR-F-4,CAT 5 RADOX 7.3MM, H&S			Female		Right Angle	Radox 7.3mm	H&S 12568935	Cat 5	Black	4 x AWG22							GREEN			
1-2823588-3	M12 D-90 DEGREE-M-4, CAT 5E 8.4MM, TE			Male		Right Angle	TE Cat 5e cable TECC0026C5	TE 2320808-1	Cat 5e	Blue	4 x AWG22							ORNAGE			
1-2823588-4	M12 D-90 DEGREE-F-4, CAT 5E 8.4MM, TE			Female		Right Angle	TE Cat 5e cable TECC0026C5	TE 2320808-1	Cat 5e	Blue	4 x AWG22							ORNAGE			
1-2823588-5	M12 D90 DEG-M4, CAT5E,ROCKBESTO TD010301			Male		Right Angle	Exane	Rockbestos TD-010301	Cat 5e	Black	4 x AWG24							WHITE			
1-2823588-6	M12 D90 DEG-F4, CAT5E,ROCKBESTO TD010301			Female		Right Angle	Exane	Rockbestos TD-010301	Cat 5e	Black	4 x AWG24							WHITE			

\*TOOL SETTING MUST BE VALIDATED ON CABLE USED



ISO VIEW  
M12 D-4 90 DEGREE MALE CONNECTOR



ISO VIEW  
M12 D-4 90 DEGREE FEMALE CONNECTOR

- NOTES:
- ALL DIMENSIONS ARE FOR NOMINAL REFERENCE ONLY.
  - PACKAGING: 1 PIECE IN A BOX, CONTACTS INCLUDED.
  - THE CONNECTOR IS AS PER IEC 61076-2-101.
  - TEMPERATURE RANGE: WITH CABLE BOOT -40°C TO +70°C. WITHOUT CABLE BOOT -40°C TO +85°C.
  - VIBRATION & SHOCK TEST CONDUCTED AS PER IEC 61373:CAT1 CLASS B.
  - FIRE PERFORMANCE CONDUCTED AS PER EN45545-2 HL3 R22/R23, NFF16-101 AND NFF16-102.
  - SPECIAL CRIMP FLANGE SYSTEM WITH CRIMP INSERT AND CRIMP SLEEVE SECURES THE EFFECTIVE SHIELDING OVER THE LIFETIME WITH EXTREMELY HARD CONDITIONS.
  - VIBRATION AND TORSION-PROOF CABLE STRAIN RELIEF FOR ROUGH ENVIRONMENT ACHIEVED BY HEXAGONAL CRIMP OF THE CRIMP SLEEVE OF THE CRIMP FLANGE SYSTEM.
  - DEGREE OF PROTECTION: IP 67 (ONLY SCREW-LOCKED).
  - DATA TRANSMISSION RATE: 10/100 Mbit/s.
  - CURRENT RATING: 4A, NOMINAL VOLTAGE: 50V, CONTACT RESISTANCE: ≤ 5 mΩ, INSULATION RESISTANCE: ≥ 100 mΩ.
  - DURABILITY: ≥ 200 MATING CYCLES

ITEM	DESCRIPTION	MATERIAL	QTY	UNITS
8	TOP COVER	THERMOPLAST	1	PC
7	BOTTOM COVER	THERMOPLAST	1	PC
6	BACK NUT & CRIMP SLEEVE	Cu ALLOY Ni-PLATED	1	PC
5	CRIMP INSERT	Cu ALLOY Ni-PLATED	1	PC
4	90° ELBOW	Cu ALLOY Ni-PLATED	1	PC
3	CONTACT HOLDER	THERMOPLAST	1	PC
2	CRIMP CONTACTS MACHINED	Cu ALLOY Au-PLATED	5	PC
1	FRONT HOUSING	Cu ALLOY Ni-PLATED	1	PC

THIS DRAWING IS A CONTROLLED DOCUMENT.

DIMENSIONS: mm

TOLERANCES UNLESS OTHERWISE SPECIFIED:

0. PLC	± 0.1
1. PLC	± 0.1
2. PLC	± 0.1
3. PLC	± 0.1
4. PLC	± 0.1
ANGLES	± 0.5

MATERIAL: - FINISH: -

WEIGHT: -

CUSTOMER DRAWING

DIN 164R2019  
GOPALAKRISHNA HV  
S EGBERT  
S EGBERT  
164R2019

NAME: M12 RAIL 90 DEGREE, D-CODED M-4 AND F-4 CONNECTORS

PRODUCT SPEC: 108-156001

APPLICATION SPEC

SIZE: A1

SCALE: NTS

SHEET: 1 of 1

REV: A2

# Mouser Electronics

Authorized Distributor

Click to View Pricing, Inventory, Delivery & Lifecycle Information:

[TE Connectivity:](#)

[1-2823588-4](#)