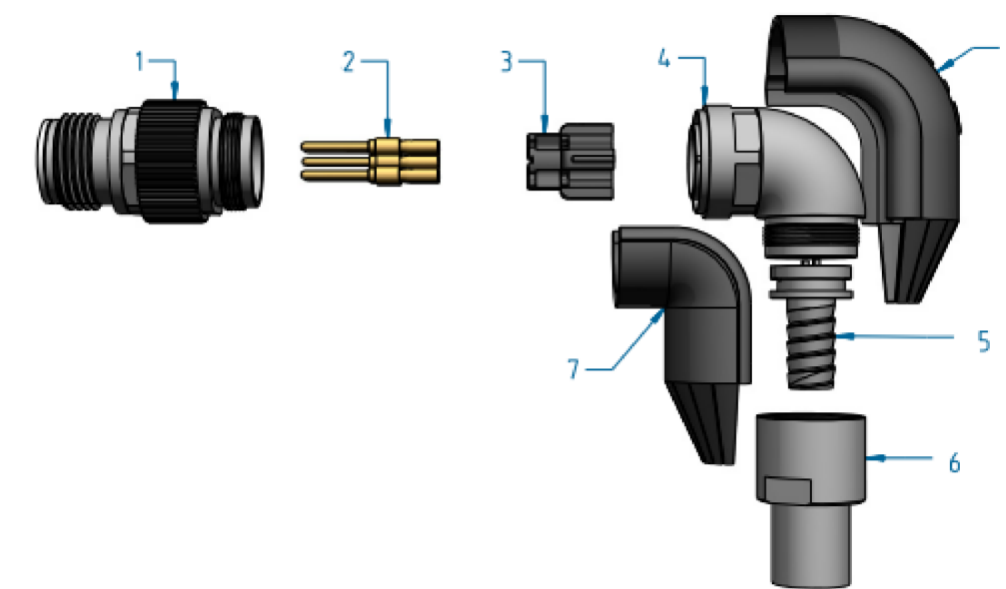
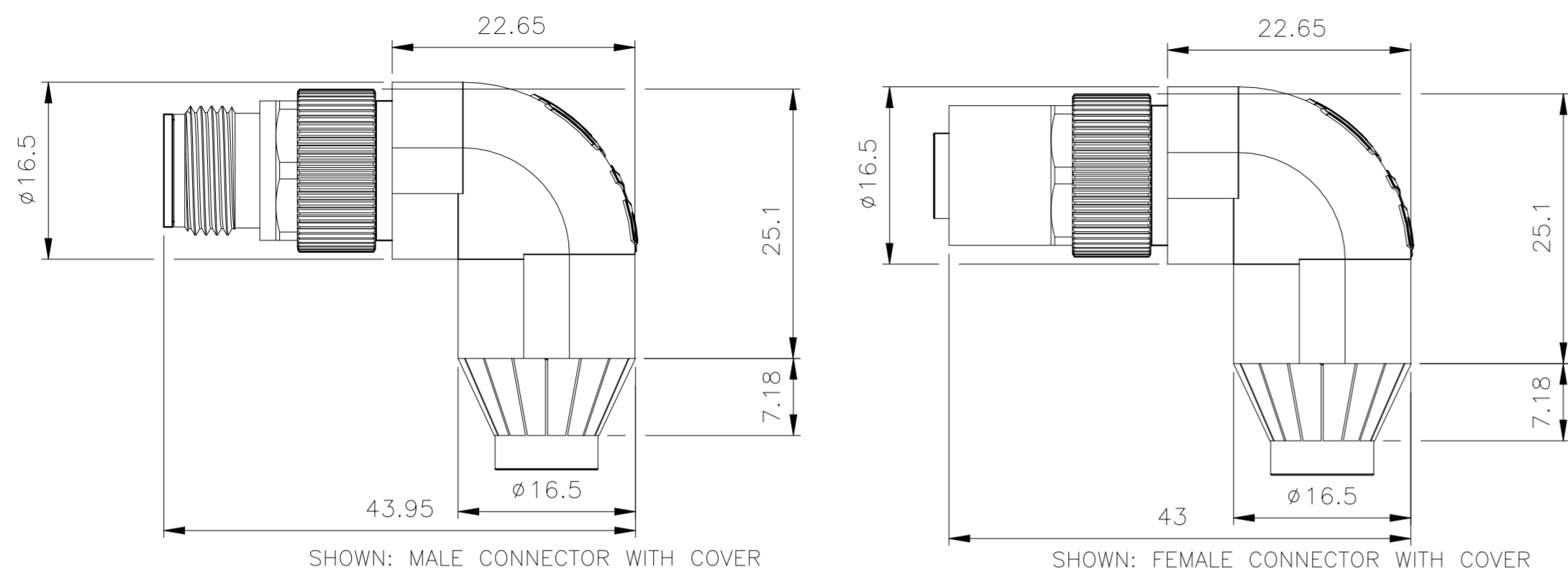


© 2021 TE Connectivity. All Rights Reserved.	
PROJECT	PRJ-14-000004825
PART NO	X-2823587-X
HV DESC	M12 A-90 DEGREE, M-5 AND M-8 FIELD INSTALLABLE CONNECTORS
CUSTOMER	GENERAL MARKET

REVISIONS					
P	LTR	DESCRIPTION	DATE	DWN	APVD
A2		CRIMP TOOL INFORMATION UPDATED	18JAN2021	GK	SE



SHOWN: MALE CONNECTOR WITH COVER

TE PN	Description	Coding	Number of positions	Gender	Number of contacts included	Connector type	Applicable on cable	Manufacturer PN	Category	Color	Conductor size	Cable preparation		Recommended Contact crimping tools		Recommended Jacket Crimping Tools		Crimp Flange insertion			
												Conductor stripping	Jacket cutting	Hand tool	Contact positioner	Crimp Selection number*	Crimp Tool	Tool Setting	Handle	Insert for handle	Connector assembly tool
1-2823587-1	M12 A-90 DEGREE-M-5, CAT 5E 6.5MM, TE	A	5	Male	5	Right Angle	TE Cat 5e cable TECC0026C5	TE 2320808-1	Cat 5e	Blue	4 x AWG22	734185-1	2119000-1	601966-1	1-2823582-1	6	2380757-2	ORANGE	1-2823560-1	1-2823561-1	1-2823564-1
1-2823587-2	M12 A-90 DEGREE-F-5, CAT 5E 6.5MM, TE		5	Female	5	Right Angle	TE Cat 5e cable TECC0026C5	TE 2320808-1	Cat 5e	Blue	4 x AWG22										
1-2823587-3	M12 A-90 DEGREE-M-8, CAT 7 8.4MM, TE		8	Male	8	Right Angle	TE Cat 7 cable TECC0011C7	TE 2297799-1	Cat 7	Blue	8 x AWG24										
1-2823587-4	M12 A-90 DEGREE-F-8, CAT 7 8.4MM, TE		8	Female	8	Right Angle	TE Cat 7 cable TECC0011C7	TE 2297799-1	Cat 7	Blue	8 x AWG24										
1-2823587-5	M12 A90 DEG-M-4, ROCKBESTOS TD-003553		4	Male	4	Right Angle	Exane	Rockbestos TD-003553	N/A	Dark Grey	4 x AWG18										
1-2823587-6	M12 A90 DEG-F-4, ROCKBESTOS TD-003553		4	Female	4	Right Angle	Exane	Rockbestos TD-003553	N/A	Dark Grey	4 x AWG18										
1-2823587-7	M12 A90 DEG-M-8, GENERAL CABLE 443230		8	Male	8	Right Angle	General Cable	General cable 443230	Cat 5e	Black	8 x AWG24										
1-2823587-8	M12 A90 DEG-F-8, GENERAL CABLE 443230		8	Female	8	Right Angle	General Cable	General cable 443230	Cat 5e	Black	8 x AWG24										



ISO VIEW  
M12 A-5 90 DEGREE  
MALE CONNECTOR



ISO VIEW  
M12 A-5 90 DEGREE  
FEMALE CONNECTOR



ISO VIEW  
M12 A-8 90 DEGREE  
MALE CONNECTOR



ISO VIEW  
M12 A-8 90 DEGREE  
FEMALE CONNECTOR

NOTES:

- ALL DIMENSIONS ARE FOR NOMINAL REFERENCE ONLY.
- PACKAGING: 1 PIECE IN A BOX, CONTACTS INCLUDED.
- THE CONNECTOR IS AS PER IEC 61076-2-101.
- TEMPERATURE RANGE: WITH CABLE BOOT -40°C TO +70°C. WITHOUT CABLE BOOT -40°C TO +85°C.
- VIBRATION & SHOCK TEST CONDUCTED AS PER IEC 61373:CAT1 CLASS B.
- FIRE PERFORMANCE CONDUCTED AS PER EN45545-2 HL3 R22/R23, NFF16-101 AND NFF16-102.
- SPECIAL CRIMP FLANGE SYSTEM WITH CRIMP INSERT AND CRIMP SLEEVE SECURES THE EFFECTIVE SHIELDING OVER THE LIFETIME WITH EXTREMELY HARD CONDITIONS.
- VIBRATION AND TORSION-PROOF CABLE STRAIN RELIEF FOR ROUGH ENVIRONMENT ACHIEVED BY HEXAGONAL CRIMP OF THE CRIMP SLEEVE OF THE CRIMP FLANGE SYSTEM.
- DEGREE OF PROTECTION: IP 67 (ONLY SCREW-LOCKED).
- DATA TRANSMISSION RATE: 10/100 Mbit/s.
- CURRENT RATING: A-8: 2A, NOMINAL VOLTAGE: 30V, CONTACT RESISTANCE: ≤ 5 mΩ, INSULATION RESISTANCE: ≥ 100 mΩ.
- CURRENT RATING: A-4/A-5: 4A, NOMINAL VOLTAGE: 250VAC/50VDC, CONTACT RESISTANCE: ≤ 5 mΩ, INSULATION RESISTANCE: ≥ 100 mΩ.
- DURABILITY: ≥ 200 MATING CYCLES

\*TOOL SETTING MUST BE VALIDATED ON CABLE USED

8	TOP COVER	THERMOPLAST	1	PC
7	BOTTOM COVER	THERMOPLAST	1	PC
6	BACK NUT & CRIMP SLEEVE	Cu ALLOY Ni-PLATED	1	PC
5	CRIMP FLANGE	Cu ALLOY Ni-PLATED	1	PC
4	90° ELBOW	Cu ALLOY Ni-PLATED	1	PC
3	CONTACT HOLDER	THERMOPLAST	1	PC
2	CRIMP CONTACTS MACHINED	Cu ALLOY Au-PLATED	5	PC
1	FRONT HOUSING	Cu ALLOY Ni-PLATED	1	PC
ITEM	DESCRIPTION	MATERIAL	QTY	UNITS

THIS DRAWING IS A CONTROLLED DOCUMENT.		DWN	16APR2019	GOPALAKRISHNA HV	
		CHK	16APR2019	S EGBERT	
		APVD	16APR2019	S EGBERT	
		PRODUCT SPEC	108-156001		
		APPLICATION SPEC			
DIMENSIONS: mm		TOLERANCES UNLESS OTHERWISE SPECIFIED:	NAME		
0 PLC ± -		1 PLC ± -	M12 A-90 DEGREE, A-CODED M-5, M-8, F-5 AND F8 CONNECTORS		
2 PLC ± -		3 PLC ± -	SIZE	CAGE CODE	DRAWING NO
4 PLC ± -		ANGLES ± -	A2	00779	C=2823587
MATERIAL		FINISH	WEIGHT	RESTRICTED TO	
			CUSTOMER DRAWING	SCALE	SHEET
				NTS	1 OF 1
				REV	A2

# Mouser Electronics

Authorized Distributor

Click to View Pricing, Inventory, Delivery & Lifecycle Information:

[TE Connectivity:](#)

[1-2823587-4](#)