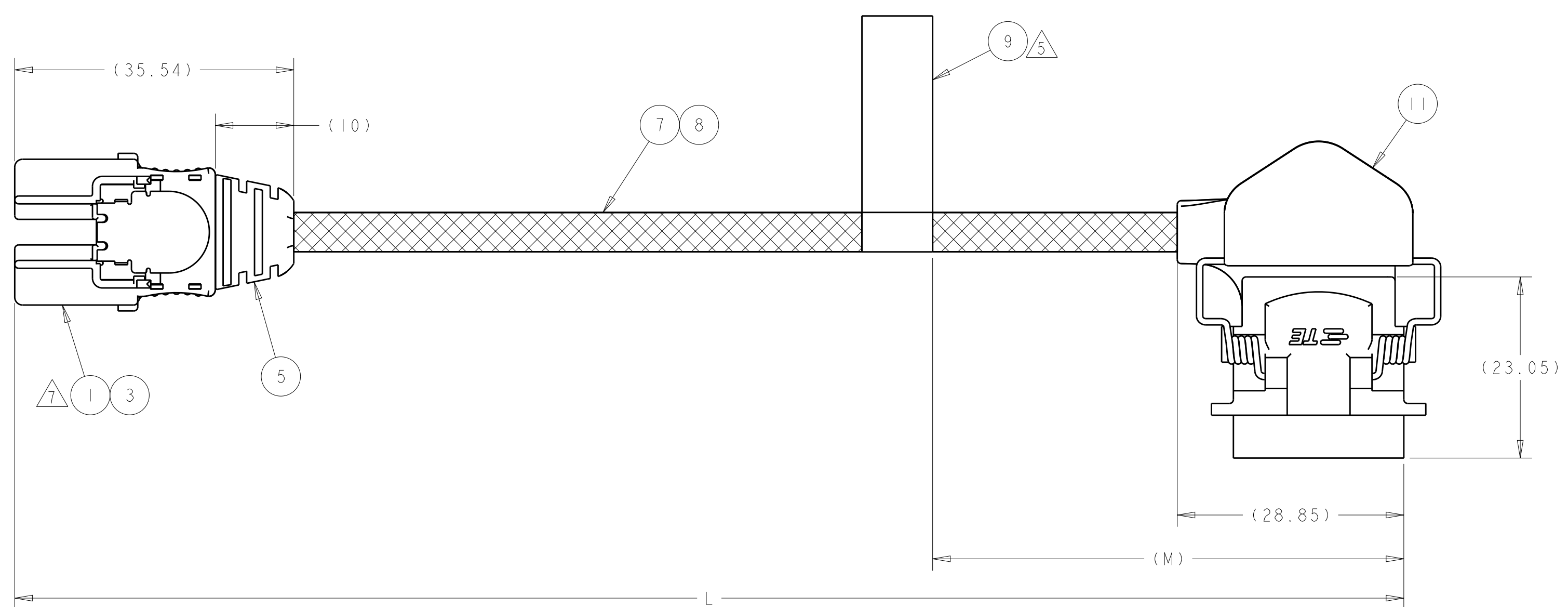
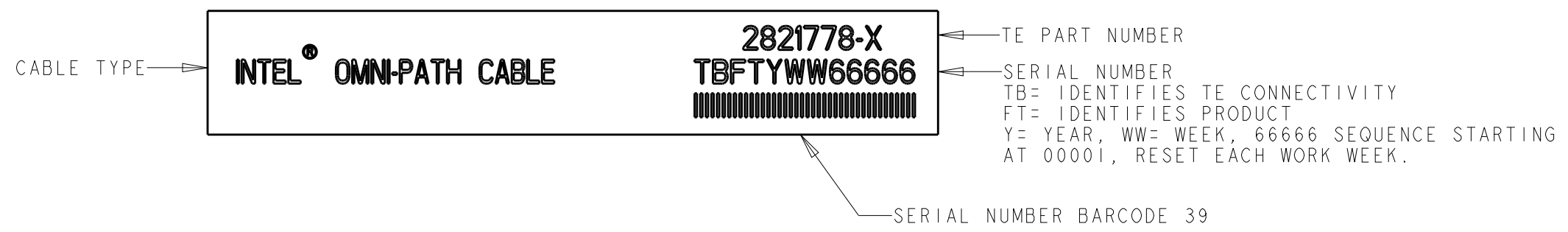


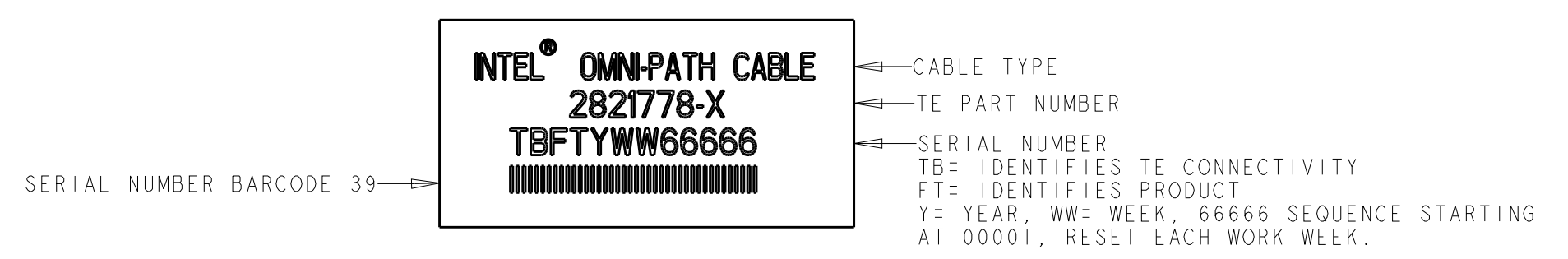
REVISIONS				
P	LTN	DESCRIPTION	DATE	OWN APVD
A1	ECO-17-007675		01JUN2017	GL CP
B	ECO-18-007459		24APR2018	FZ CP



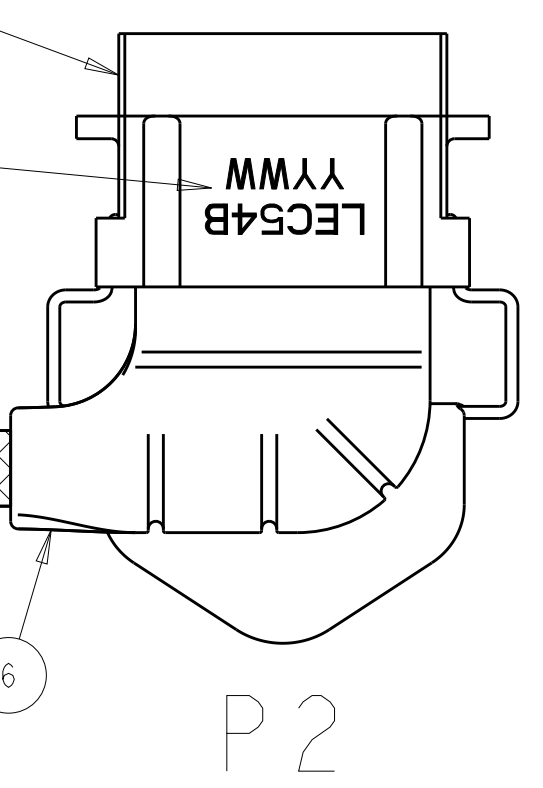
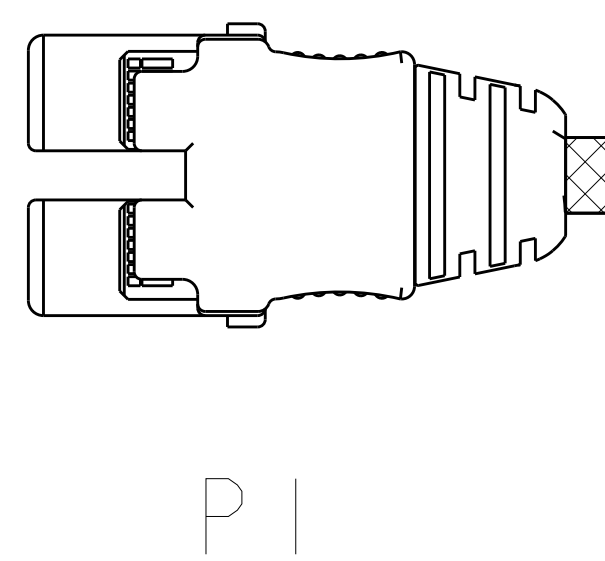
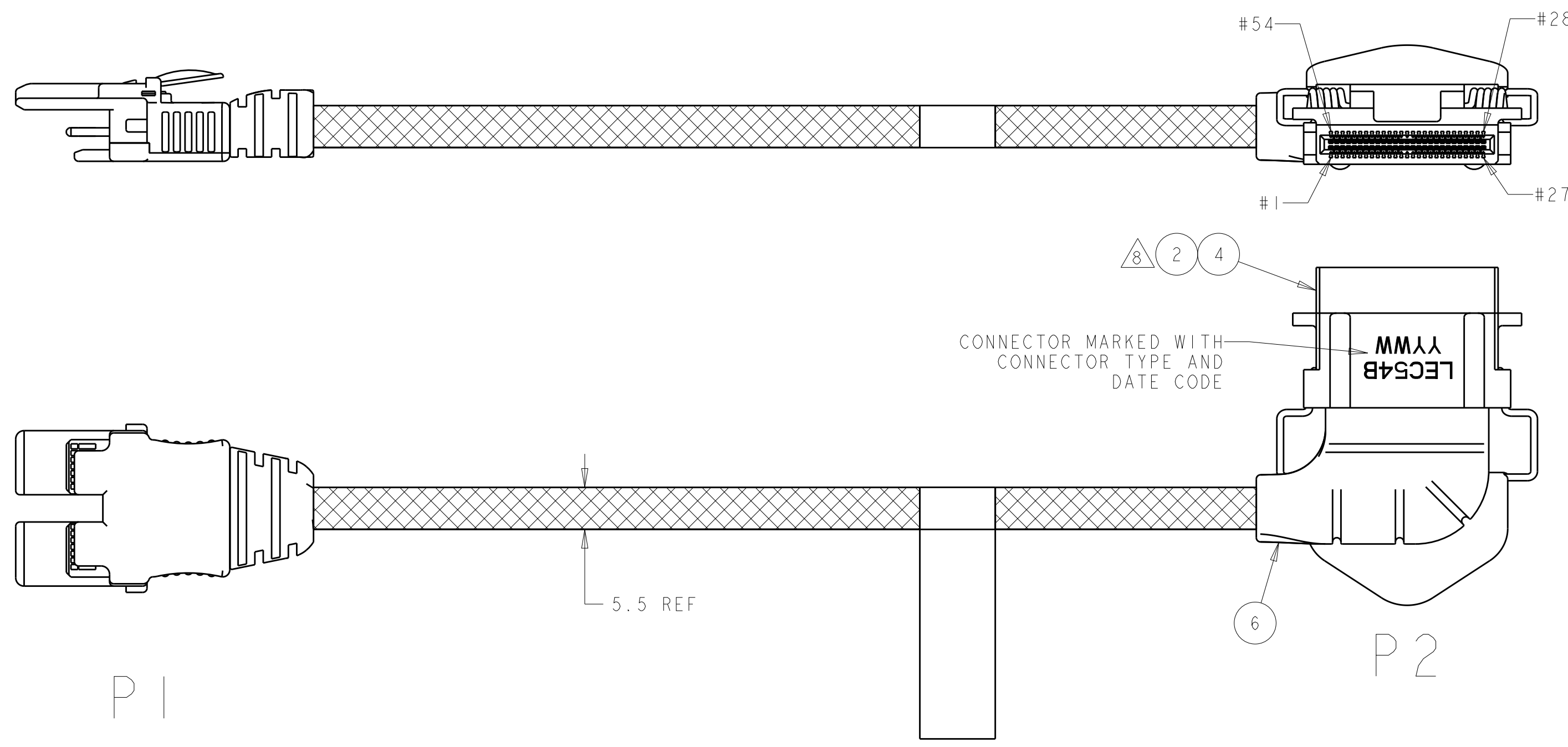
- THIS ASSEMBLY CONFORMS TO INTEL PART NO. (SEE TABLE).
  - EACH ASSEMBLY TESTED FOR OPENS, SHORTS AND SIGNAL INTEGRITY.
  - ALL MATERIALS, COMPONENTS, AND PROCESSES SHALL COMPLY WITH TEC-138-702 AND CONTAIN NO BANNED OR RESTRICTED SUBSTANCES.
  - EACH ASSEMBLY PACKAGED IN ESD MOISTURE BARRIER BAG WITH DESICCANT.
- △ LABEL INFORMATION (ITEM 9): 2821778-1



△ LABEL INFORMATION (ITEM 10): 2821778-2,-3,-5 (SEE SHEET 2)

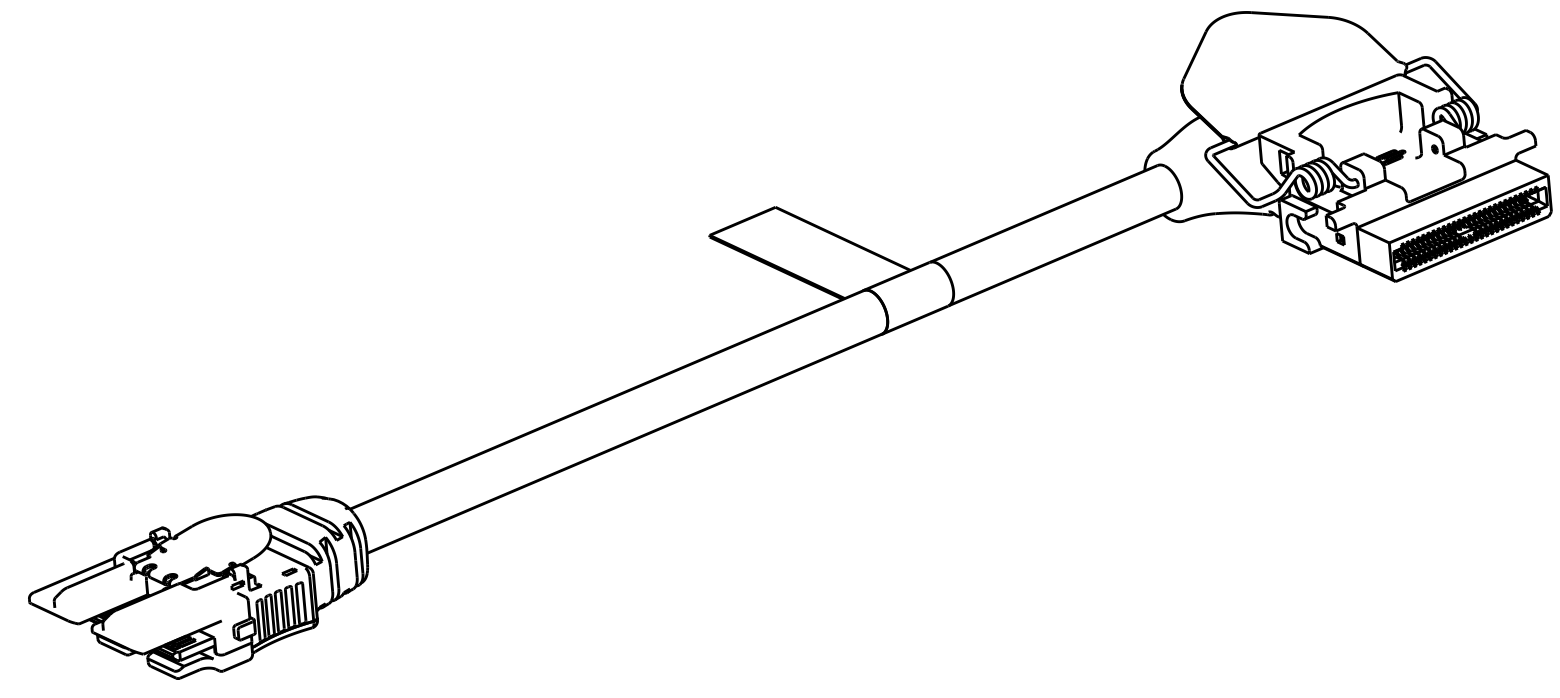


- △ FINISH (CONTACT PADS): 30μIN MINIMUM GOLD PER TE SPEC 112-162-1 OVER 100μIN MINIMUM NICKEL PER TE SPEC 112-25-2.
- △ FINISH: 50μIN MINIMUM GOLD PER TE SPEC 112-162-5, IN LOCALIZED GOLD PLATE AREA, OVER 50μIN MINIMUM NICKEL PER TE 112-25-2 ON ENTIRE STOCK.
- △ CABLE PART #: 023B2LF023  
 CABLE SPEC: 104-1587.
10. CABLE ASSEMBLY BUILT IN ACCORDANCE WITH INTEL DESIGN GUIDE 1.0
- △ CABLE ASSEMBLY LENGTH OFFERED BY TE IS NOT REFERENCED WITHIN INTEL DESIGN GUIDE 1.0
12. NO REACH SVHC SHALL BE CONTAINED ABOVE THE THRESHOLD AS DEFINED IN REACH SVHC COMPLIANCE DEFINITION IN ANNEX A OF TEC-138-702.
13. LOW HALOGEN REQUIREMENT: CL<900PPM, Br<900PPM, CL+Br<1500PPM PER HOMOGENEOUS MATERIAL.



CABLE PINOUT			
PAIR	PIN NAME	P1	P2
GROUND BUS	-	1	1
1	HF10_RX_DN(1)	2	2
	HF10_RX_DP(1)	3	3
GROUND BUS	-	4	4
GROUND BUS	-	28	4
2	HF10_RX_DN(2)	27	5
	HF10_RX_DP(2)	26	6
GROUND BUS	-	25	7
3	HF10_RX_DN(3)	5	8
	HF10_RX_DP(3)	6	9
GROUND BUS	-	25	10
4	HF10_RX_DN(4)	24	11
	HF10_RX_DP(4)	23	12
GROUND BUS	-	22	13
GROUND BUS	-	7	14
GROUND BUS	-	8	15
5	HF10_TX_DP(4)	9	16
	HF10_TX_DN(4)	10	17
GROUND BUS	-	21	18
6	HF10_TX_DP(3)	20	19
	HF10_TX_DN(3)	19	20
GROUND BUS	-	11	21
7	HF10_TX_DP(2)	12	22
	HF10_TX_DN(2)	13	23
GROUND BUS	-	14	24
GROUND BUS	-	18	24
8	HF10_TX_DP(1)	17	25
	HF10_TX_DN(1)	16	26
GROUND BUS	-	15	27

2821778-1

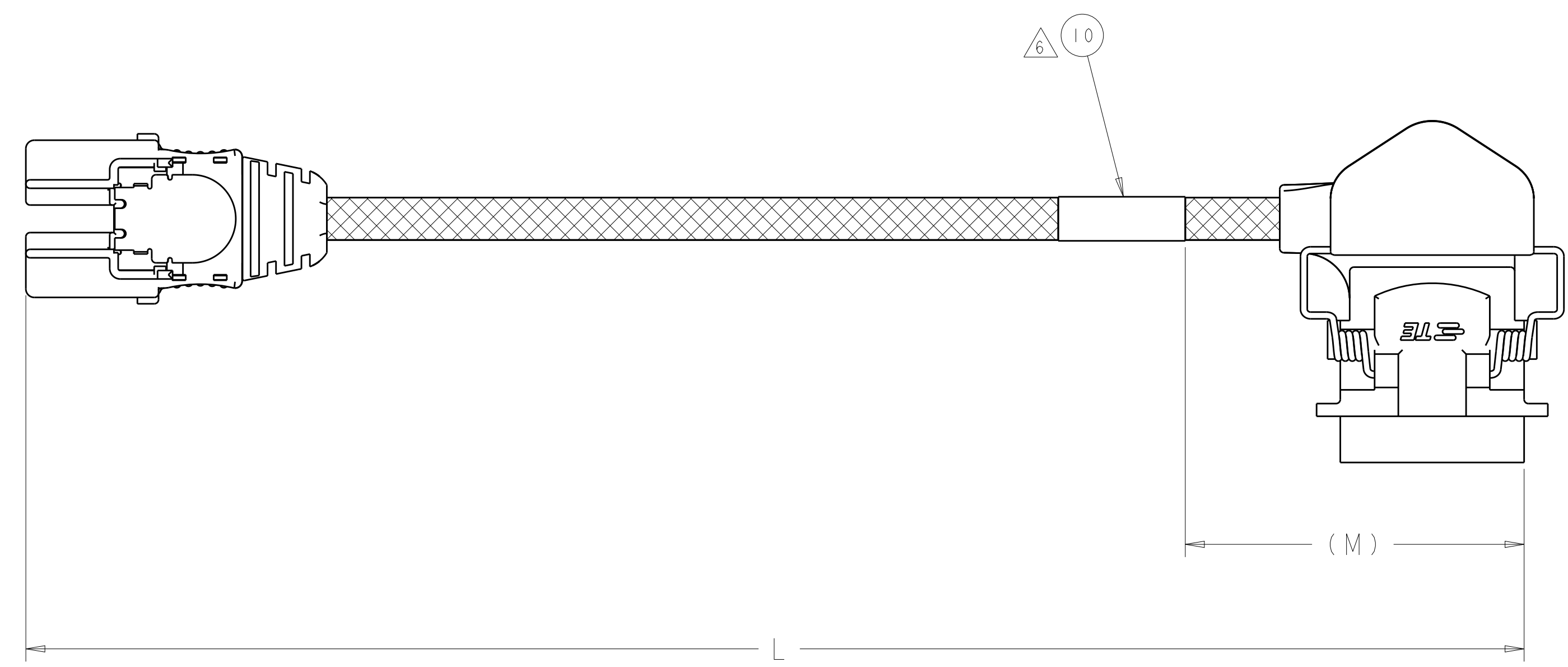


△ WRAP (SHEET 2)	60	400±5	-	2821778-5
△ WRAP (SHEET 2)	60	610±10	-	2821778-3
△ WRAP (SHEET 2)	60	460±5	-	2821778-2
△ FLAG (SHEET 1)	60	142±5	-	2821778-1
LABEL TYPE	(M)	L	INTEL PART NO	TE PART NO

QTY	DESCRIPTION	ITEM NO			
1	PULL TAB	11			
1	LABEL, WRAP	10			
1	LABEL, FLAG	9			
AR	SLEEVING, EXPANDABLE	8			
AR	85 OHM TWINAX CABLE, 30AWG 25G TURBO TWIN™	7			
1	OVERMOLDED STRAIN RELIEF, LECB	6			
1	OVERMOLDED STRAIN RELIEF, IFP	5			
1	DUST COVER, LECB (NOT SHOWN)	4			
1	DUST COVER, IFP (NOT SHOWN)	3			
1	LEC 54B RECPT, 54 POSN	2			
1	IFP PLUG, 28 POSN	1			
-5	-3	-2	-1	DESCRIPTION	ITEM NO

THIS DRAWING IS A CONTROLLED DOCUMENT.		OWN: T. SMITH 15JUL2016	 TE Connectivity
DIMENSIONS: mm		CHK: C. POGASH 15JUL2016	
TOLERANCES UNLESS OTHERWISE SPECIFIED:		APVD: -	NAME: IFP ASSEMBLY, TYPE B, RIGHT EXIT 1-PORT, NON-INVERTED.
0 PLC ±0.5	1 PLC ±0.5	PRODUCT SPEC	SIZE: A1
2 PLC ±0.13	3 PLC ±0.13	APPLICATION SPEC	CAGE CODE: -
4 PLC ±0.013	5 PLC ±0.013	WEIGHT	DRAWING NO: C=2821778
ANGLES ±	FINISH	CUSTOMER DRAWING	RESTRICTED TO
SCALE: 2:1		SHEET 1 OF 2	

REVISIONS				
P.	LTN	DESCRIPTION	DATE	APVD
		SEE SHEET 1		



2821778-2,-3,-5  
 WRAP AROUND LABEL  
 REQUIREMENT  
 ALL ASSEMBLY REQUIREMENTS  
 SAME AS -1 EXCEPT FOR  
 LABEL

THIS DRAWING IS A CONTROLLED DOCUMENT.		DWN T. SMITH 15JUL2016 CHK C. POGASH 15JUL2016 APVD -	<b>TE</b> TE Connectivity	
DIMENSIONS: mm		TOLERANCES UNLESS OTHERWISE SPECIFIED: 0 PLC ± 1 PLC ±0.5 2 PLC ±0.13 3 PLC ±0.013 4 PLC ± ANGLES ±		NAME PRODUCT SPEC APPLICATION SPEC
MATERIAL FINISH		WEIGHT CUSTOMER DRAWING		SIZE A1 CAGE CODE - DRAWING NO. ©=2821778 RESTRICTED TO
		SCALE 2:1		SHEET 2 OF 2 REV B

# Mouser Electronics

Authorized Distributor

Click to View Pricing, Inventory, Delivery & Lifecycle Information:

[TE Connectivity:](#)

[2821778-2](#)