

4

3

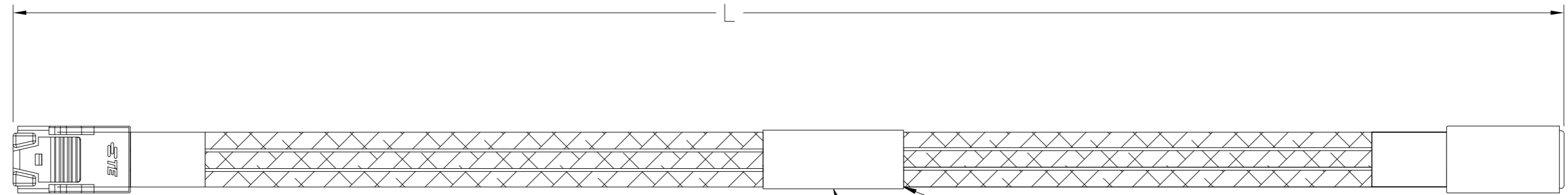
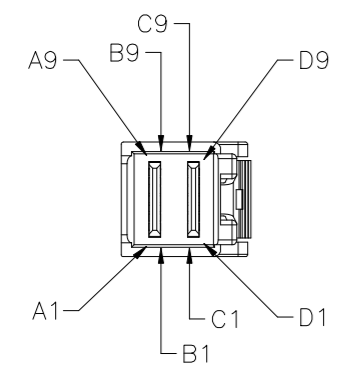
2

1

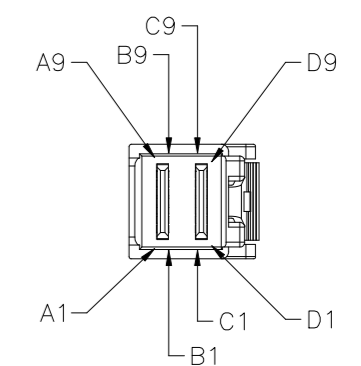
THIS DRAWING IS UNPUBLISHED. RELEASED FOR PUBLICATION. ALL RIGHTS RESERVED.

| REVISIONS | | | | | |
|-----------|-----|---------------|-----------|-----|------|
| P | LTR | DESCRIPTION | DATE | DWN | APVD |
| C1 | | ECO-18-018488 | 28SEP2018 | KY | DZ |

P1



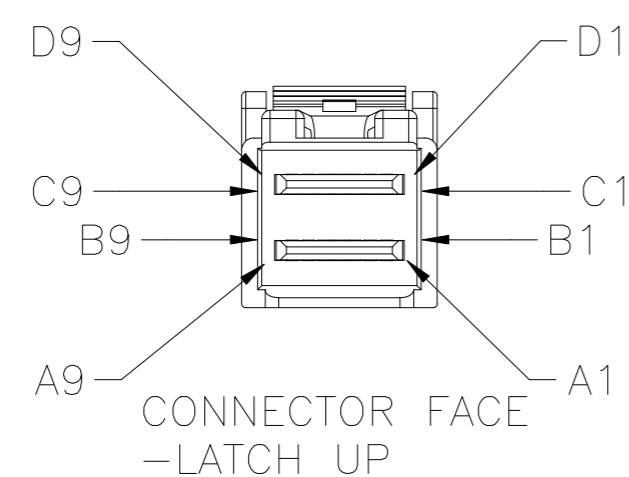
P2



PLUG, MINI-SAS HD

LABEL

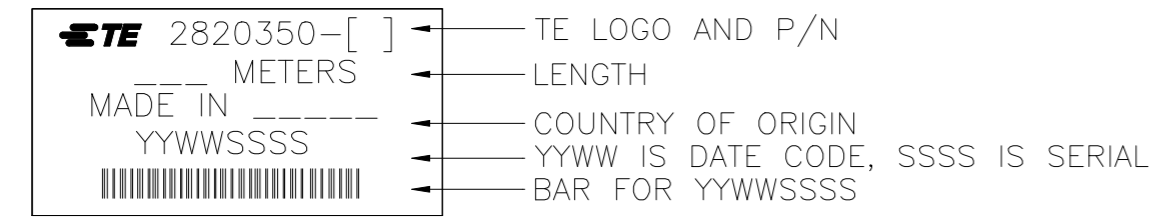
DISCRETE PAIRS AND BRAIDED SLEEVING



1. ASSEMBLY TO BE 100% TESTED FOR CONTINUITY, SHORTS, AND OPENS, CABLES ASSEMBLYS ARE ALSO TO BE 100% TESTED FOR SIGNAL INTEGRITY, TO SAS 3.0 REQUIREMENTS.


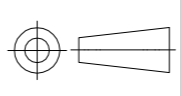
2. ROHS AND REACH COMPLIANCE: PRODUCT AND PROCESSING MEETS REQUIREMENTS OF TE SPECIFICATION TEC-138-702.

3. LABEL CENTERED AND LABEL INFORMATION AS BELOW:



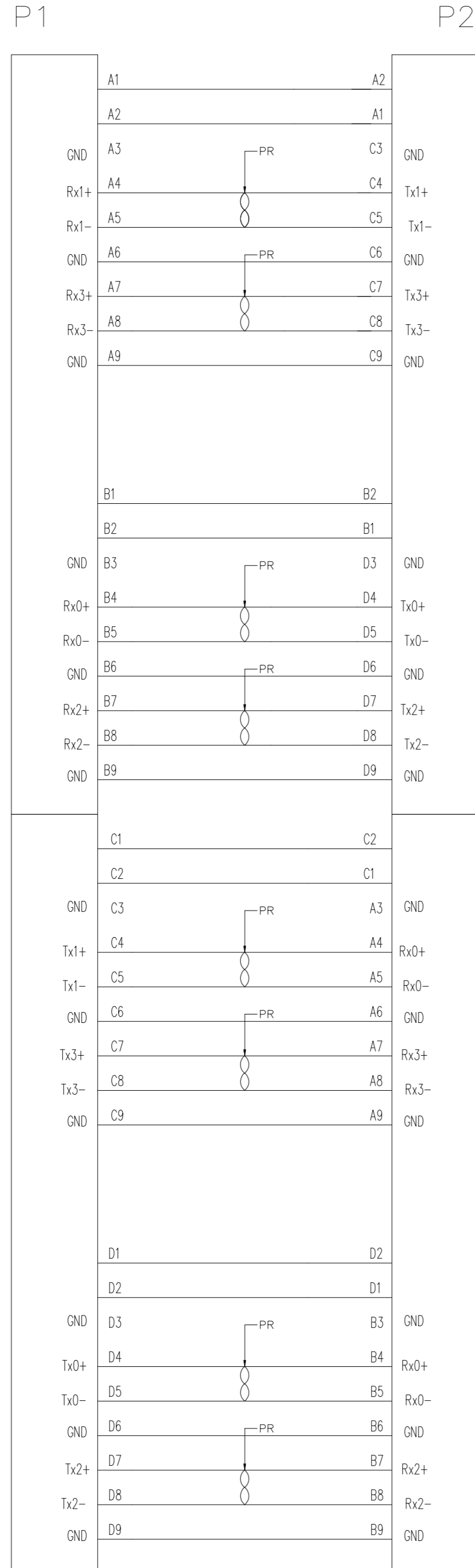
4. SEE SHEET #2 FOR WIRING SCHEMATIC.

| | | |
|------|-----------|-----------|
| 200 | +25 -0 | 2820350-5 |
| 1000 | +25 -0 | 2820350-4 |
| 700 | +25 -0 | 2820350-3 |
| 500 | +25 -0 | 2820350-2 |
| 300 | +25 -0 | 2820350-1 |
| "L" | [MM] | TE P/N |

| | | | | |
|---|--|----------------------------------|---|-------------------------|
| THIS DRAWING IS A CONTROLLED DOCUMENT. | | DWN M.YI 16/JUN/2014 |  TE Connectivity | |
| DIMENSIONS: mm | | CHK G.GUTGOLD 16/JUN/2014 | | |
| TOLERANCES UNLESS OTHERWISE SPECIFIED: | | APVD G.GUTGOLD 16/JUN/2014 | NAME C/A, INTERNAL HD MINI SAS, STR TO STR 100 OHMS, 4X 30 AWG | |
|  | | PRODUCT SPEC - | APPLICATION SPEC - | RESTRICTED TO - |
| MATERIAL - | | FINISH - | WEIGHT 0 | SIZE A2 |
| | | CAGE CODE 00779 | | DRAWING NO C=2820350 |
| | | CUSTOMER DRAWING | | SCALE N.T.S. |
| | | SHEET 1 of 2 | | REV C1 |

THIS DRAWING IS UNPUBLISHED. RELEASED FOR PUBLICATION
 © COPYRIGHT - By - ALL RIGHTS RESERVED.

| REVISIONS | | | | | |
|-----------|-----|-------------|------|-----|------|
| P | LTR | DESCRIPTION | DATE | DWN | APVD |
| - | - | SEE SHEET 1 | - | - | - |



WIRING PATTERN

| | | | | |
|--|--|----------------------------------|---|--------------------|
| THIS DRAWING IS A CONTROLLED DOCUMENT. | | DWN M.YI 16/JUN/2014 | TE Connectivity | |
| DIMENSIONS: mm | | CHK G.GUTGOLD 16/JUN/2014 | | |
| TOLERANCES UNLESS OTHERWISE SPECIFIED: | | APVD G.GUTGOLD 16/JUN/2014 | NAME C/A, INTERNAL HD MINI SAS, STR TO STR 100 OHMS, 4X 30 AWG | |
| | | PRODUCT SPEC | RESTRICTED TO | |
| MATERIAL | | APPLICATION SPEC | SIZE A2 | CAGE CODE 00779 |
| FINISH | | WEIGHT | DRAWING NO C=2820350 | SCALE N.T.S. |
| | | CUSTOMER DRAWING | SHEET 2 of 2 | REV C1 |

Mouser Electronics

Authorized Distributor

Click to View Pricing, Inventory, Delivery & Lifecycle Information:

[TE Connectivity:](#)

[2820350-3](#)