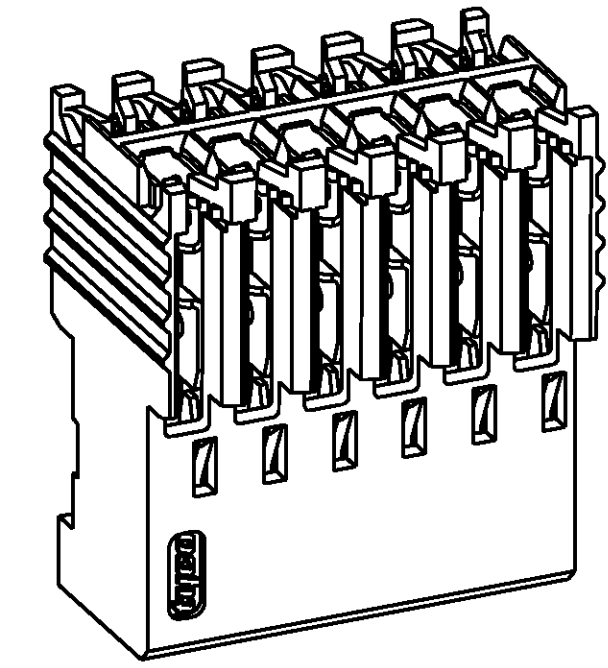
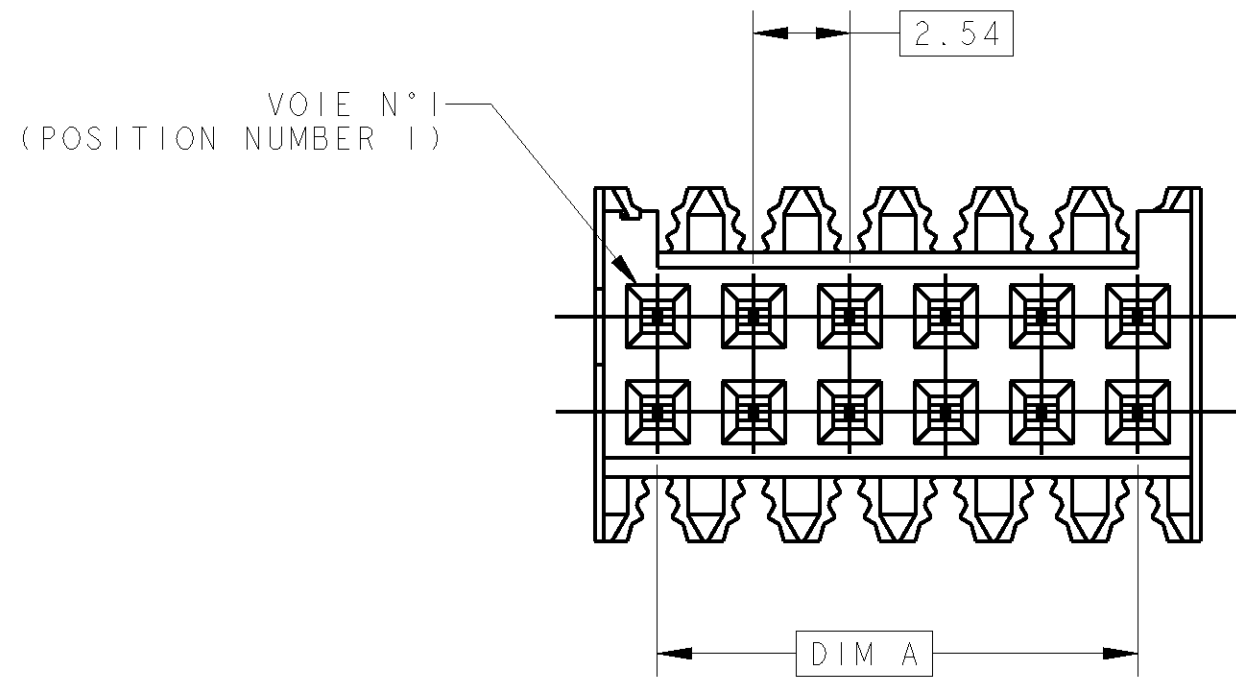


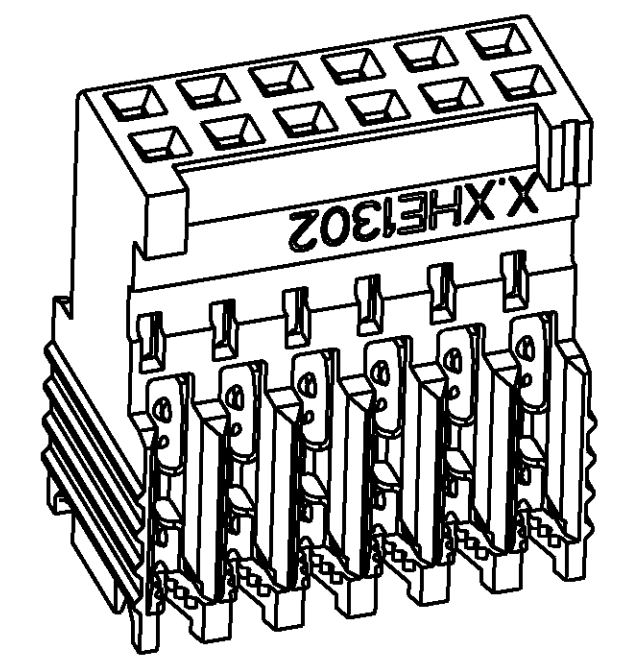
THIS DRAWING IS UNPUBLISHED. DIFFUSION RESTREINTE  
 RELEASED FOR PUBLICATION LIBRE A LA DIFFUSION  
 BY TYCO ELECTRONICS CORPORATION. ALL RIGHTS RESERVED. TOUS DROITS RESERVES

|   |                                   |
|---|-----------------------------------|
| FILS ADMISSIBLES (ACCEPTABLES WIRES)                |                                   |
| JAUGE (AWG)<br>SECTION / 7 BRINS (7 STRANDS)        | 26-24<br>0.12-0.22mm <sup>2</sup> |
| ISOLANT: Ø MAX / MATIERE<br>(INSUL.: Ø MAX / MAT'L) | Ø 1 / PVC                         |

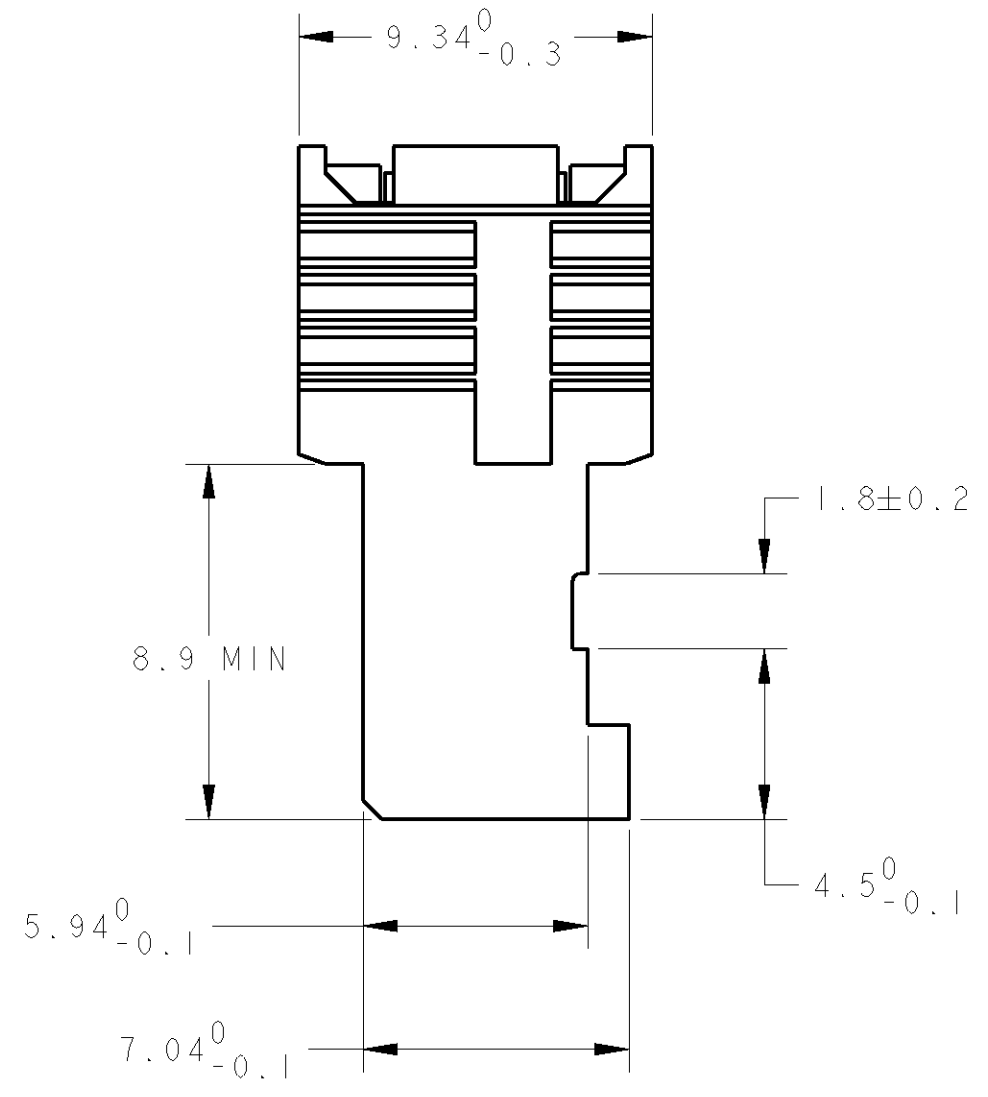
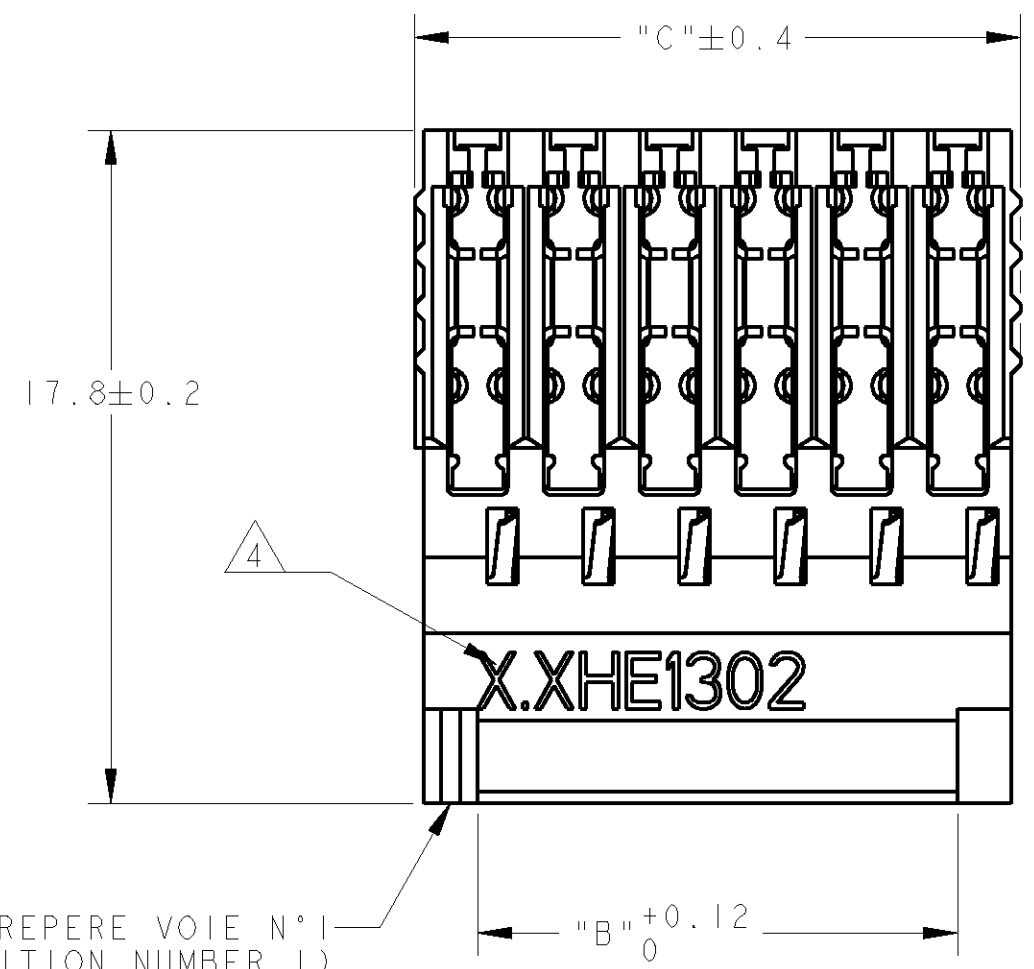
| REVISONS |     | DATE                               | DWN DESS. | APVD APP. |
|----------|-----|------------------------------------|-----------|-----------|
| P        | LTR | DESCRIPTION MODIFICATIONS          |           |           |
|          | A   | REDESSINE                          | 06/90     | AC -      |
|          | B   | REDESSINE SUR (REDRAWN ON) PRO/ENG | 13SEP2002 | CC YP     |
|          | C   | UPDATED                            | 28MAR2007 | TC YP     |



ECHELLE 4:1  
SCALE



ECHELLE 4:1  
SCALE



REPÈRE VOIE N°1  
(IDENTIFIER POSITION NUMBER 1)

- 1 CES CONNECTEURS SONT PREVUS POUR ETRE ACCOUPLES AVEC LES EMBASES 'HE1302' DOUBLE RANGEE
- 2 LES REFERENCES SUIVIES D'UN ' \* ' SONT LES VERSIONS NORMALISEES SELON LA 'CEI 603-8'
- 3 REVETEMENT DES CONTACTS: 0.38µm D'OR DANS LA ZONE DE CONTACT, ETAIN SUR LA SORTIE C.A.D., SOUS-COUCHE NICKEL
- 4 "X.X" EST REMPLACÉ PAR LES DEUX DEUXIEME CHIFFRES DU COUPLE DES JAUGES AWG
- 5 MATIERES - BOITIER: PBT UL94V0  
- CONTACTS: BRONZE PHOSPHOREUX.

- (THESE CONNECTEURS SONT CONÇUS POUR ETRE MATEES AVEC LES EMBASES 'HE1302' HEADERS DOUBLE ROW)
- (THE PART-N° FOLLOWED BY ' \* ' ARE COVERED BY THE INTERNATIONAL STANDARD 'IEC603-8')
- (CONTACTS PLATING: 0.38µm GOLD ON CONTACT AREA, TIN ON I.D. BARREL, NICKEL UNDERPLATING)
- ("X.X" REPLACED BY THE TWO SECOND DIGIT OF AWG RANGE AS DEFINED IN TABLE)
- (MATERIALS - HOUSING : PBT UL94V0  
- CONTACTS: PHOSPHOR BRONZE)

|            |       |            |                      |
|------------|-------|------------|----------------------|
| 46.52      | 43.18 | 2x 18      | 1- 281790-8 *        |
| 38.90      | 35.56 | 2x 15      | 1- 281790-5 *        |
| 31.28      | 27.94 | 2x 12      | 1- 281790-2 *        |
| 26.20      | 22.86 | 2x 10      | 1- 281790-0 *        |
| 21.12      | 17.78 | 2x 8       | 0- 281790-8 *        |
| 16.04      | 12.70 | 2x 6       | 0- 281790-6 *        |
| 13.50      | 10.16 | 2x 5       | 0- 281790-5 *        |
| 10.96      | 7.62  | 2x 4       | 0- 281790-4 *        |
| 8.42       | 5.08  | 2x 3       | 0- 281790-3 *        |
| 5.88       | 2.54  | 2x 2       | 0- 281790-2 *        |
| "C"        | "A,B" | Nb DE POS. | REFERENCES (PART N°) |
| DIMENSIONS |       |            |                      |

|  |   |   |  |
|--|---|---|--|
| THIS DRAWING IS A CONTROLLED DOCUMENT FOR TYCO ELECTRONICS CORPORATION IT IS SUBJECT TO CHANGE AND THE CONTROLLING ENGINEERING ORGANIZATION SHOULD BE CONTACTED FOR THE LATEST REVISION.<br>CE PLAN EST UN DOCUMENT CONTROLÉ PAR AMP INCORPORATED. IL EST SUSCEPTIBLE D'ÊTRE REVISÉ, CONTACTER LE SERVICE TECHNIQUE D'AMP DE FRANCE POUR OBTENIR LA DERNIÈRE RÉVISION. |   | DWN/DESSINE<br>C. COMBEDOUZON<br>29NOV2000<br>CHK/VERIFIE<br>T. CORRIOU<br>29NOV2000<br>APVD/APPROUVE<br>Y. PETRONIN<br>29NOV2000 | AMP DE FRANCE<br>95301 PONTOISE              |
| DIMENSIONS:<br>mm  | TOLERANCES UNLESS OTHERWISE SPECIFIED:<br>(SUIV NB DE DECIMALES)<br>0 PLC/DEC: ±<br>1 PLC/DEC: ±0.3<br>2 PLC/DEC: ±<br>3 PLC/DEC: ±<br>4 PLC/DEC: ±<br>ANGLES ±5° | PRODUCT SPEC<br>SPEC, PRODUCT<br>108-15053<br>APPLICATION SPEC<br>SPEC, APPLICATION<br>114-15031                                  | NAME<br>HE 1302 PLUG,<br>180° IDC DOUBLE ROW |
| MATERIAL/MATIERE   | FINISH/FINITION   | WEIGHT<br>MASSE APPROX. -   | SIZE<br>FORMAT A2                            |
| CUSTOMER DRAWING /PLAN CLIENT  |   | UNIQUEMENT POUR REFERENCE   | SCALE<br>ECHELLE 5:1                         |
|  |   | SHEET FEUILLE   | OF DE  |
|  |   | REV C   |  |

# Mouser Electronics

Authorized Distributor

Click to View Pricing, Inventory, Delivery & Lifecycle Information:

[TE Connectivity:](#)

[281790-4](#)