

THIS DRAWING IS UNPUBLISHED.
DIFFUSION RESTREINTE

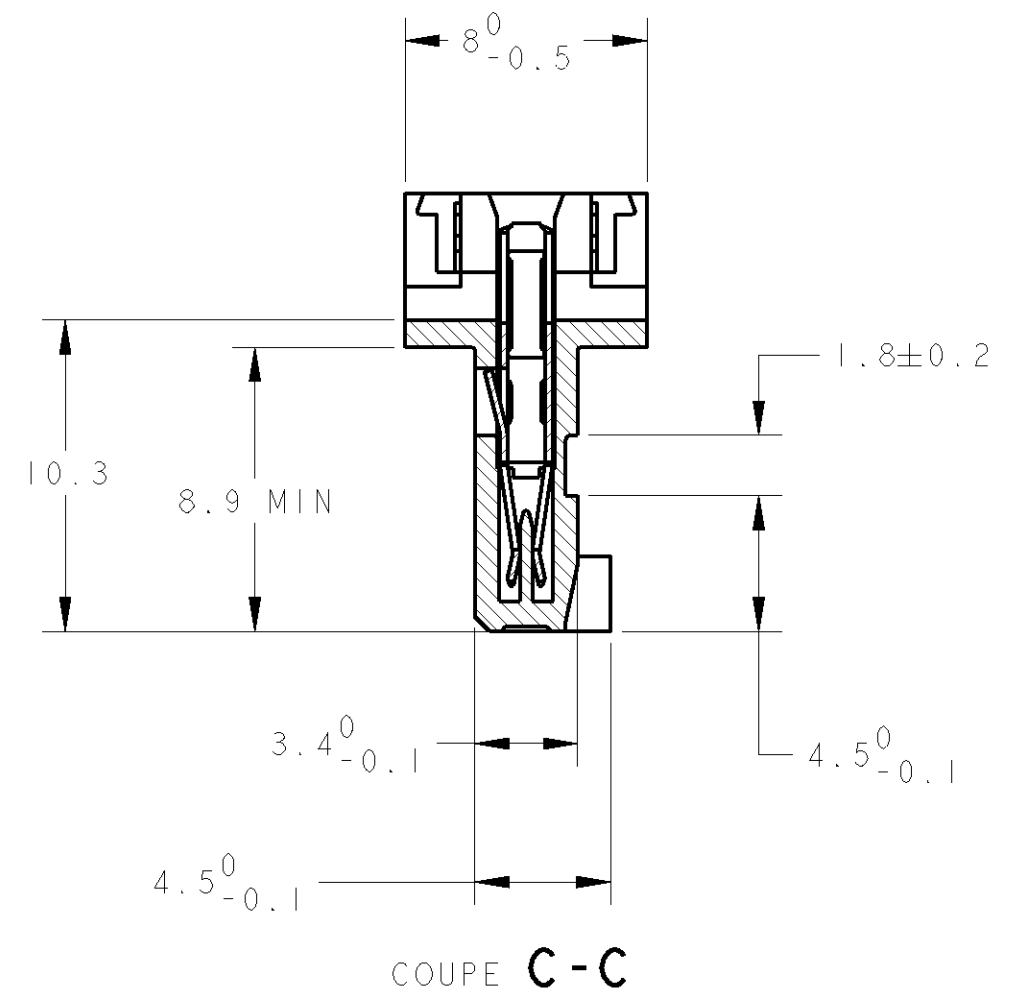
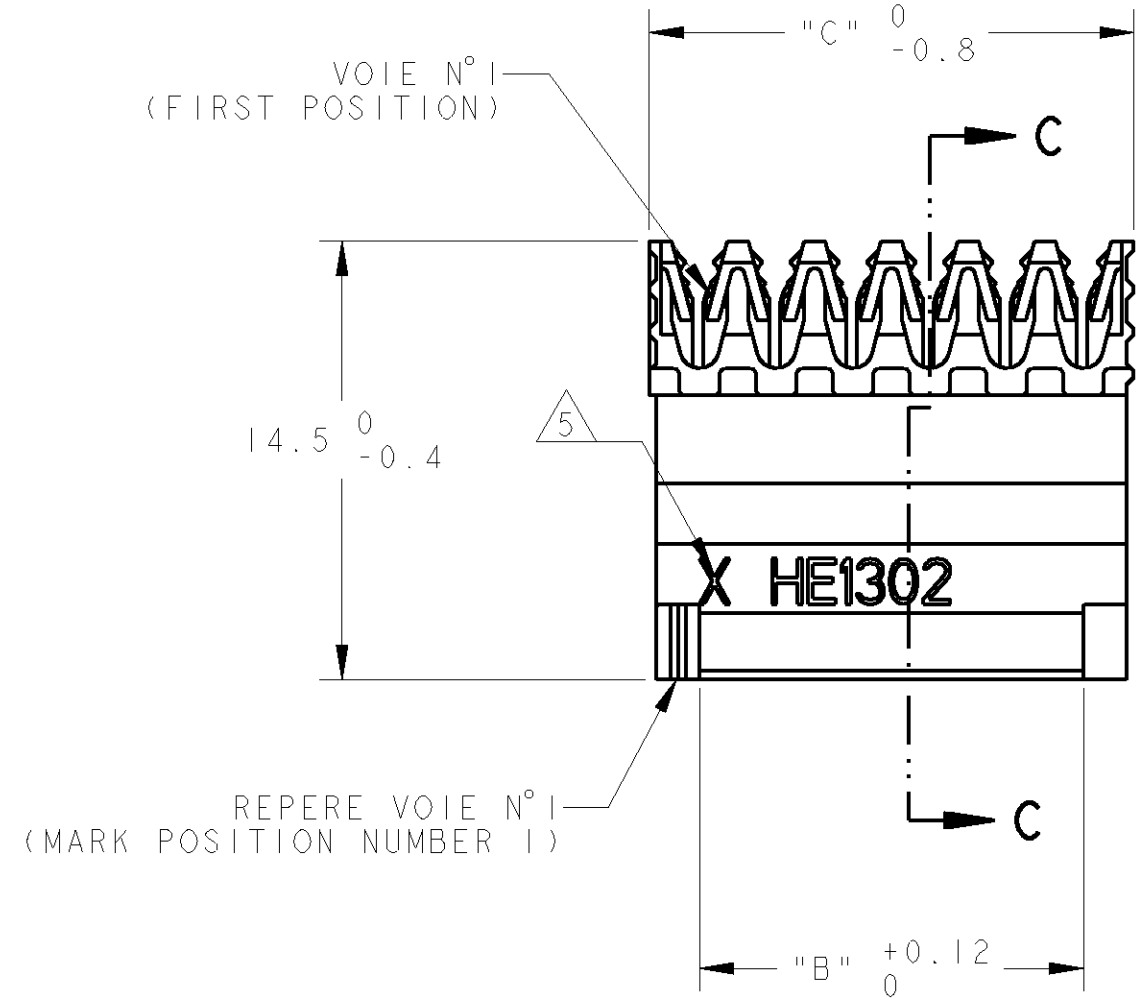
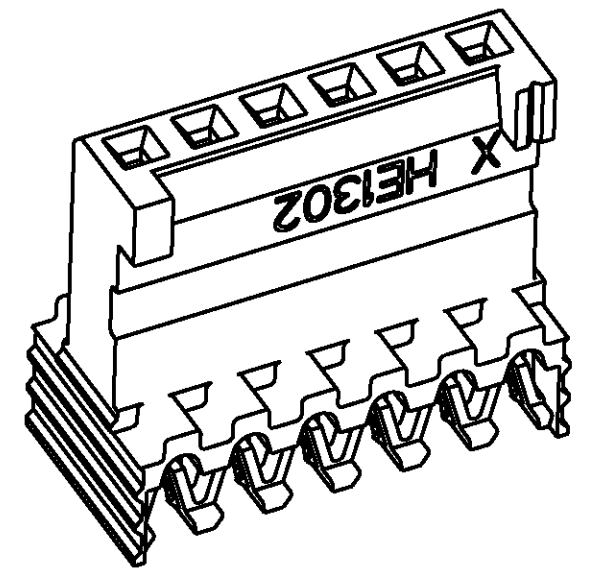
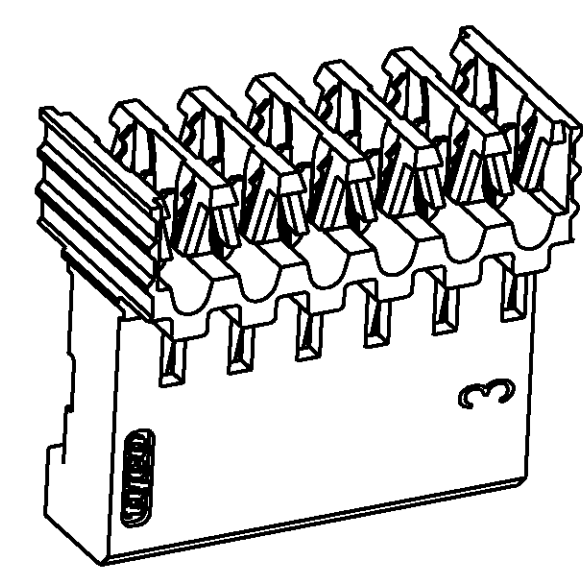
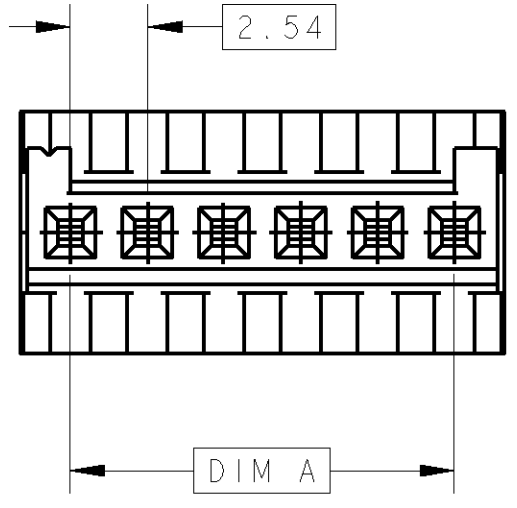
RELEASED FOR PUBLICATION
LIBRE A LA DIFFUSION

ALL RIGHTS RESERVED
TOUS DROITS RESERVES

© COPYRIGHT

| | |
|-----------------------------------------------------|---------------------------|
| FILS ADMISSIBLES (ACCEPTABLES WIRES) | |
| JAUGE (AWG) SECTION / 7 BRINS (7 STRANDS) | 24 0.22mm ² |
| ISOLANT: Ø MAX / MATIERE (INSUL.: Ø MAX / MAT'L) | Ø 1.2 / PVC |

| LOC | DIST | REVISIONS | | | | | |
|-----|------|-----------|-----|------------------------------|---------|--------------|--------------|
| F | 7 | P | LTR | DESCRIPTION MODIFICATIONS | DATE | DWN DESS. | APVD APP. |
| | | E1 | | REVISED PER ECO-11-005150 | 19APR11 | RK | HMR |



| | | | | | | | | | |
|---------------------|---------------|------------------|------------------|---------------|--------------|----------------------|--------------|---------------------|--------------|
| OBSOLETE | 9 | 64.36 | 66.96 | 25 | 2 | 201709-5 | 2 | 144273-5 | 5 |
| OBSOLETE | 9 | 61.76 | 58.42 | 24 | 2 | 201709-4 | 2 | 144273-4 | 4 |
| OBSOLETE | 10 | 59.22 | 55.06 | 23 | 2 | 201709-3 | 2 | 144273-3 | 3 |
| OBSOLETE | 10 | 56.68 | 53.34 | 22 | 2 | 201709-2 | 2 | 144273-2 | 2 |
| OBSOLETE | 10 | 54.14 | 50.66 | 21 | 2 | 201709-1 | 2 | 144273-1 | 1 |
| OBSOLETE | 11 | 51.60 | 48.26 | 20 | 2 | 201709-0 | 2 | 144273-0 | 0 |
| OBSOLETE | 12 | 49.06 | 45.72 | 19 | 1 | 201709-9 | 1 | 144273-9 | 9 |
| | 12 | 46.52 | 43.18 | 18 | 1 | 1-281709-8 | * | 1-144273-8 | * |
| OBSOLETE | 13 | 43.98 | 40.64 | 17 | 1 | 201709-7 | 1 | 144273-7 | 7 |
| OBSOLETE | 14 | 41.44 | 38.10 | 16 | 1 | 201709-6 | 1 | 144273-6 | 6 |
| | 15 | 38.90 | 35.56 | 15 | 1 | 1-281709-5 | * | 1-144273-5 | * |
| OBSOLETE | 16 | 36.36 | 33.02 | 14 | 1 | 201709-4 | 1 | 144273-4 | 4 |
| OBSOLETE | 17 | 33.82 | 30.48 | 13 | 1 | 201709-3 | 1 | 144273-3 | 3 |
| | 18 | 31.28 | 27.94 | 12 | 1 | 1-281709-2 | * | 1-144273-2 | * |
| OBSOLETE | 20 | 28.74 | 25.40 | 11 | 1 | 201709-1 | 1 | 144273-1 | 1 |
| | 20 | 26.20 | 22.86 | 10 | 1 | 1-281709-0 | * | 1-144273-0 | * |
| OBSOLETE | 25 | 23.66 | 20.32 | 9 | 0 | 201709-0 | 0 | 144273-0 | 0 |
| | 25 | 21.12 | 17.78 | 8 | 0 | 0-281709-8 | * | 0-144273-8 | * |
| | 30 | 18.58 | 15.24 | 7 | 0 | 0-281709-7 | | 0-144273-7 | |
| | 35 | 16.04 | 12.70 | 6 | 0 | 0-281709-6 | * | 0-144273-6 | * |
| | 40 | 13.50 | 10.16 | 5 | 0 | 0-281709-5 | * | 0-144273-5 | * |
| | 50 | 10.96 | 7.62 | 4 | 0 | 0-281709-4 | * | 0-144273-4 | * |
| | 70 | 8.42 | 5.08 | 3 | 0 | 0-281709-3 | * | 0-144273-3 | * |
| | 100 | 5.88 | 2.54 | 2 | 0 | 0-281709-2 | | 0-144273-2 | |
| QUANT / TUBE | | C | A, B | | | Nb DE POS | | 4 | VRAC (L.P.) |
| | | DIMENSIONS | | | | REFERENCES (PART No) | | | |

- 1 CES CONNECTEURS SONT PREVUS POUR ETRE ACCOUPLES AVEC LES EMBASES 'HE1302' SIMPLE RANGEE
- 2 LES REFERENCES SUIVIES D'UN ' * ' SONT LES VERSIONS NORMALISEES SELON LA 'CEI 603-8'
- 3 REVETEMENT DES CONTACTS: 0.4µm OR DANS LA ZONE DE CONTACT, ETAIN SUR SORTIE CAD, SOUS-COUCHE NICKEL
- 4 CONNECTEURS CONDITIONNES SOUS TUBE PVC
- 5 ' X ' EST REMPLACE PAR LE DEUXIEME CHIFFRE DES JAUGES AWG
- 6 MATERIAUX - BOITIER: PBT UL 94V0 - CONTACTS: BRONZE PHOSPHOREUX

- (THESE CONNECTEURS ARE DESIGNED TO BE MATED WITH 'HE1302' HEADERS SINGLE ROW)
- (THE PART-No FOLLOWED BY ' * ' ARE COVERED BY THE INTERNATIONAL STANDARD 'IEC 603-8')
- (CONTACTS PLATING: 0.4µm GOLD ON CONTACT AREA, TIN ON I.D. BARREL AREA NICKEL UNDER-PLATING)
- (THESE CONNECTEURS ARE PACKAGED IN TUBE)
- (' X ' REPLACED BY THE SECOND DIGIT OF AWG AS DEFINED IN TABLE)
- (MATERIALS - CASE: PBT UL 94V0 - CONTACTS: PHOSPHOR BRONZE)

| | | | |
|------------------------------------------|--|--------------------------------------|--|
| DWN/DESSINE: 1/NOV2000 C. COMBEDOUZON | | TE Connectivity | |
| CHK/VERIFIE: 1/NOV2000 T. CORRIOU | | HE1302 PLUG, 90deg IDC SINGLE ROW | |
| APVD/APPROUVE: 1/NOV2000 Y. PETRONIN | | NAME TITRE | |
| PRODUCT SPEC: 108-15053 | | SIZE FORMAT: A2 | |
| APPLICATION SPEC: 114-15030 | | CAGE CODE: 00779 | |
| WEIGHT MASSE APPROX.: | | DRAWING NO No PLAN: C-281709 | |
| FINISH/FINITION: | | UNIFORMEMENT POUR REFERENCE: 4 | |
| MATERIAL/MATIERE: | | SCALE ECHELLE: 4 | |
| CUSTOMER DRAWING /PLAN CLIENT | | SHEET FEUILLE: OF DE | |
| | | REV E1 | |

Mouser Electronics

Authorized Distributor

Click to View Pricing, Inventory, Delivery & Lifecycle Information:

[TE Connectivity:](#)

[281709-5](#)