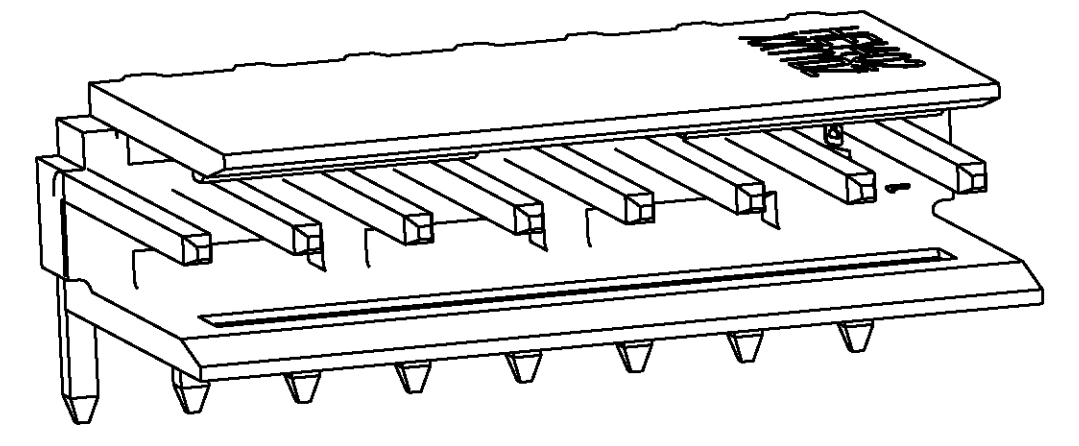
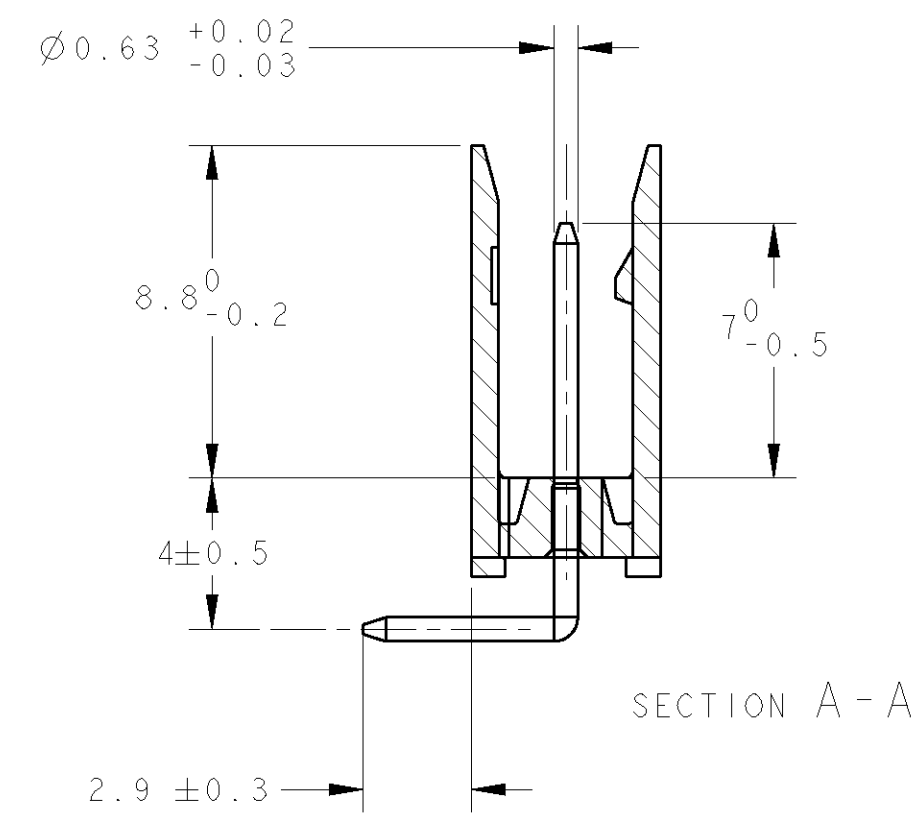
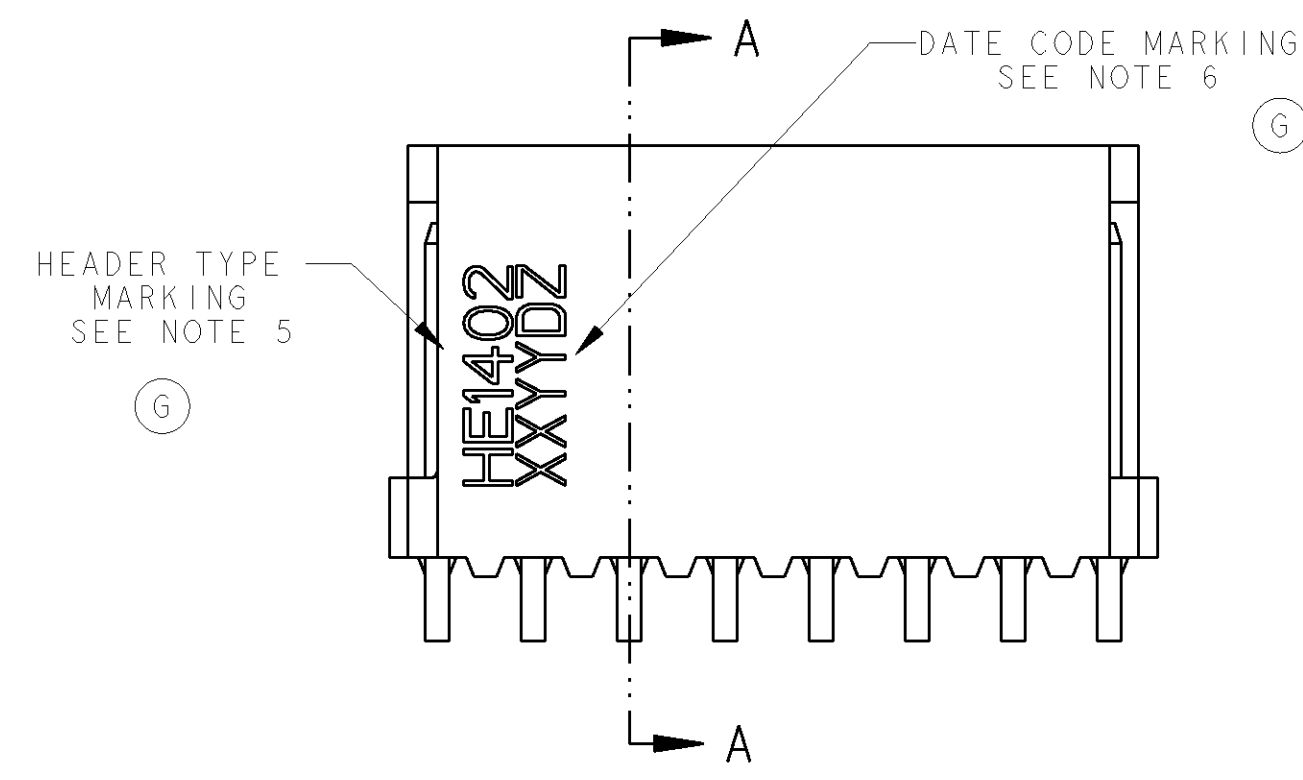


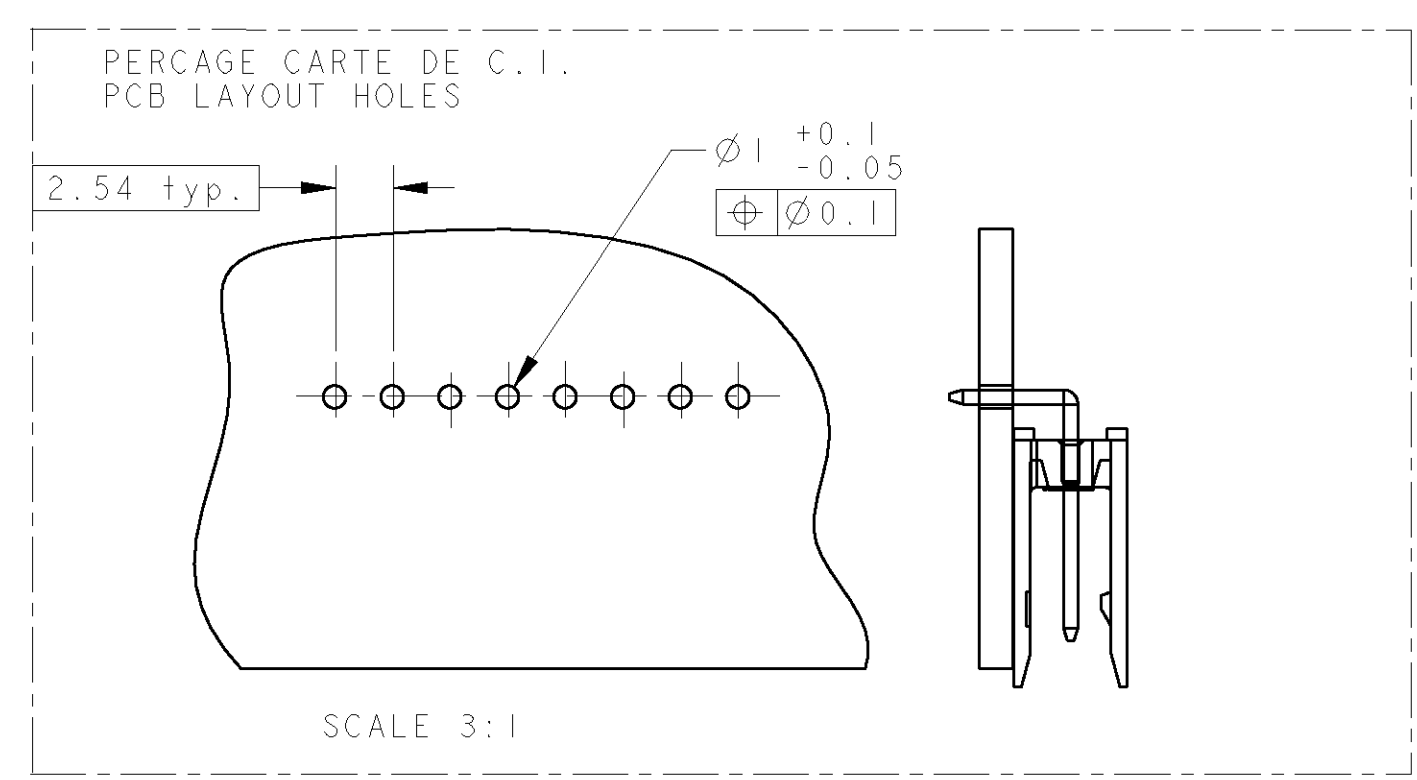
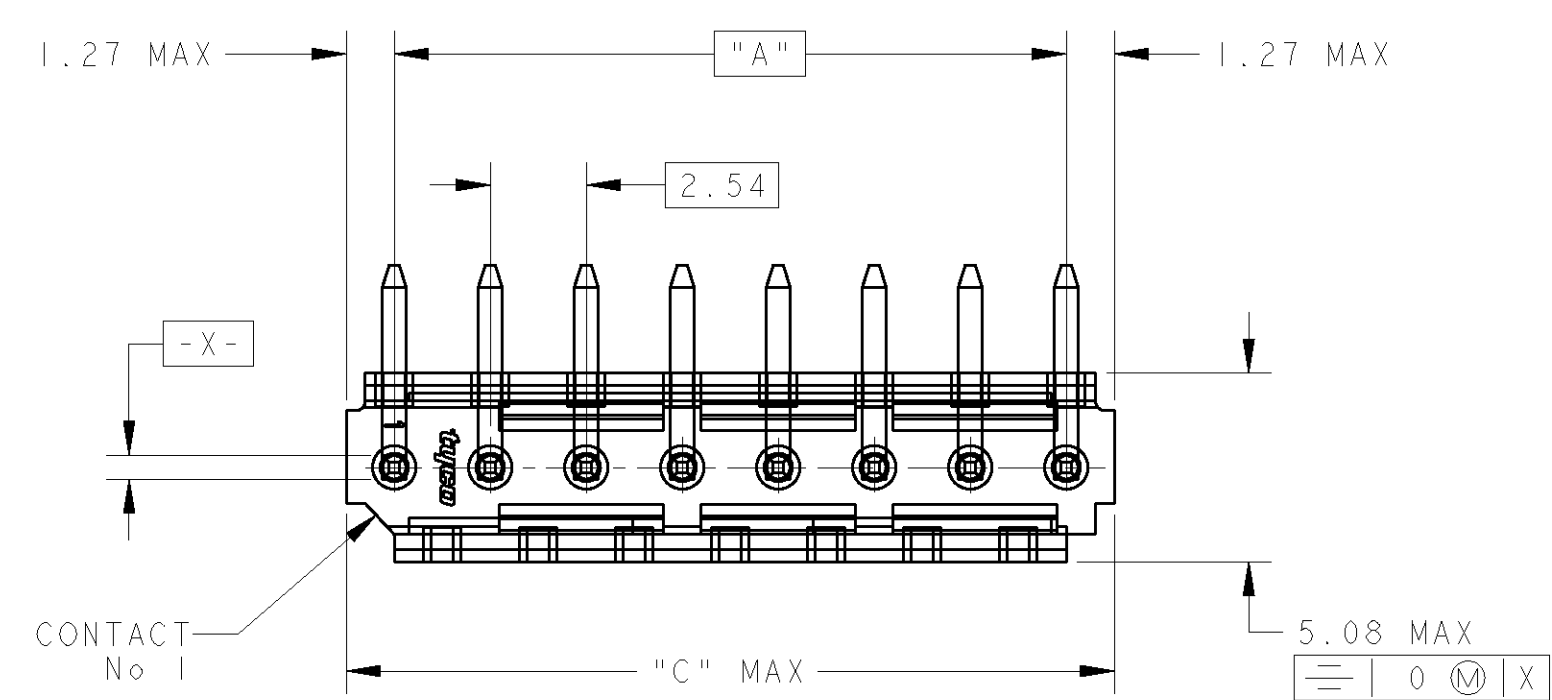
THIS DRAWING IS UNPUBLISHED.  
 DIFFUSION RESTREINTE  
 © COPYRIGHT

RELEASED FOR PUBLICATION  
 LIBRE A LA DIFFUSION  
 ALL RIGHTS RESERVED.  
 TOUS DROITS RESERVES

LOC	DIST	REVISIONS			
P	LTR	DESCRIPTION MODIFICATIONS	DATE	DWN DESS.	APVD APP.
F	7	G1 REVISED PER ECO-11-005150	19APR11	RK	HMR



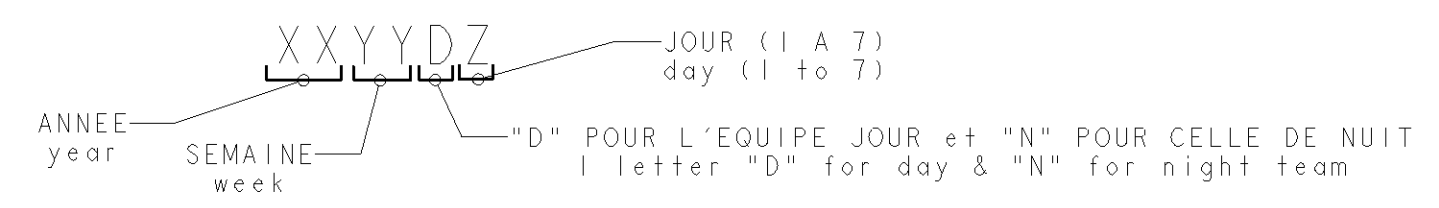
SCALE 6:1



SCALE 3:1

45.72	43.18	18	1-281698-8	*
43.18	40.64	17	1-281698-7	
38.10	35.56	15	1-281698-5	*
30.48	27.94	12	1-281698-2	*
25.40	22.86	10	1-281698-0	*
20.32	17.78	8	0-281698-8	*
17.78	15.24	7	0-281698-7	
15.24	12.70	6	0-281698-6	*
12.70	10.16	5	0-281698-5	*
10.16	7.62	4	0-281698-4	*
7.62	5.08	3	0-281698-3	*
5.08	2.54	2	0-281698-2	
C	A	Nb DE POS	PART NUMBER	
DIMENSIONS				

- NOTES:
1. CES EMBASES SONT PREVUES POUR ETRE ACCOUPLEES AVEC LES FICHES "HE1402" SIMPLE RANGEE.  
(These headers are designed to be mated with "HE1402" connectors single row)
  2. LES REFERENCES SUIVIES D'UN \* SONT LES VERSIONS NORMALISEES SELON LA NORME CEI 603-8  
(The parts numbers followed by \* are covered by the international standard IEC 603-8)
  3. REVETEMENT DES CONTACTS: ETAIN PUR SUR NICKEL  
(Contacts plating: lead free tin over nickel)
  4. MATIERE PLASTIQUE: TERMO-PLASTIQUE HAUTE TEMPERATURE, UL-94V0, COULEUR BLEUE  
(Plastic material: High temperature thermoplastic, UL-94V0, Blue color)  
MATIERE DES CONTACTS: BRONZE PHOSPHOREUX  
(Contacts material: phosphor bronze)
  5. MARQUAGE DU TYPE D'EMBASE (HE1402) A L'ENCRE NOIRE  
(type marking (HE1402) with black ink)
  6. MARQUAGE DE LA DATE A L'ENCRE NOIRE :  
(date code marking with black ink)



DIMENSIONS:		TOLERANCES UNLESS OTHERWISE SPECIFIED: (SUIV NB DE DECIMALES)		DWN/DESSINE 22NOV2000 C. COMBEDOUZON		 TE Connectivity	
mm		0 PLC/DEC: ± 1 PLC/DEC: ±0.3 2 PLC/DEC: ±0.13 3 PLC/DEC: ±0.013 4 PLC/DEC: ±0.001		CHK/VERIFIE 22NOV2000 I. CORRIOLU			
MATERIAL/MATIERE		FINISH/FINITION		APVD/APROUVE 22NOV2000 Y. PETRONIN		SIZE FORMAT A2	
SEE NOTE 4		SEE/VOIR NOTE 3		PRODUCT SPEC SPEC. PRODUIT 108-15053		DRAWING NO No PLAN C-281698	
				APPLICATION SPEC SPEC. APPLICATION		CAGE CODE 00779	
				WEIGHT MASSE APPROX.		RESTRICTED TO RESERVE A	
				CUSTOMER DRAWING /PLAN CLIENT		UNIQUEMENT POUR REFERENCE	
				SCALE ECHELLE 4		SHEET FEUILLE	
						OF DE	
						REV G1	

# Mouser Electronics

Authorized Distributor

Click to View Pricing, Inventory, Delivery & Lifecycle Information:

[TE Connectivity:](#)

[281698-2](#)