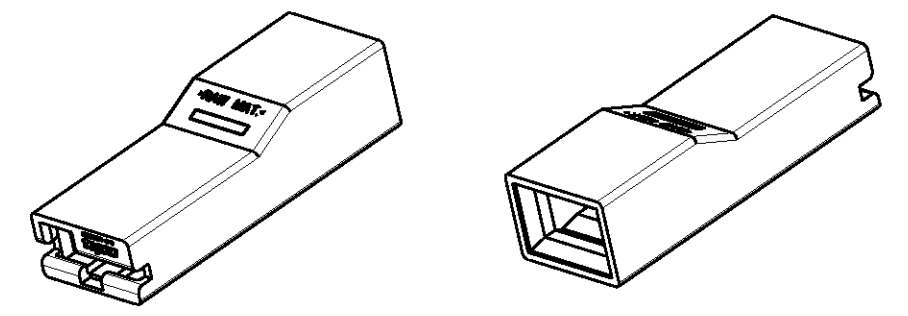
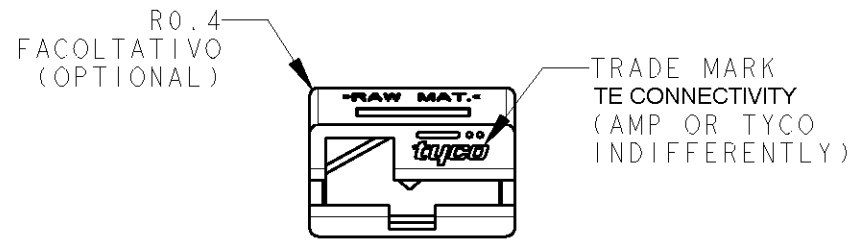
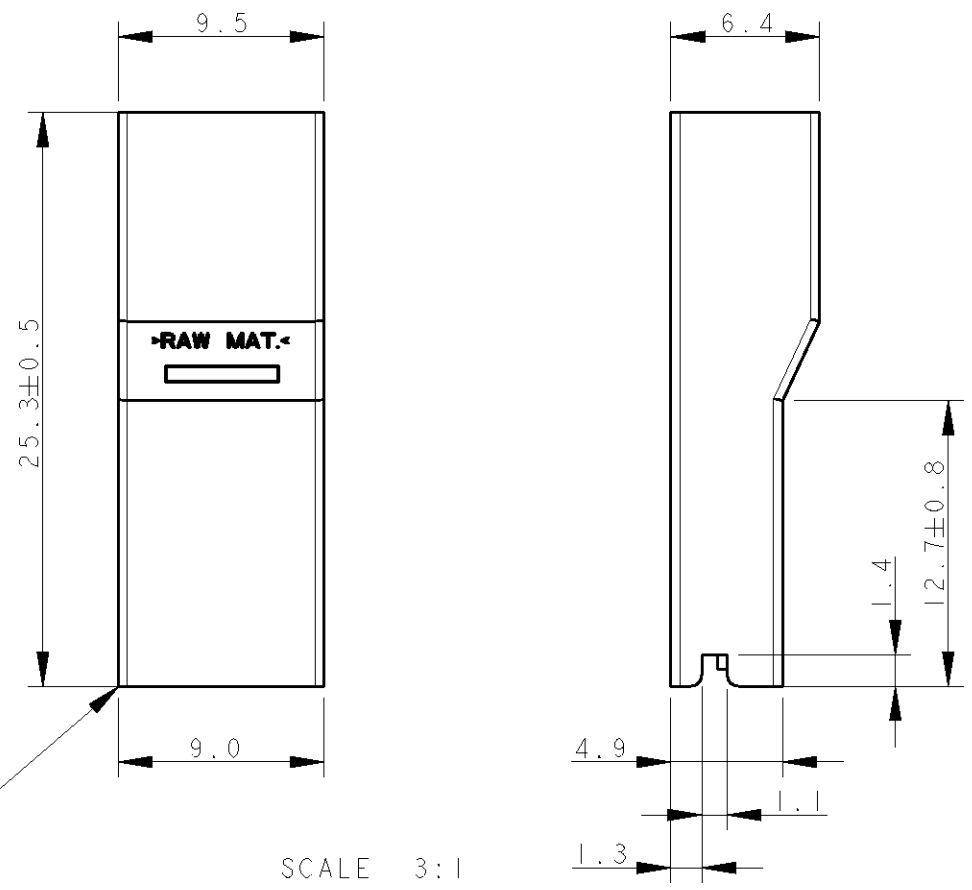


THIS DRAWING IS UNPUBLISHED. RELEASED FOR PUBLICATION
 © COPYRIGHT ALL RIGHTS RESERVED.

| LOC | DIST | REVISIONS | | | | | |
|-----|------|-----------|-----|---------------------------|---------|-----|------|
| | | P | LTR | DESCRIPTION | DATE | DWN | APVD |
| 1 | - | W3 | | REVIDES PER ECR-17-004272 | 29MAR17 | ST | TD |



SCALE 2:1



SCALE 3:1

- 1 BLOCCHETTO ADATTO PER TERMINALI FEMMINA PER LA SERIE 6.3 mm FASTON CON RANGO FILO DA 0.8-2.5 MM2. (SUITABLE FOR RECEPTACLE TERMINALS WITH WIRE RANGE 0.8-2.5 mm2).
- 2 BAVA ACCETTABILE: 0.3 MAX (FLASH PERMISSIBLE: 0.3 MAX.)
- 3 SPECIFICA DI PRODOTTO: 108-20035 (PRODUCT SPEC.: 108-20035)
- 4 NON ANCORA RILASCIATO IN PRODUZIONE (NOT YET RELEASED FOR PRODUCTION)

| NOTE | COLORE (COLOUR) | MATERIALE (MATERIAL) | PART NUMBER | REV |
|-------|--------------------|---|-------------|-----|
| 1,2,3 | NATURALE (NATURAL) | PA 6 UNFILLED, UL 94-V2 IEC 60335-1, GW 750°C NO FLAME | 280232-8 | W |
| 1,2,3 | NATURALE (NATURAL) | PA 6.6 UL 94-V0 (PA 6.6 UL 94-V0 UNFILLED) | 280232-6 | U |
| 1,2,3 | NERO (BLACK) | PA 6.6 (PA 6.6 UNFILLED) | 280232-5 | U |
| 1,2,3 | ROSSO (RED) | | 280232-1 | U |
| 1,2,3 | NATURALE (NATURAL) | | 280232 | U |

| | | | | | | | | | | |
|-----------------------|--|---|--|--|--|--|--|--------------|--|--------|
| DIMENSIONS: mm | | TOLERANCES UNLESS OTHERWISE SPECIFIED: 0 PLC ± 1 PLC ±0.3 2 PLC ± 3 PLC ± 4 PLC ± ANGLES ±° FINISH - | | DWN H. YAALI 29OCT2004 CHK - G. TURCO APVD - PRODUCT SPEC SEE NOTE 3 APPLICATION SPEC - WEIGHT - | | TE Connectivity NAME POST INSULATION FOR FASTON 6.3 mm series RECEPTACLE CONTACT | | | SIZE A3 CAGE CODE 00779 DRAWING NO C=280232 RESTRICTED TO - | |
| MATERIAL SEE TABLE | | | | CUSTOMER DRAWING | | SCALE 3:1 | | SHEET 1 OF 1 | | REV W3 |

Mouser Electronics

Authorized Distributor

Click to View Pricing, Inventory, Delivery & Lifecycle Information:

[TE Connectivity:](#)

[280232](#)