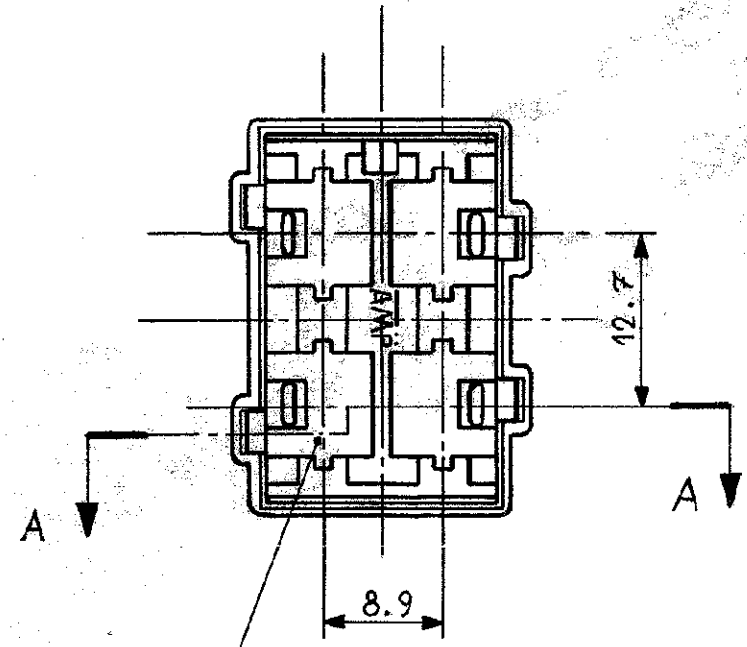
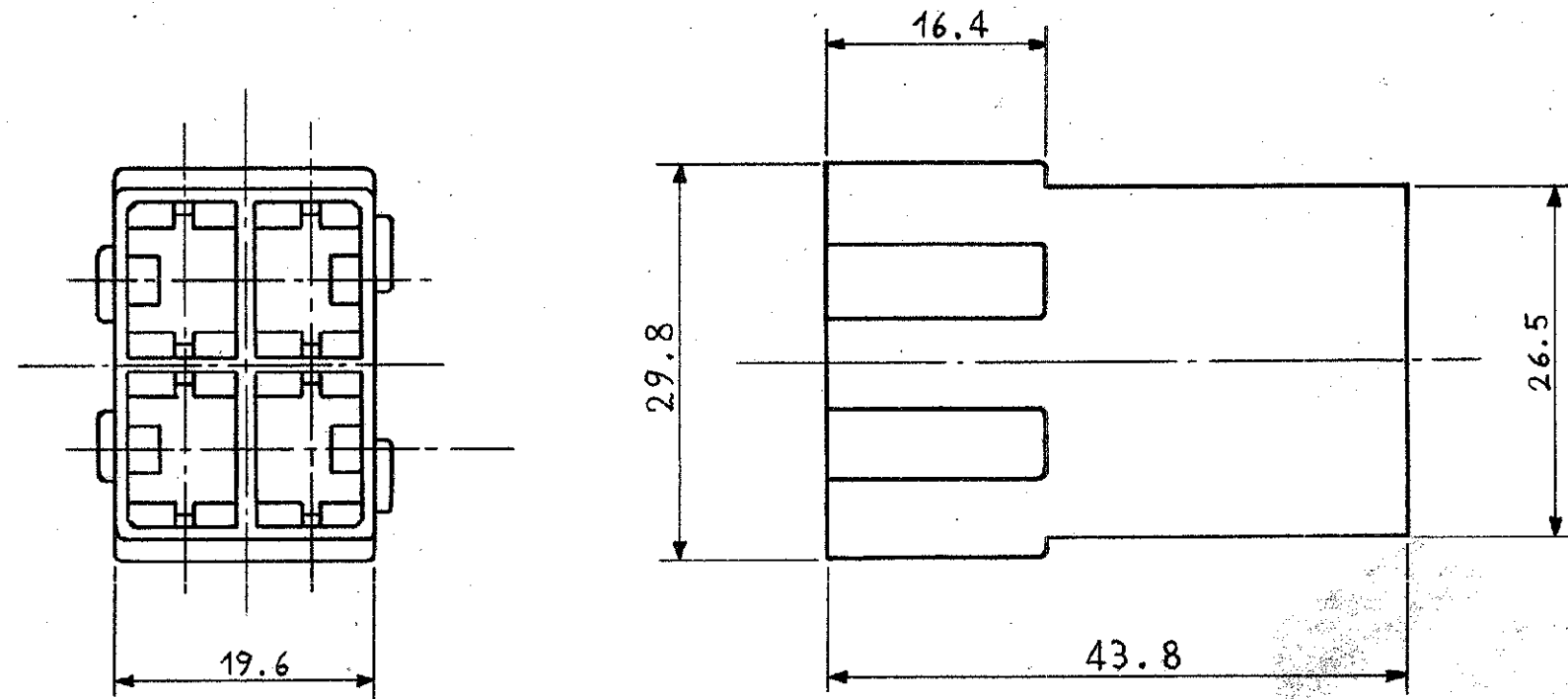
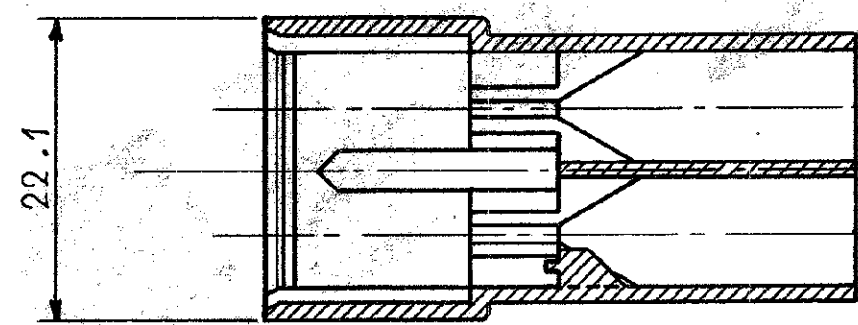


SCALA NON IMPEGNATIVA  
(DO NOT SCALE)  
DIMENSIONI IN mm  
DIMENSIONS IN mm



4 TIPICHE LAVITA' PER  
CONTATTI AMP FASTIN-FASTON  
SERIE .375"  
  
(TYPICAL CAVITIES SUITABLE  
FOR FASTIN-FASTON TAB  
TERM. .375" Sr.)



SEZ. A-A

OBSOLETE	—	—	280072-1
----------	---	---	----------

NATUR (CLEAR)	POLIAMMIDE 6.6 NAT. (PA 6.6 UNFILLED)	280072-0
FINITURA / COLORE (FINISH / COLOUR)	MATERIALE (MATERIAL)	NUMERO (PART NUMBER)

**CUSTOMER DWG.** FOR REFERENCE ONLY  
**DISEGNO PER CLIENTE** SOLO PER RIFERIMENTO

THIS DRAWING IS UNPUBLISHED RELEASE FOR PUBLICATION 19

TOLLERANZE: SE NON DIVERSAMENTE SPECIFICATO (TOLERANCES UNLESS OTHERWISE SPECIFIED)	DIAM. ISOLANTE (INS. DIA. RANGE)	RANGO FILO (WIRE RANGE)	SCALA (SCALE)
± 0,4	—	—	—



DIS. (DR.)	DESCRIZIONE (DESCRIPTION)
∠. TARTARI 27-4-71	4 WAY FASTIN-ON TAB .375 SERIES - HOUSING -

F2	REVISED PER ECR-17-013054	BDA	11JAN2018
F1	REVISED PER ECO-11-005294	RK	13APR 11
REV. (REV. NR.)	REVISIONI (REVISION RECORD)	DIS. (DR.)	DATA (DATE)

CONT. (CHK)	LOC.	SIZE	NUMERO (DWG NO)	REV.	FOGLIO (SHEET)
F. TREVISOL 7-5-71	IA3	C-	280072	F2	1 OF 1

DISTRIBUZIONE (PRINT DIST.)

# Mouser Electronics

Authorized Distributor

Click to View Pricing, Inventory, Delivery & Lifecycle Information:

[TE Connectivity:](#)

[280072](#)