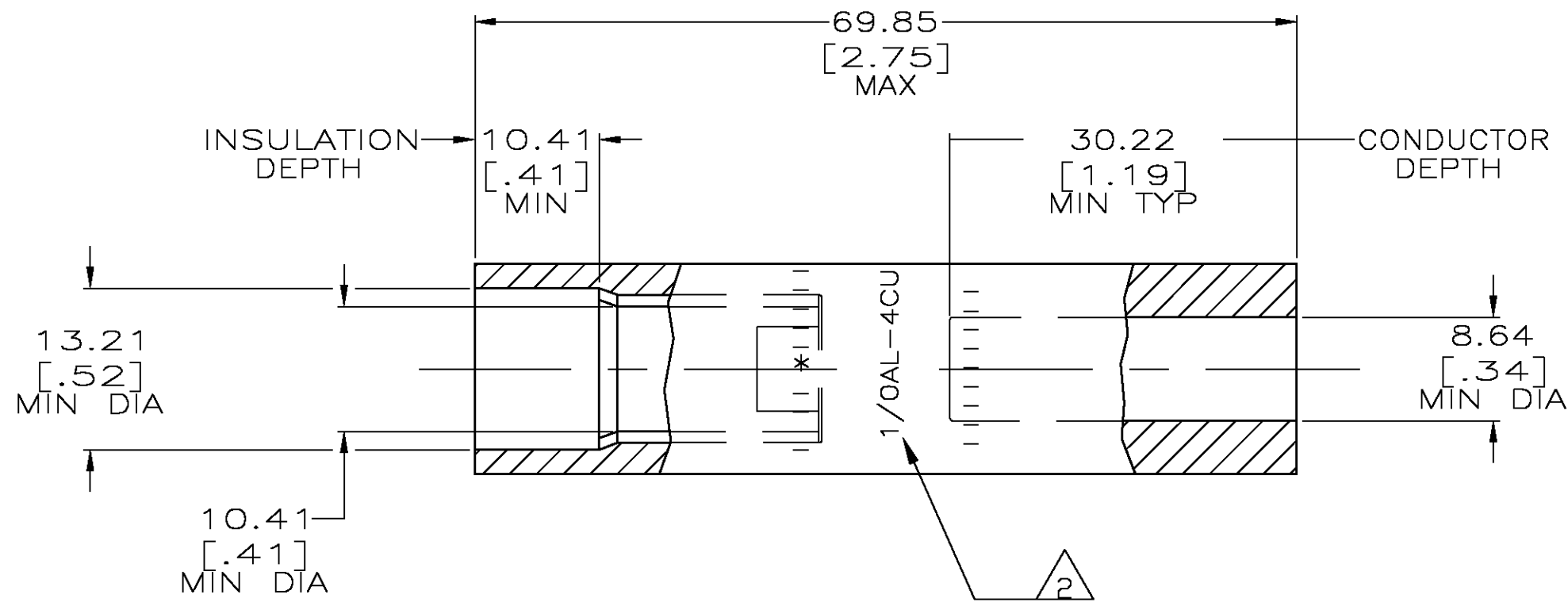


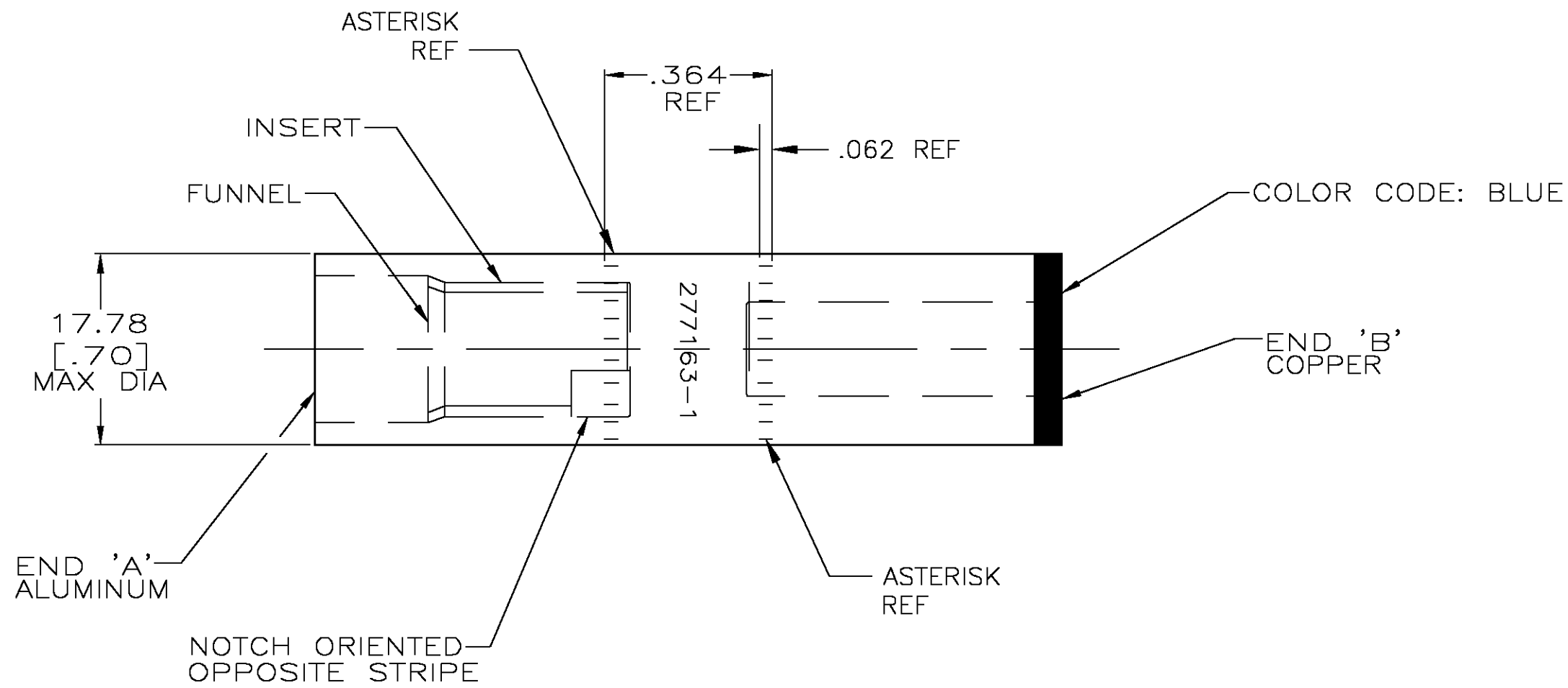
THIS DRAWING IS UNPUBLISHED. RELEASED FOR PUBLICATION  
 © COPYRIGHT BY TYCO ELECTRONICS CORPORATION. ALL RIGHTS RESERVED.

LOC	DIST	REVISIONS					
G	86	P	LTR	DESCRIPTION	DATE	DWN	APVD
		P		REV PER 0G3A-0499-04	24JUN04	JR	MS



1 WIRE INSULATION:  
 END 'A' 10.80[.425] - 11.94[.470] DIA FOR 1/0 AL  
 END 'B' 7.01[.276] - 7.75[.305] DIA FOR 4 CU

△ 2 STAMP 277163-1 AMP 1/0AL-4CU  
 APPROX AS SHOWN



INSERT & FUNNEL: BRASS MIL-C-50	277163-1
NICKEL PL QQ-N-290 0.00762[.000300] AVG THK	
SPLICE: COPPER ASTM B-187	
TIN PL ASTM B545 0.00381[.000150] MIN THK	
MATERIAL & FINISH	

THIS DRAWING IS A CONTROLLED DOCUMENT.		DWN DK SCHRUM 7/6/89	Tyco Electronics Corporation Harrisburg, Pa 17105-3608
DIMENSIONS: mm [INCHES]		CHK MS FEHER 5/1/91	
TOLERANCES UNLESS OTHERWISE SPECIFIED:		APVD MJ SPICER 5/1/91	NAME WIRE SPLICE, TRANSITIONAL, COPALUM, SEALED, WIRE SIZE: 22.0mm [4] COPPER 55.5mm <sup>2</sup> [1/0] ALUMINUM
0 PLC ± - 1 PLC ± - 2 PLC ± - 3 PLC ± - 4 PLC ± - ANGLES ± - FINISH SEE TABLE		PRODUCT SPEC 108-11011 APPLICATION SPEC 114-2134 WEIGHT 92.5 GRAMS CUSTOMER DRAWING	
MATERIAL SEE TABLE		SCALE 2:1	SIZE A2 CAGE CODE 00779 DRAWING NO C=277163 SHEET 1 OF 1 REV P

# Mouser Electronics

Authorized Distributor

Click to View Pricing, Inventory, Delivery & Lifecycle Information:

[TE Connectivity:](#)

[277163-1](#)