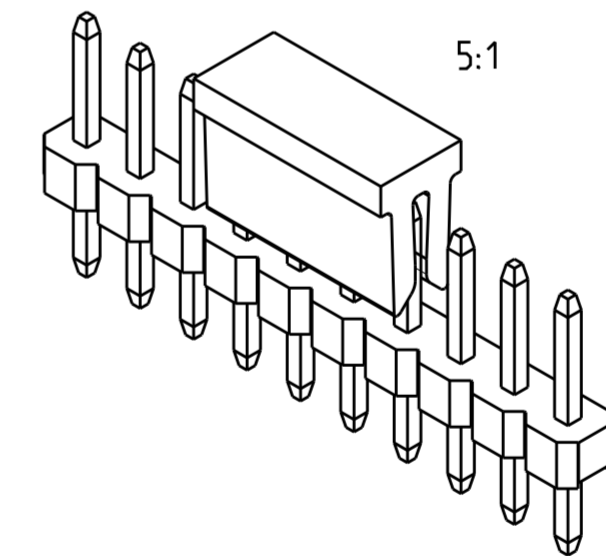
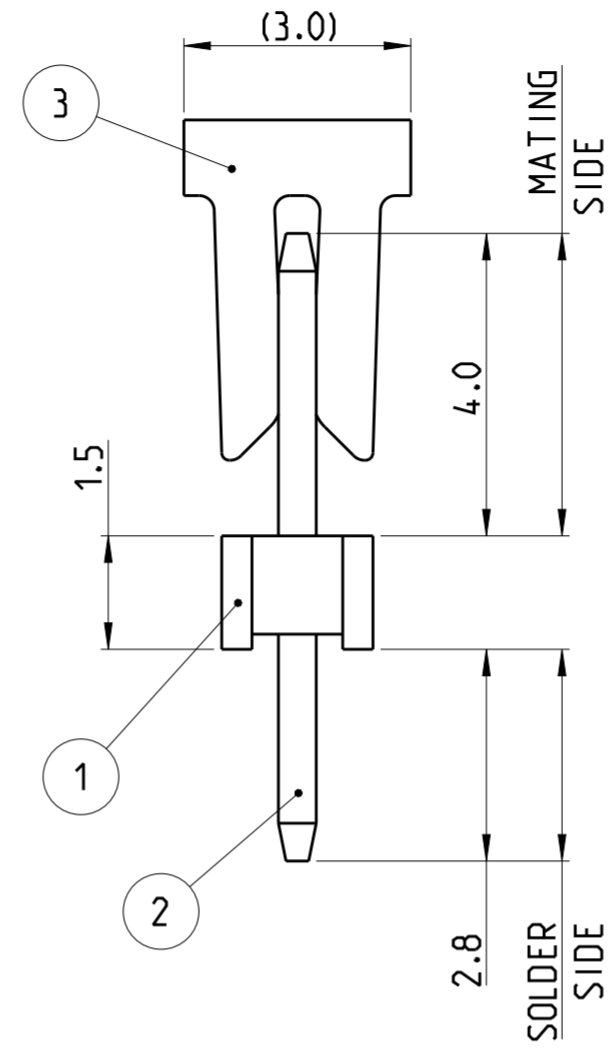
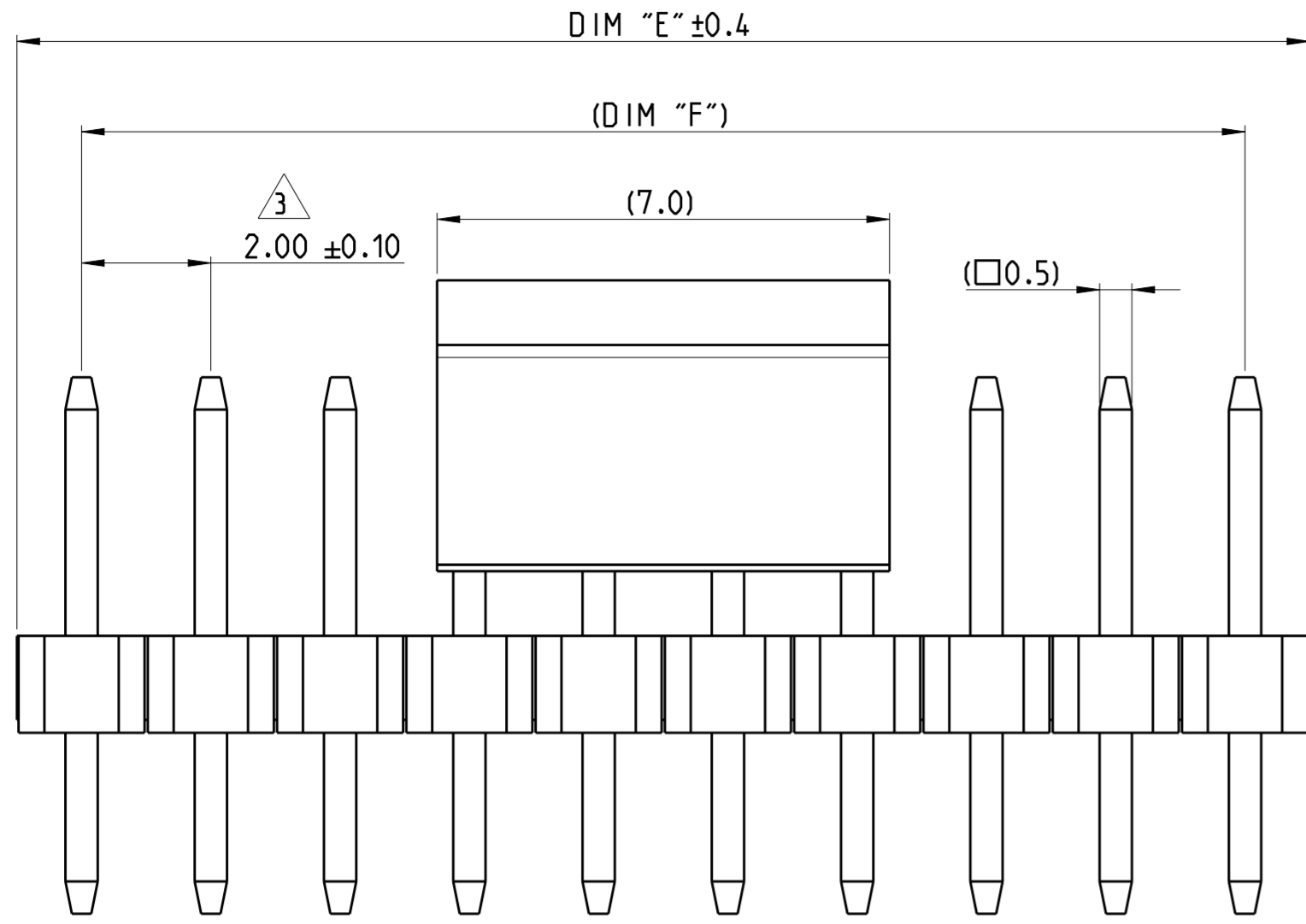


REVISIONS

P	LTR	DESCRIPTION	DATE	DWN	APVD
A		RELEASE TO PRODUCTION	26AUG2019	AY	PS
B		CHANGED P AND P CAP LENGTH FROM 6.5 TO 7.0	16DEC2019	AY	PS

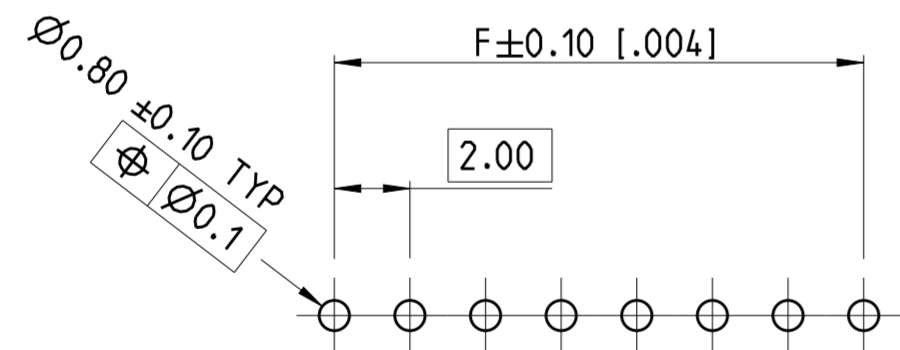
NOTES:

- MATERIAL
HOUSING & P&P CAP : HIGH TEMPERATURE THERMOPLASTIC, UL94-V0; COLOR- BLACK
CONTACT PIN : COPPER ALLOY
FINISH :
MATING SIDE: MIN. 0.38 μm GOLD OVER NICKEL UNDER PLATING.
SOLDER SIDE: MIN. 2.0 μm BRIGHT TIN OVER NICKEL UNDER PLATING.
- PACKAGING: TUBE (WITH PICK AND PLACE CAP).
- TOLERANCE NOT CUMULATIVE.
- CUTTING BURR MAX. 0.25 mm.

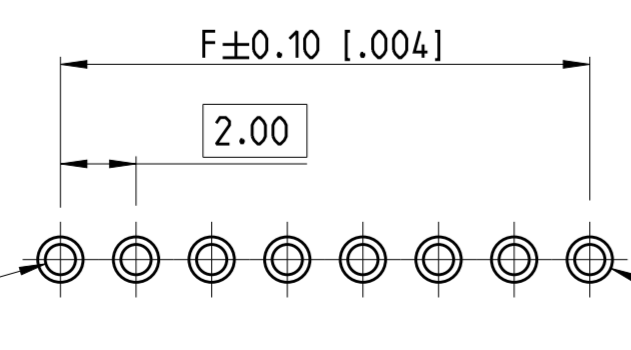


1-2355179-0 AS SHOWN

48.0	50.0	25	2-2355179-5
46.0	48.0	24	2-2355179-4
44.0	46.0	23	2-2355179-3
42.0	44.0	22	2-2355179-2
40.0	42.0	21	2-2355179-1
38.0	40.0	20	2-2355179-0
36.0	38.0	19	1-2355179-9
34.0	36.0	18	1-2355179-8
32.0	34.0	17	1-2355179-7
30.0	32.0	16	1-2355179-6
28.0	30.0	15	1-2355179-5
26.0	28.0	14	1-2355179-4
24.0	26.0	13	1-2355179-3
22.0	24.0	12	1-2355179-2
20.0	22.0	11	1-2355179-1
18.0	20.0	10	1-2355179-0
16.0	18.0	9	2355179-9
14.0	16.0	8	2355179-8
12.0	14.0	7	2355179-7
10.0	12.0	6	2355179-6
8.0	10.0	5	2355179-5
6.0	8.0	4	2355179-4
DIM "F"	DIM "E"	POS	TE PN



RECOMMENDED PCB HOLE PATTERN FOR THROUGH HOLE WAVE



RECOMMENDED PCB HOLE PATTERN FOR THROUGH HOLE REFLOW / PIN-IN-PASTE

Ø0.80 ± 0.05 TYP (FINISHED HOLE)

Ø1.20 MIN TYP (PAD)

THIS DRAWING IS A CONTROLLED DOCUMENT.

DWN 09 APR 2019
RAGHAVENDRA.K
CHK 14 AUG 2019
KARTHIK.JK
APVD 16 AUG 2019
PRASHANTH



NAME AMPMODU 2mm BREAKAWAY HEADER
SINGLE ROW, VERTICAL, 0.38 Au.
TUBE, PICK AND PLACE CAP

PICK AND PLACE CAP	3
CONTACT PIN	2
HOUSING	1
DESCRIPTION	ITEM NO.

DIMENSIONS:	TOLERANCES UNLESS OTHERWISE SPECIFIED:
mm	0 PLC ±
	1 PLC ±0.2
	2 PLC ±0.15
	3 PLC ±
	4 PLC ±
ANGLES	±2°
FINISH	SEE NOTES

PRODUCT SPEC	108-64040
APPLICATION SPEC	114-32259
WEIGHT	-
CUSTOMER DRAWING	

SIZE	CAGE CODE	DRAWING NO	RESTRICTED TO
A2	00779	C-2355179	-
SCALE	10:1	SHEET 1 OF 1	REV B

Mouser Electronics

Authorized Distributor

Click to View Pricing, Inventory, Delivery & Lifecycle Information:

[TE Connectivity:](#)

[2355179-6](#)