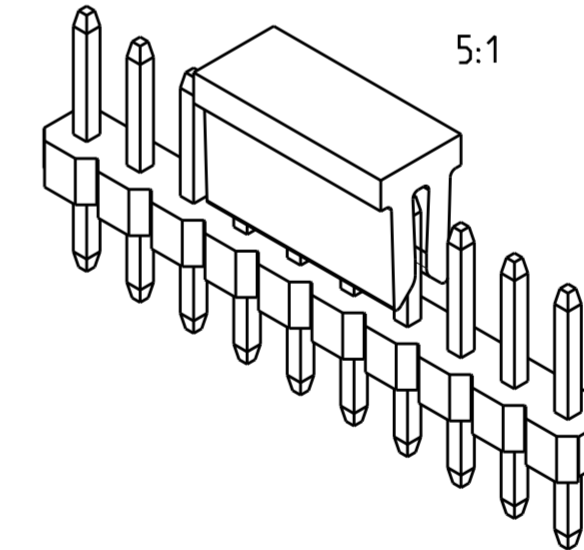
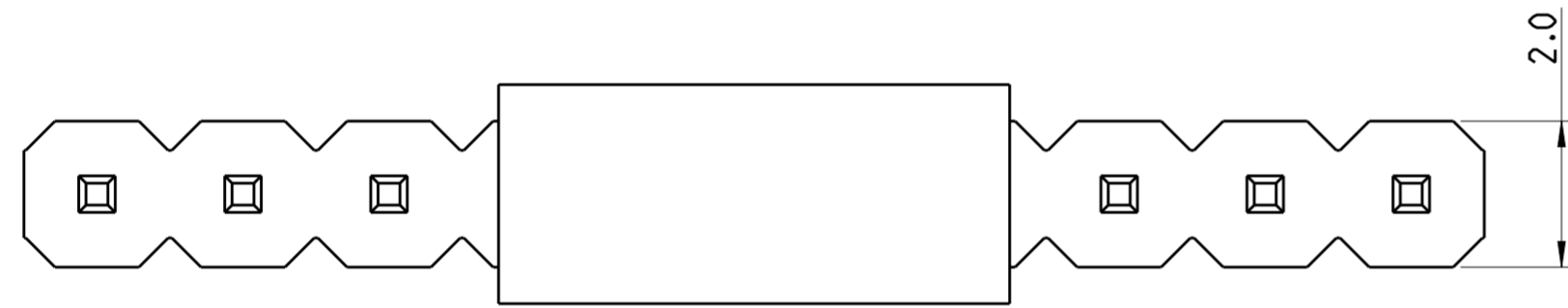
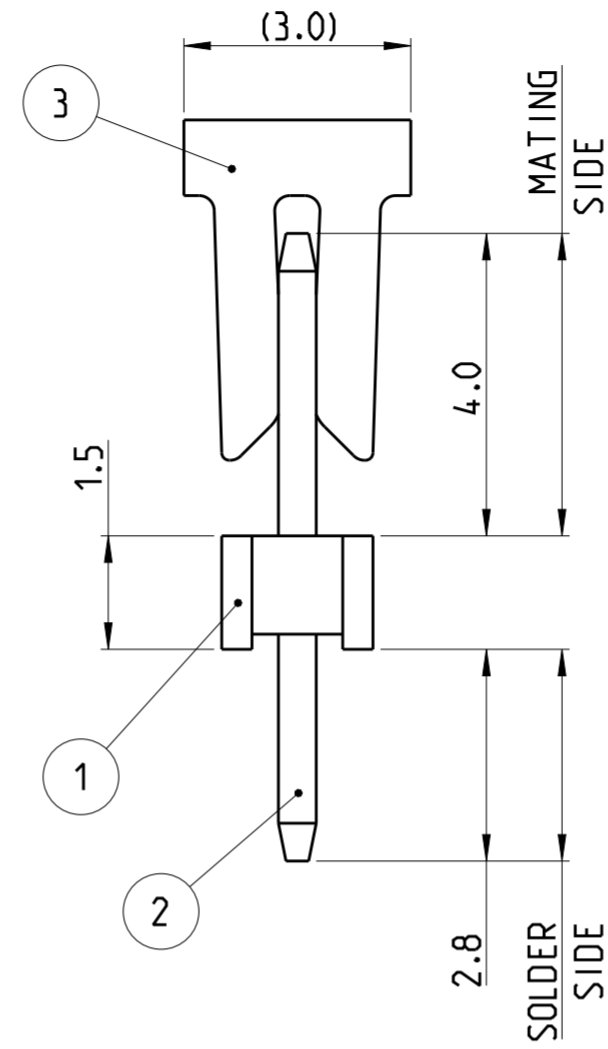
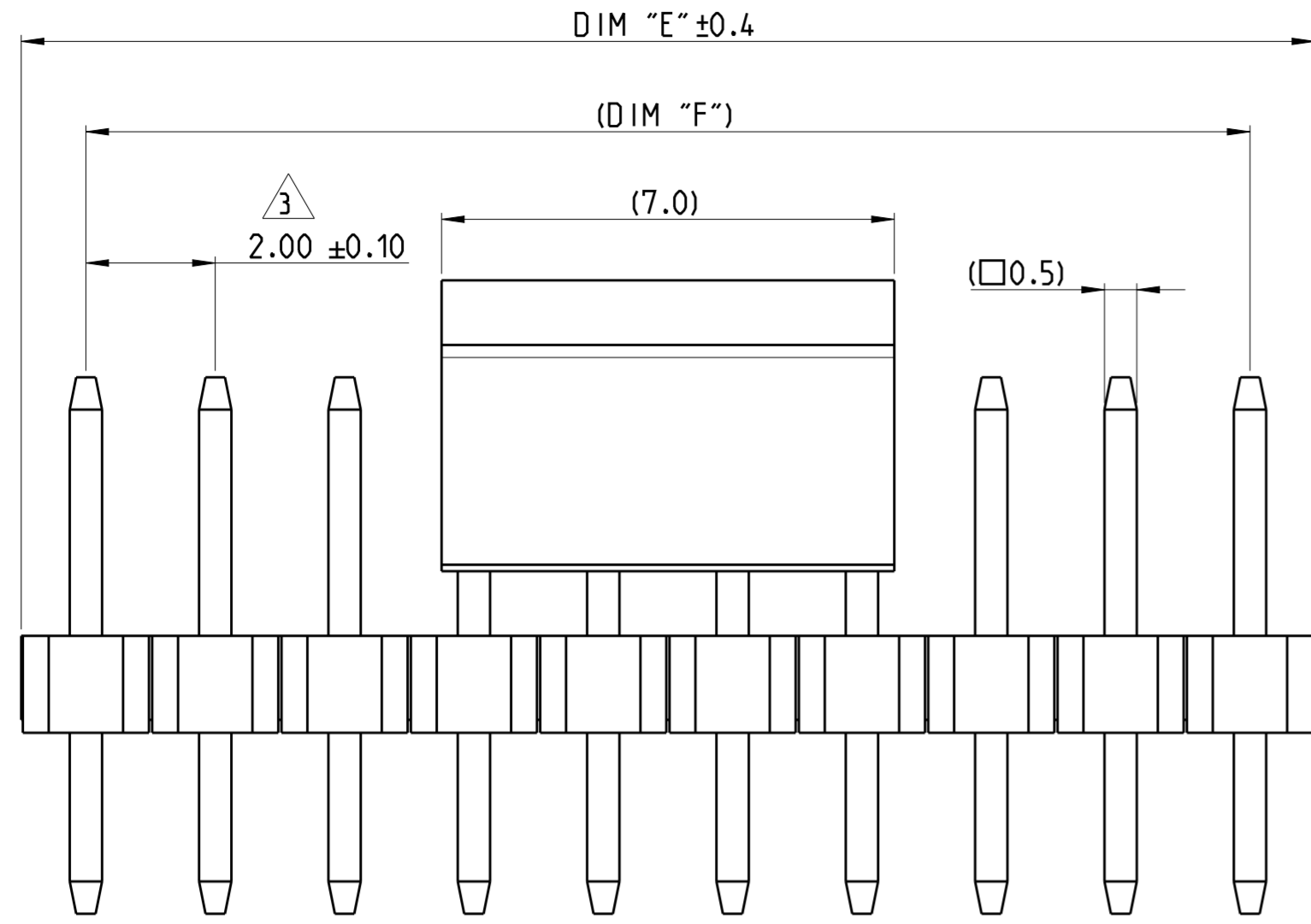


REVISIONS

P	LTR	DESCRIPTION	DATE	DWN	APVD
A		RELEASE TO PRODUCTION	26AUG2019	AY	PS
B		CHANGED P AND P CAP LENGTH FROM 6.5 TO 7.0	16DEC2019	AY	PS

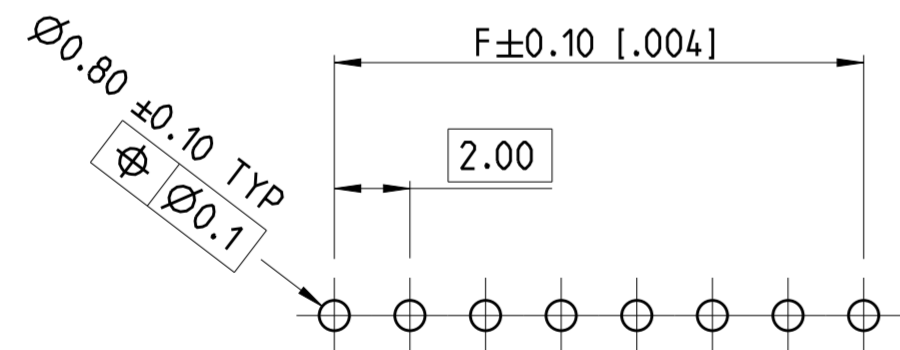
NOTES:

- MATERIAL
HOUSING & P&P CAP : HIGH TEMPERATURE THERMOPLASTIC, UL94-V0; COLOR- BLACK
CONTACT PIN : COPPER ALLOY
FINISH :
MATING SIDE: MIN. 0.38 µm GOLD OVER NICKEL UNDER PLATING.
SOLDER SIDE: MIN. 2.0 µm BRIGHT TIN OVER NICKEL UNDER PLATING.
- PACKAGING: TUBE (WITH PICK AND PLACE CAP).
- TOLERANCE NOT CUMULATIVE.
- CUTTING BURR MAX. 0.25 mm.

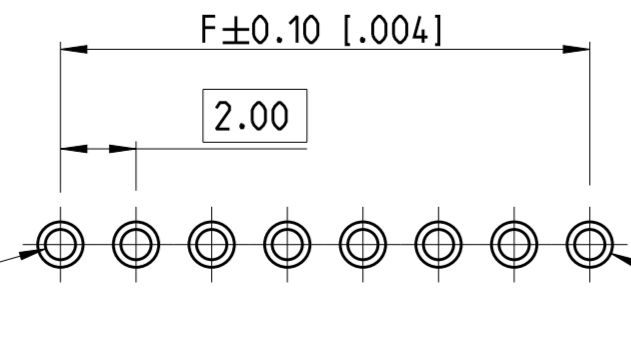


1-2355179-0 AS SHOWN

48.0	50.0	25	2-2355179-5
46.0	48.0	24	2-2355179-4
44.0	46.0	23	2-2355179-3
42.0	44.0	22	2-2355179-2
40.0	42.0	21	2-2355179-1
38.0	40.0	20	2-2355179-0
36.0	38.0	19	1-2355179-9
34.0	36.0	18	1-2355179-8
32.0	34.0	17	1-2355179-7
30.0	32.0	16	1-2355179-6
28.0	30.0	15	1-2355179-5
26.0	28.0	14	1-2355179-4
24.0	26.0	13	1-2355179-3
22.0	24.0	12	1-2355179-2
20.0	22.0	11	1-2355179-1
18.0	20.0	10	1-2355179-0
16.0	18.0	9	2355179-9
14.0	16.0	8	2355179-8
12.0	14.0	7	2355179-7
10.0	12.0	6	2355179-6
8.0	10.0	5	2355179-5
6.0	8.0	4	2355179-4
DIM "F"	DIM "E"	POS	TE PN



RECOMMENDED PCB HOLE PATTERN FOR THROUGH HOLE WAVE



RECOMMENDED PCB HOLE PATTERN FOR THROUGH HOLE REFLOW / PIN-IN-PASTE

PICK AND PLACE CAP	3
CONTACT PIN	2
HOUSING	1
DESCRIPTION	ITEM NO.

THIS DRAWING IS A CONTROLLED DOCUMENT.

DIMENSIONS:	TOLERANCES UNLESS OTHERWISE SPECIFIED:
mm	0 PLC ±
	1 PLC ±0.2
	2 PLC ±0.15
	3 PLC ±
	4 PLC ±
	ANGLES ±2°
	FINISH SEE NOTES

09 APR 2019
DWN RAGHAVENDRA.K
14 AUG 2019
CHK KARTHIK.JK
16 AUG 2019
APVD PRASHANTH

TE Connectivity

NAME AMPMODU 2mm BREAKAWAY HEADER SINGLE ROW, VERTICAL, 0.38 Au, TUBE, PICK AND PLACE CAP

108-64040
APPLICATION SPEC 114-32259

SIZE A2 CAGE CODE 00779 DRAWING NO C-2355179 RESTRICTED TO -

CUSTOMER DRAWING SCALE 10:1 SHEET 1 OF 1 REV B

Mouser Electronics

Authorized Distributor

Click to View Pricing, Inventory, Delivery & Lifecycle Information:

[TE Connectivity:](#)

[2355179-4](#)