

REVISIONS

P	LTR	DESCRIPTION	DATE	DWN	APVD
A		PARTS RLEASD FOR PRODUCTION	10JAN2019	RK	PS

NOTES:

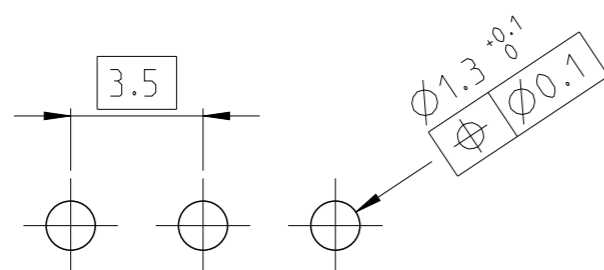
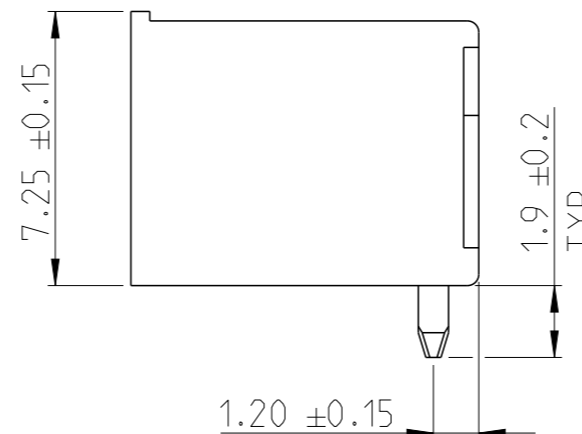
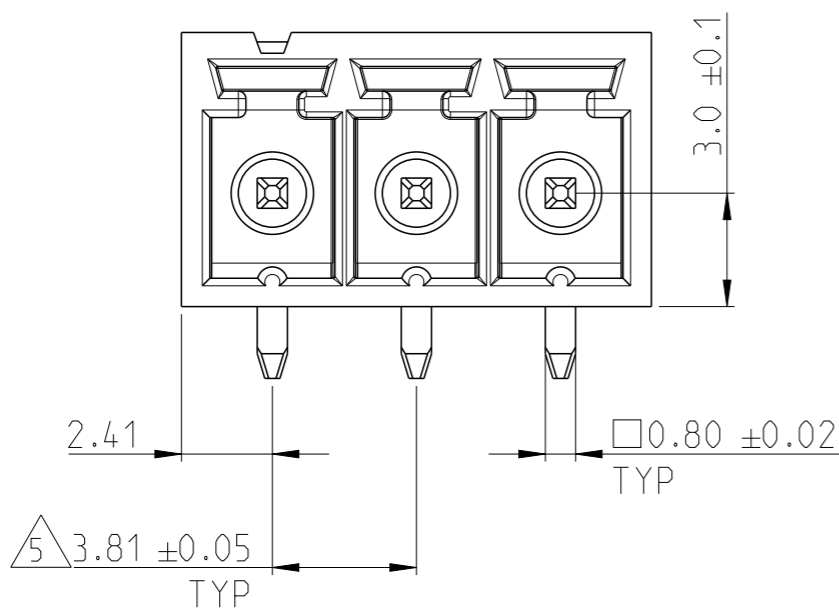
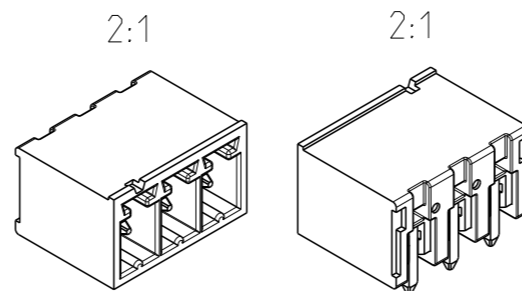
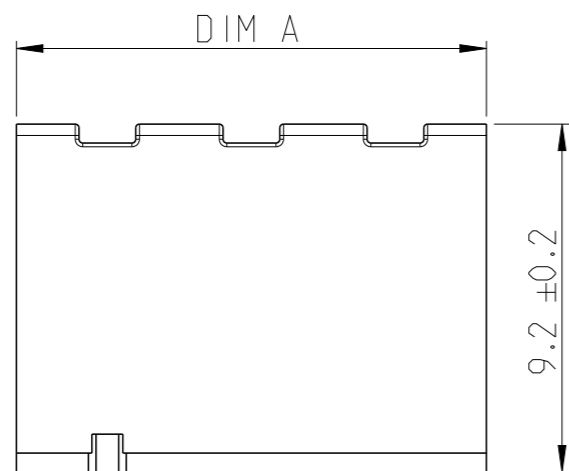
- MATERIAL AND FINISH:
HOUSING : HIGH TEMPERATURE POLYAMIDE, UL94V-0
COLOR BLACK.
TERMINAL : COPPER ALLOY, TIN PLATED.
- MECHANICAL
PLUG MAX. INSERTION FORCE PER POLE : 3.0 N
PLUG MIN. WITHDRAWAL FORCE PER POLE : 1.5 N
MIN. PC BOARD HOLES DIAMETER : 1.3 mm
MAX. PC BOARD THICKNESS : 1.6 mm
- ELECTRICAL
MAX. VOLTAGE : 300 V
MAX CURRENT : 11 A
CONTACT RESISTANCE : <15 m Ohm
INSULATION RESISTANCE : >1000 M Ohm (500V DC)

4. OPERATING TEMPERATURE RANGE: -40°C TO +105°C

△ NOT CUMULATIVE TOLERANCE.

6. PARTS ARE PACKED IN BOX.

96.25	25	2-2342077-5
92.44	24	2-2342077-4
88.63	23	2-2342077-3
84.82	22	2-2342077-2
81.01	21	2-2342077-1
77.20	20	2-2342077-0
73.39	19	1-2342077-9
69.58	18	1-2342077-8
65.77	17	1-2342077-7
61.96	16	1-2342077-6
58.15	15	1-2342077-5
54.34	14	1-2342077-4
50.53	13	1-2342077-3
46.72	12	1-2342077-2
42.91	11	1-2342077-1
39.10	10	1-2342077-0
35.29	9	2342077-9
31.48	8	2342077-8
27.67	7	2342077-7
23.86	6	2342077-6
20.05	5	2342077-5
16.24	4	2342077-4
12.43	3	2342077-3
8.62	2	2342077-2
DIM A	NO. OF POS	PART NUMBER



RECOMMENDED PC BOARD LAYOUT

THIS DRAWING IS A CONTROLLED DOCUMENT.		DWN 14DEC2018 RAGHAVENDRA.K	TE Connectivity	
DIMENSIONS: mm		CHK 19DEC2018 KARTHIK.JK		
TOLERANCES UNLESS OTHERWISE SPECIFIED:		APVD 19DEC2018 PRASHANTH	NAME HEADER 90 DEG, HIGH TEMPERATURE, 3.81MM PITCH, TAIL LENGTH 1.9mm	
0 PLC ± 1 PLC ±0.3 2 PLC ±0.25 3 PLC ± 4 PLC ± ANGLES ±2°		PRODUCT SPEC	SIZE	RESTRICTED TO
MATERIAL SEE NOTES		APPLICATION SPEC	CAGE CODE	
FINISH SEE NOTES		WEIGHT	DRAWING NO	
		CUSTOMER DRAWING	A3 00779	SCALE 5:1
			©=2342077	SHEET 1 OF 1
				REV A

Mouser Electronics

Authorized Distributor

Click to View Pricing, Inventory, Delivery & Lifecycle Information:

[TE Connectivity:](#)

[1-2342077-5](#)