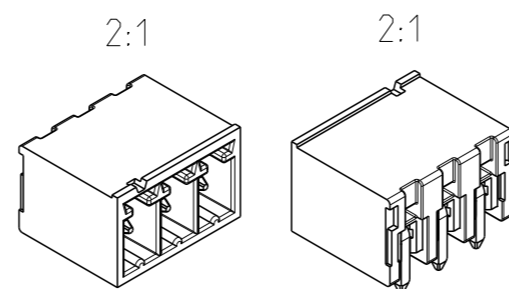
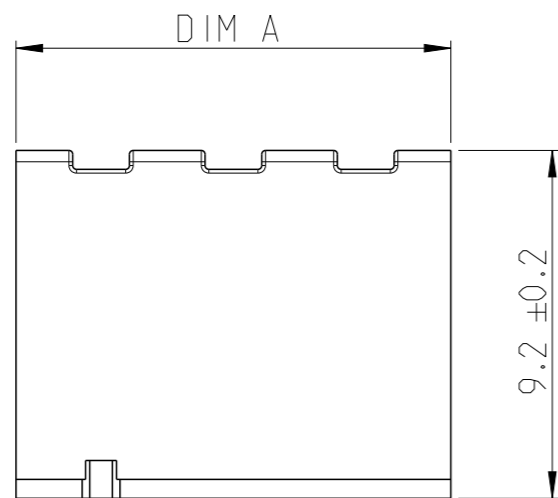
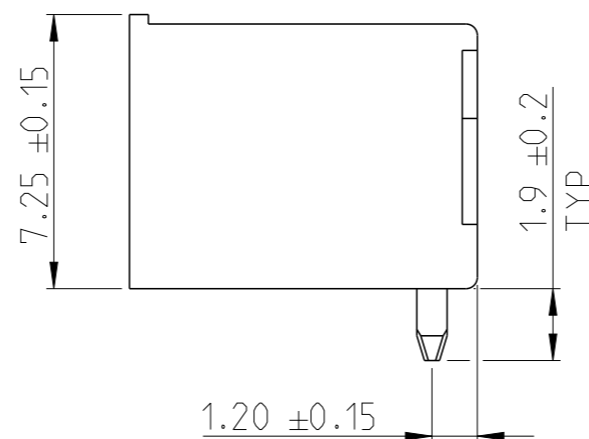
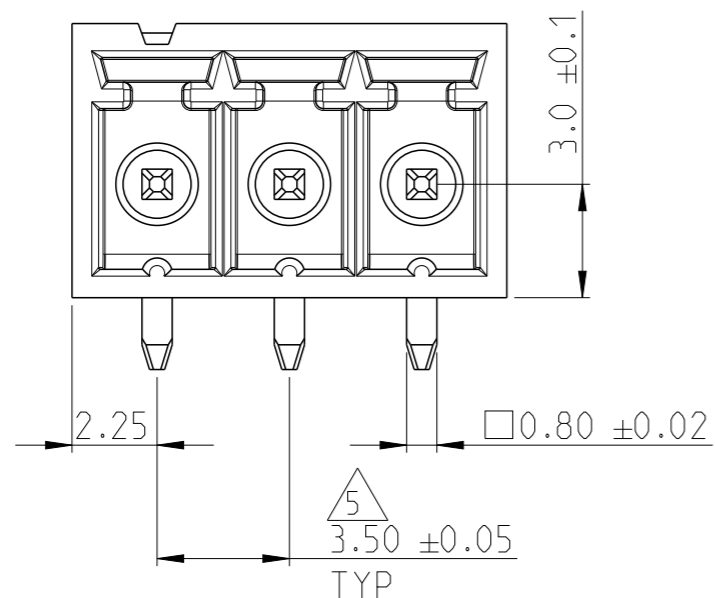


REVISIONS

P	LTR	DESCRIPTION	DATE	DWN	APVD
	A	PARTS RLEASD FOR PRODUCTION	11JAN2019	RK	PS



- MATERIAL AND FINISH:  
HOUSING : HIGH TEMPERATURE POLYAMIDE, UL94V-0  
COLOR BLACK.  
TERMINAL : COPPER ALLOY, TIN PLATED.
- MECHANICAL  
PLUG MAX. INSERTION FORCE PER POLE : 3.0 N  
PLUG MIN. WITHDRAWAL FORCE PER POLE : 1.5 N  
MIN. PC BOARD HOLES DIAMETER : 1.3 mm  
MAX. PC BOARD THICKNESS : 1.6 mm
- ELECTRICAL  
MAX. VOLTAGE : 300 V  
MAX CURRENT : 11 A  
CONTACT RESISTANCE : <15 m Ohm  
INSULATION RESISTANCE : >1000 M Ohm (500V DC)

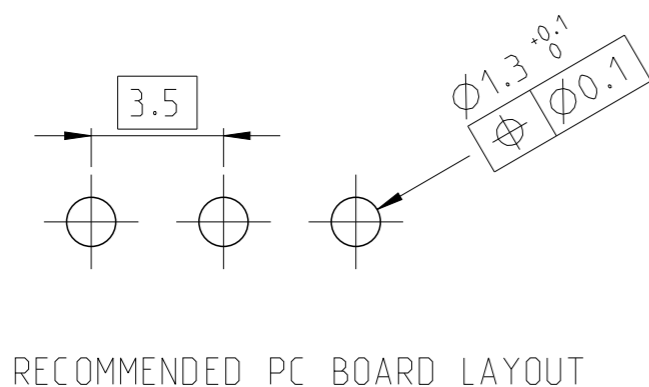


4. OPERATING TEMPERATURE RANGE: -40°C TO +105°C

5. NOT CUMULATIVE TOLERANCE.

6. PARTS ARE PACKED IN BOX.

88.5	25	2-2342076-5
85.0	24	2-2342076-4
81.5	23	2-2342076-3
78.0	22	2-2342076-2
74.5	21	2-2342076-1
71.0	20	2-2342076-0
67.5	19	1-2342076-9
64.0	18	1-2342076-8
60.5	17	1-2342076-7
57.0	16	1-2342076-6
53.5	15	1-2342076-5
50.0	14	1-2342076-4
46.5	13	1-2342076-3
43.0	12	1-2342076-2
39.5	11	1-2342076-1
36.0	10	1-2342076-0
32.5	9	2342076-9
29.0	8	2342076-8
25.5	7	2342076-7
22.0	6	2342076-6
18.5	5	2342076-5
15.0	4	2342076-4
11.5	3	2342076-3
8.0	2	2342076-2
DIM A	NO. OF POS	PART NUMBER



RECOMMENDED PC BOARD LAYOUT

THIS DRAWING IS A CONTROLLED DOCUMENT.		DWN 16NOV2018 RAGHAVENDRA.K		
DIMENSIONS: mm		CHK 20NOV2018 KARTHIK.JK		
TOLERANCES UNLESS OTHERWISE SPECIFIED:		APVD 20NOV2018 PRASHANTH.S	NAME HEADER 90 DEG, HIGH TEMPERATURE, 3.5MM PITCH, TAIL LENGTH 1.9mm	
0 PLC ±0.3		PRODUCT SPEC	-	
1 PLC ±0.25		APPLICATION SPEC	-	
2 PLC ±0.25		WEIGHT	-	
3 PLC ±0.25		CUSTOMER DRAWING	-	
4 PLC ±0.25		SCALE 5:1	SHEET 1 OF 1	
ANGLES ±2°		RESTRICTED TO	-	
FINISH SEE NOTES		SIZE A3	CAGE CODE 00779	DRAWING NO C-2342076
MATERIAL SEE NOTES		REV A		

# Mouser Electronics

Authorized Distributor

Click to View Pricing, Inventory, Delivery & Lifecycle Information:

[TE Connectivity:](#)

[1-2342076-9](#)