

2018

RELEASED FOR PUBLICATION

THIS DRAWING IS UNPUBLISHED.

BY Tyco Electronics AMP GmbH ALL RIGHTS RESERVED.

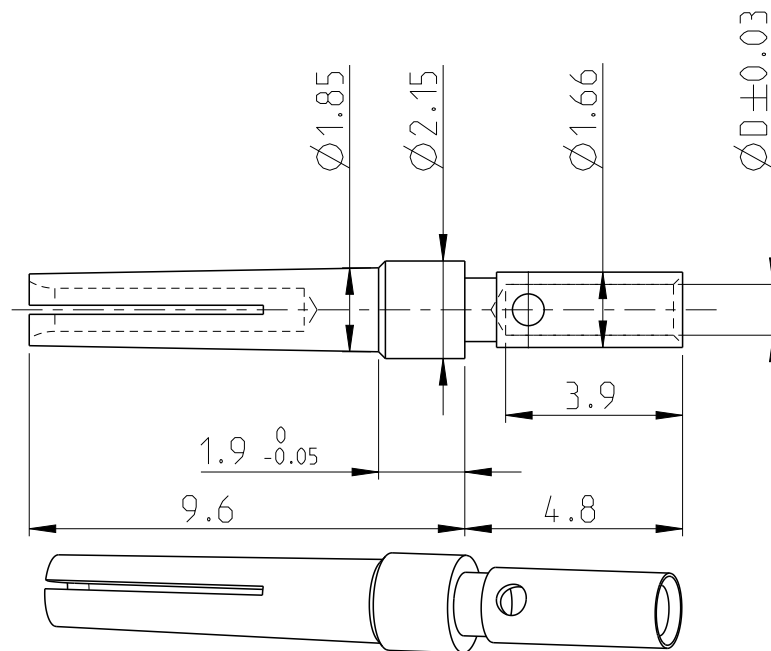
© COPYRIGHT 2018

REVISIONS

P	LTR	DESCRIPTION	DATE	DWN	APVD
	A	INITIAL RELEASE	11JUL2018	GK	ES

NOTES:

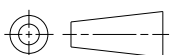
- 1 COPPER ALLOY.
- 2 GOLD PLATED OVER NICKEL
- 3. DURABILITY: 250 MATING CYCLES
- 4. MAX CURRENT 7A  
MAX CONTACT RESISTANCE 10MΩ



NOT IN PRODUCTION

0.24	0.64	24-28	2334108-4
0.23	0.90	22-24	2334108-3
0.22	1.12	20-24	2334108-2
0.23	1.36	18	2334108-1
WEIGHT (g)	D	AWG	PART NO

DIMENSIONS: mm	DWN GOPALAKRISHNA HV	20APR2018	MATERIAL	1	FINISH	2
	CHK E STELLINGA	20APR2018				
TOLERANCES UNLESS OTHERWISE SPECIFIED:	APVD E STELLINGA	20APR2018				
0 PLC ±	PRODUCT SPEC	-	SIZE	CAGE CODE	DRAWING NO	RESTRICTED TO
1 PLC ±	APPLICATION SPEC	-	A 4	00779	C=2334108	-
2 PLC ±	WEIGHT	SEE TABLE	CUSTOMER DRAWING			
3 PLC ±			SCALE	SHEET	REV	
4 PLC ±			6:1	1 OF 1	A	
ANGLES ±						



# Mouser Electronics

Authorized Distributor

Click to View Pricing, Inventory, Delivery & Lifecycle Information:

[TE Connectivity:](#)

[2334108-4](#)