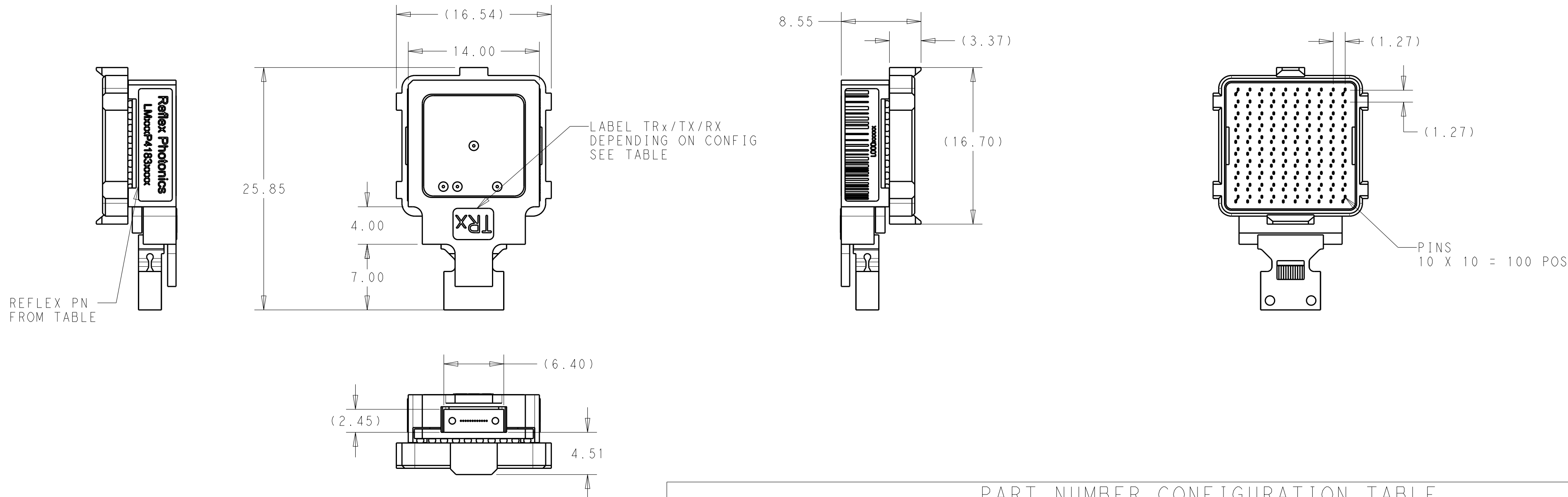


THIS DRAWING IS UNPUBLISHED. RELEASED FOR PUBLICATION
 © COPYRIGHT 2018 BY TE CONNECTIVITY ALL RIGHTS RESERVED.

REVISIONS					
P	LTR	DESCRIPTION	DATE	DWN	APVD
3		MISC CHANGES	21JUN2018	HBP	
4		ADDED FIBER LANE ASSIGNMENTS	25JUN2018	HBP	
A		RELEASED	10AUG2018	HBP	MB
A1		OBSOLETED PNs	23JUL2019	BP	BP

PLUGGABLE MODULE DIMENSIONS:



OBSOLETE

OBSOLETE

OBSOLETE

OBSOLETE
OBSOLETE

PART NUMBER CONFIGURATION TABLE						
TE PN	REFLEX PN	DESCRIPTION	MOUNTING	PLATING	SENS	LAUNCH POWER
2324827-1	LMX04P4182321AA	4x4 CHANNEL TRx MODULE	SMT	Tin/Lead	-9.0 dBm	-1.5 to 3.5 dBm
2324827-2	--	4x4 CHANNEL TRx MODULE	SMT	RoHS	-9.0 dBm	-1.5 to 3.5 dBm
2324827-3	LMX04P4182323AA	4x4 CHANNEL TRx MODULE	SMT	Tin/Lead	-12.0 dBm	-1.5 to 3.5 dBm
2324827-4	--	4x4 CHANNEL TRx MODULE	SMT	RoHS	-12.0 dBm	-1.5 to 3.5 dBm
2324827-5	LMX04P4183323AA	4x4 CHANNEL TRx MODULE	PLUGGABLE	RoHS	-12.0 dBm	-1.5 to 3.5 dBm
2324827-6	LMX04P4183321AA	4x4 CHANNEL TRx MODULE	PLUGGABLE	RoHS	-9.0 dBm	-1.5 to 3.5 dBm
2330889-1	--	12 CHANNEL RX MODULE	SMT	RoHS	-12.0 dBm	--
2330889-2	LMR12P4182303AA	12 CHANNEL RX MODULE	SMT	Leaded	-12.0 dBm	--
2330889-3	LMR12P4183303AA	12 CHANNEL RX MODULE	PLUGGABLE	RoHS	-12.0 dBm	--
2330885-1	--	12 CHANNEL TX MODULE	SMT	RoHS	--	-5 to -1 dBm
2330885-2	--	12 CHANNEL TX MODULE	SMT	RoHS	--	-2 to 4 dBm
2330885-3	LMT12P4182310AA	12 CHANNEL TX MODULE	SMT	Leaded	--	-5 to -1 dBm
2330885-4	LMT12P4182330AA	12 CHANNEL TX MODULE	SMT	Leaded	--	-2 to 4 dBm
2330885-5	LMT12P4183310AA	12 CHANNEL TX MODULE	PLUGGABLE	RoHS	--	-5 to -1 dBm
2330885-6	LMT12P4183330AA	12 CHANNEL TX MODULE	PLUGGABLE	RoHS	--	-2 to 4 dBm

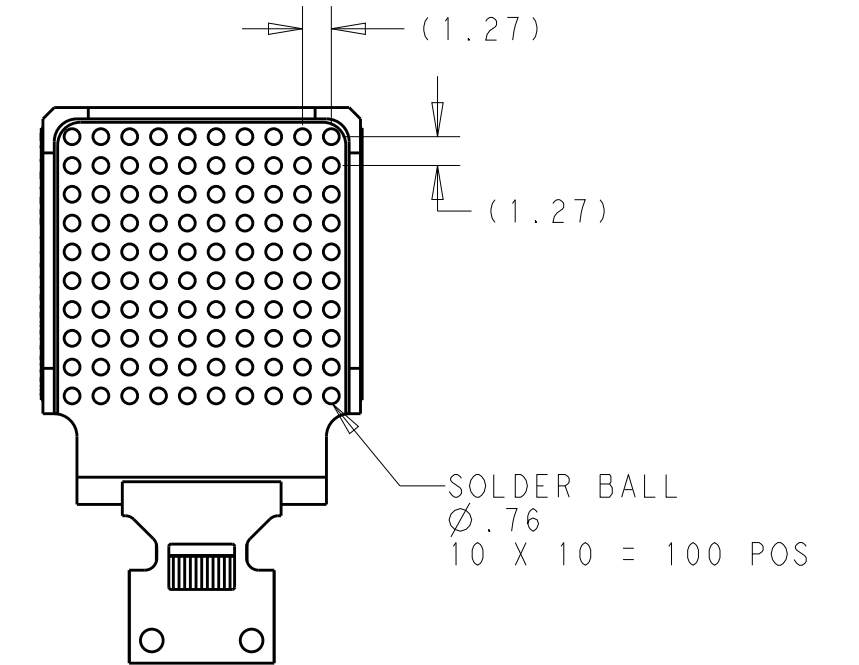
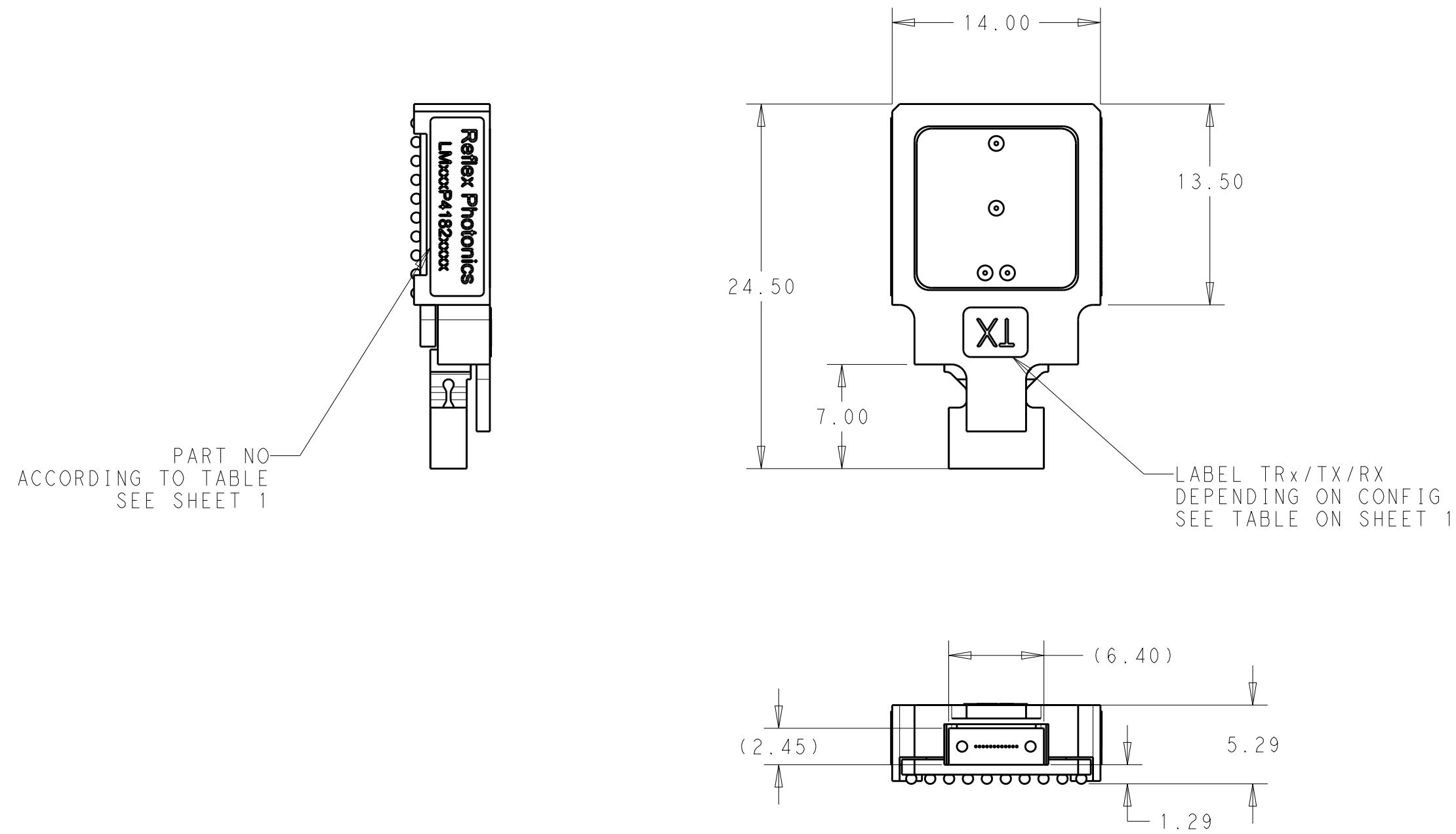
1. EACH MODULE PART NUMBER IS SUPPLIED WITH
 QTY 1 MICROCLIP 2333569-1
 QTY 1 MT PIN HOLDER 2336235-1

THIS DRAWING IS A CONTROLLED DOCUMENT.		DWN B. PIPER 24APR2018	TE Connectivity	
DIMENSIONS: mm		CHK -		
TOLERANCES UNLESS OTHERWISE SPECIFIED:		APVD B. PIPER 24APR2018	NAME OPTICAL MODULE, TRx/TX/RX	
0 PLC ±		PRODUCT SPEC	10 Gbps, IND TEMP	
1 PLC ±		APPLICATION SPEC	SIZE	CAGE CODE
2 PLC ±0.10		WEIGHT	A2	00779
3 PLC ±		CUSTOMER DRAWING	SCALE	3:1
4 PLC ±		SCALE	SHEET	1 OF 3
ANGLES ±		SCALE	REV	A1
FINISH		SCALE	3:1	
MATERIAL SEE TABLE		SCALE	3:1	

THIS DRAWING IS UNPUBLISHED. RELEASED FOR PUBLICATION
© COPYRIGHT 2018 BY TE CONNECTIVITY ALL RIGHTS RESERVED.

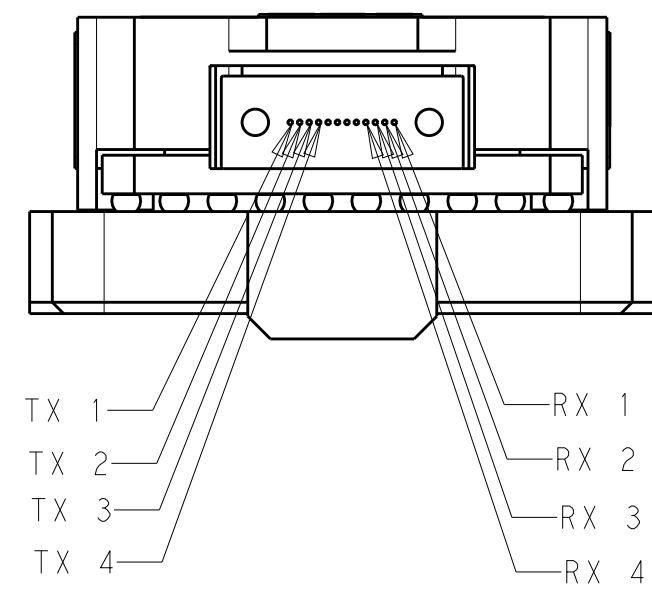
REVISIONS				
P	LTR	DESCRIPTION	DATE	APVD
		SEE SHEET 1		

SURFACE MOUNT (SMT) MODULE DIMENSIONS:



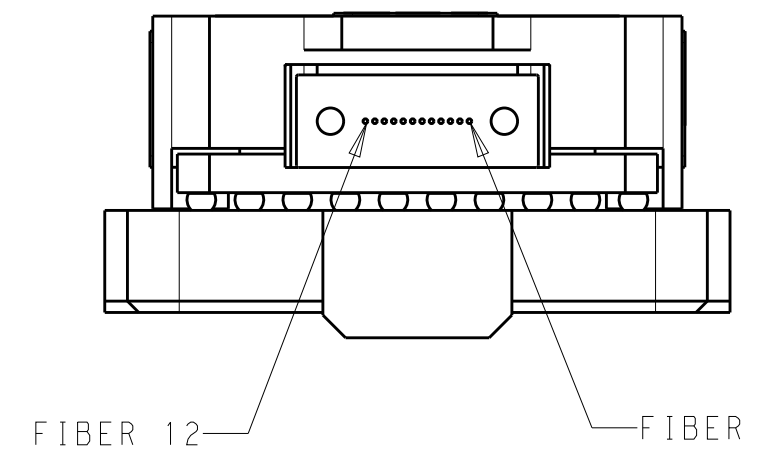
OPTICAL INTERFACE LANE ASSIGNMENTS

4X4 CHANNEL TRANSCEIVER (TRx) OPTICAL INTERFACE



NOTE: MIDDLE 4 LANES ARE UNUSED FOR 4X4 TRANSCEIVER

12 CHANNEL RECEIVER/TRANSMITTER (RX/TX) OPTICAL INTERFACE

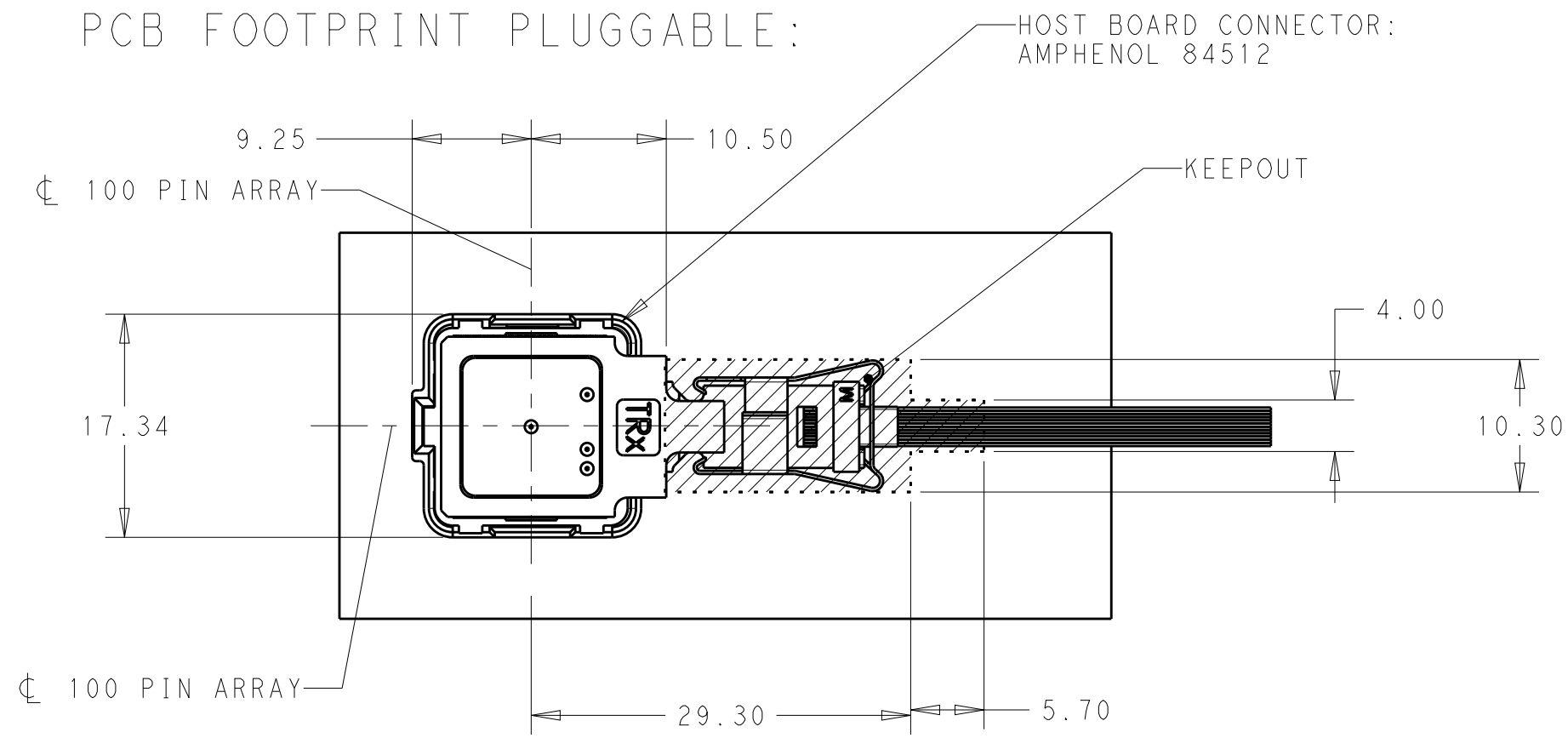


THIS DRAWING IS A CONTROLLED DOCUMENT.		DWN B. PIPER 24APR2018	STE TE Connectivity	
		CHK -		
DIMENSIONS: mm		APVD B. PIPER 24APR2018	NAME OPTICAL MODULE, TRx/TX/RX 10 Gbps, IND TEMP	
TOLERANCES UNLESS OTHERWISE SPECIFIED: 0 PLC ± 1 PLC ± 2 PLC ±0.10 3 PLC ± 4 PLC ± ANGLES ± FINISH		PRODUCT SPEC -	SIZE A200779	
MATERIAL SEE TABLE		APPLICATION SPEC -	CAGE CODE C-2324827	RESTRICTED TO
		WEIGHT -	DRAWING NO C-2324827	SCALE 3:1
		CUSTOMER DRAWING	SHEET 2 OF 3	REV A1

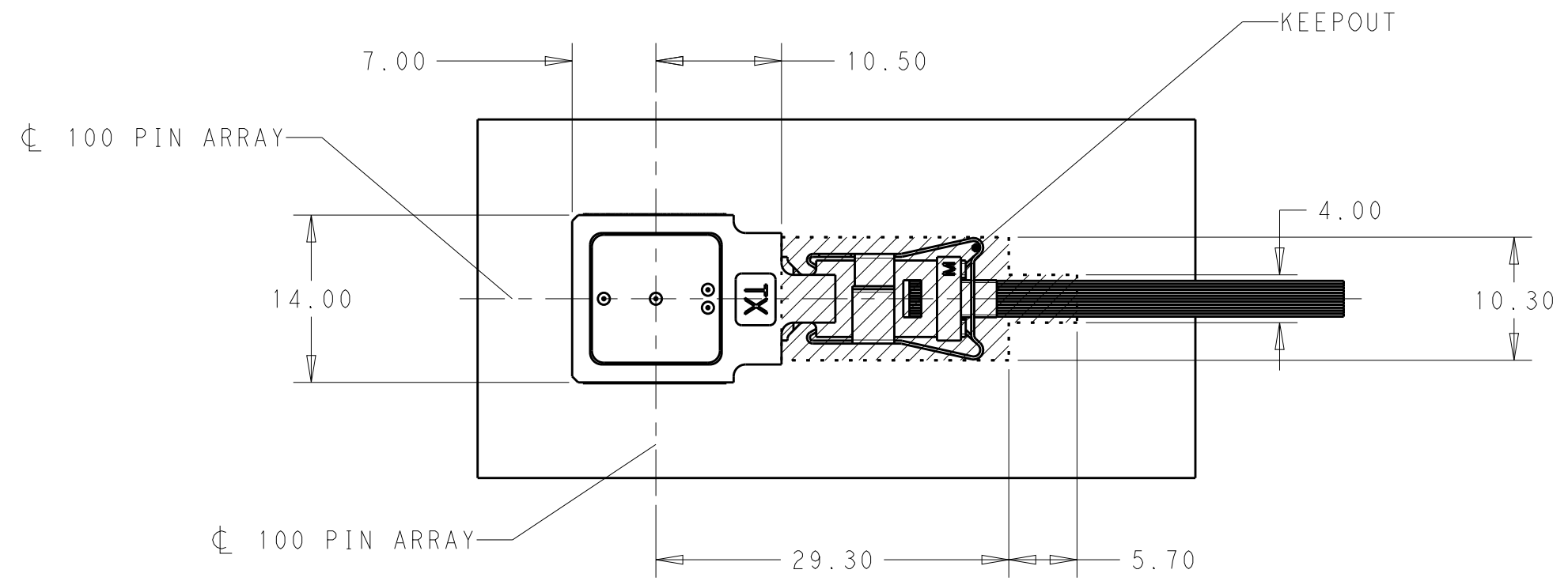
THIS DRAWING IS UNPUBLISHED. RELEASED FOR PUBLICATION
 © COPYRIGHT 2018 BY TE CONNECTIVITY ALL RIGHTS RESERVED.

REVISIONS				
P	LTR	DESCRIPTION	DATE	APVD
		SEE SHEET 1		

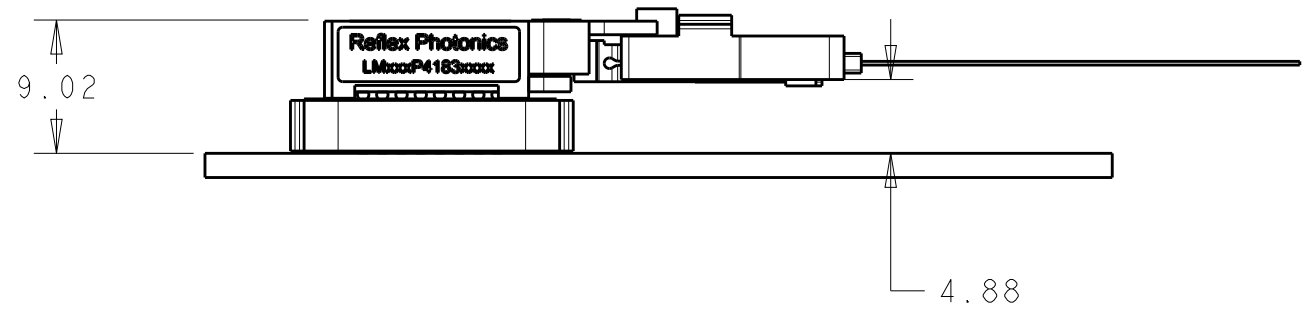
PCB FOOTPRINT PLUGGABLE:



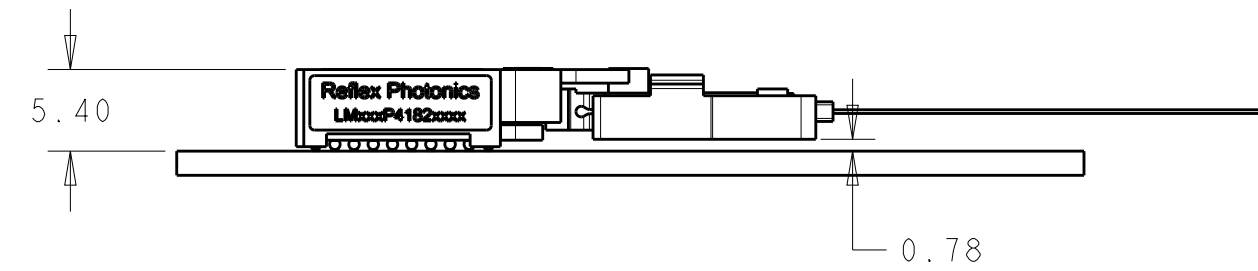
PCB FOOTPRINT SMT:



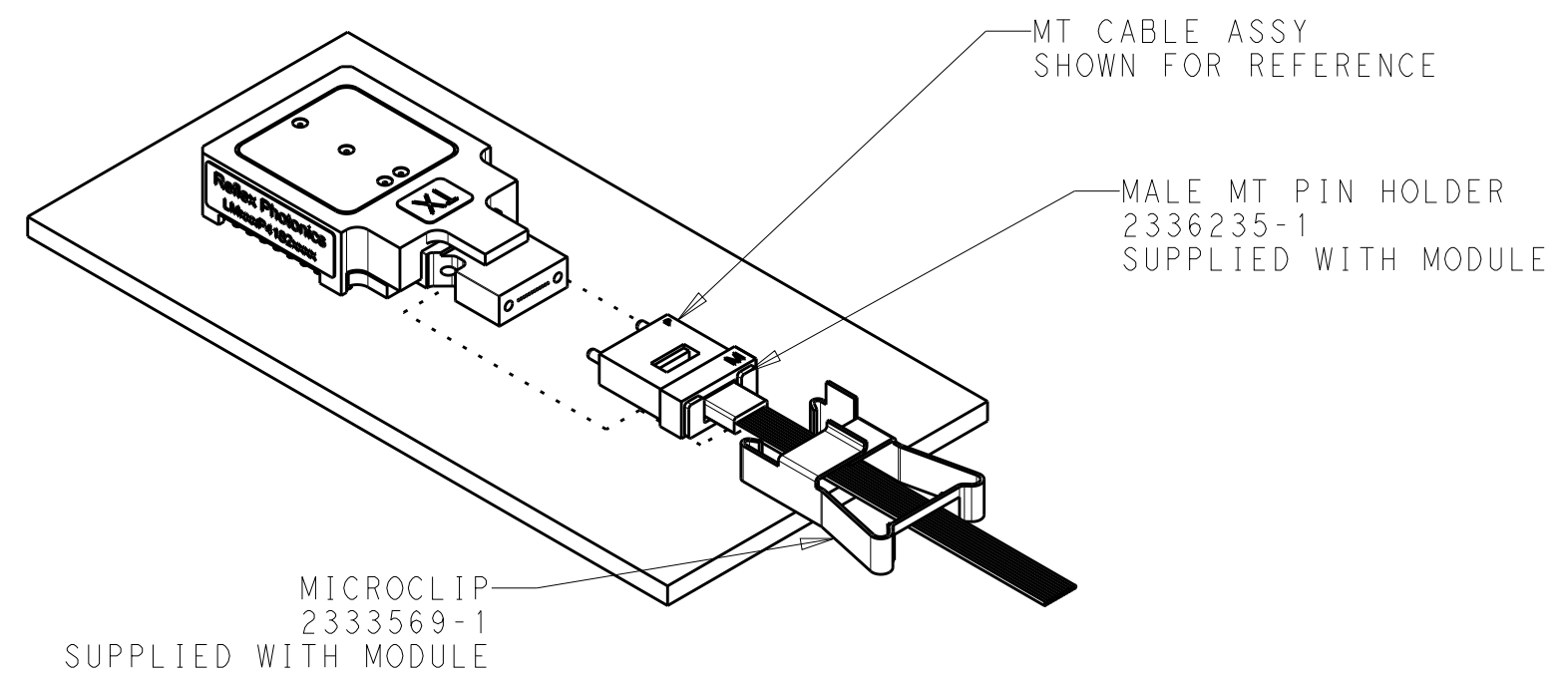
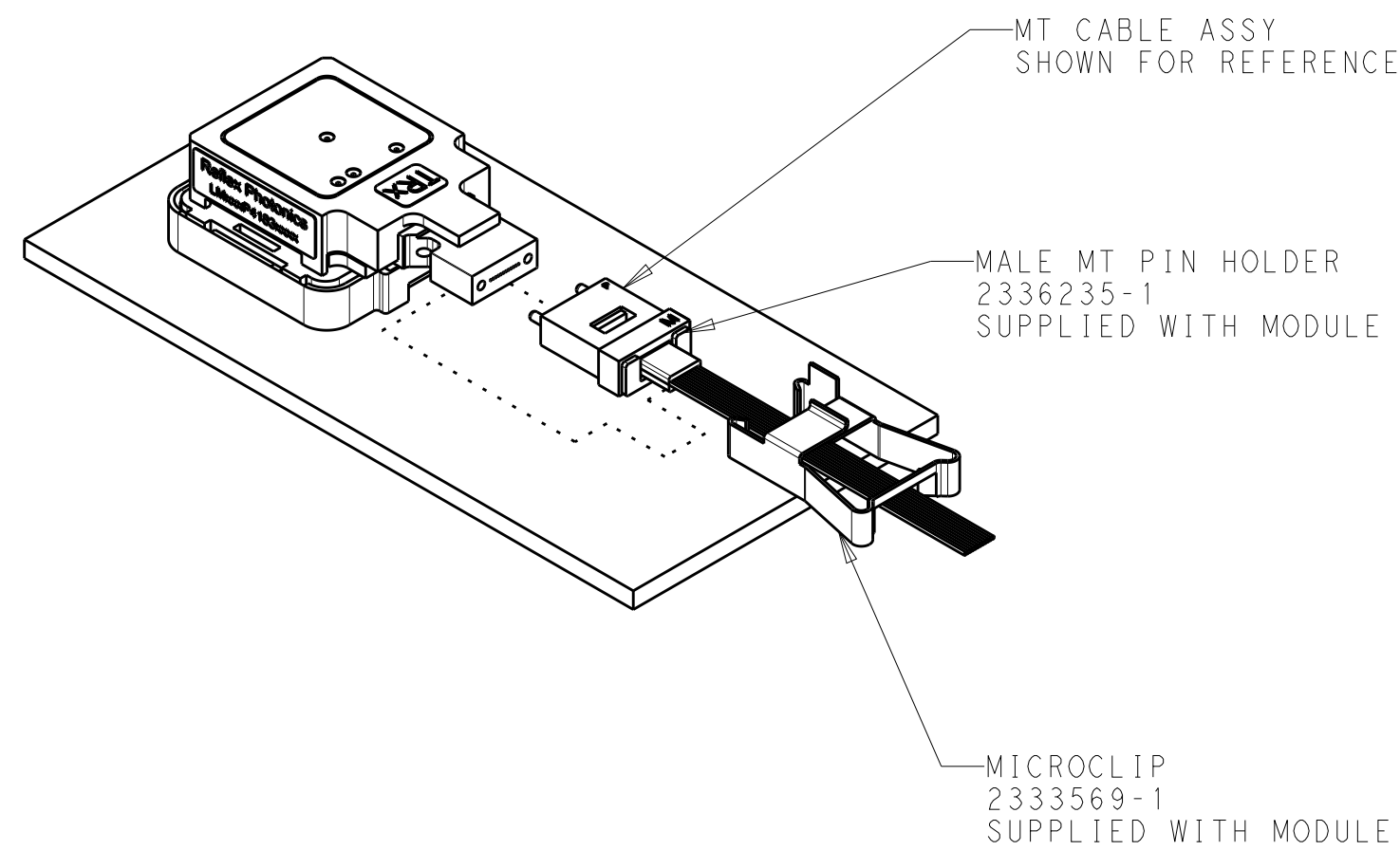
INSTALLED HEIGHT PLUGGABLE:



INSTALLED HEIGHT SMT:



EXPLODED ASSMEBLY:



THIS DRAWING IS A CONTROLLED DOCUMENT.		DWN B. PIPER 24APR2018	TE Connectivity	
DIMENSIONS: mm		CHK -		
TOLERANCES UNLESS OTHERWISE SPECIFIED:		APVD B. PIPER 24APR2018	NAME OPTICAL MODULE, TRx/TX/RX 10 Gbps, IND TEMP	
0 PLC ± 1 PLC ± 2 PLC ±0.10 3 PLC ± 4 PLC ± ANGLES ± FINISH -		PRODUCT SPEC -	SIZE A200779	
MATERIAL SEE TABLE		APPLICATION SPEC -	DRAWING NO C-2324827	
		WEIGHT -	RESTRICTED TO	
		CUSTOMER DRAWING	SCALE 3:1	SHEET 3 OF 3
			REV A1	

Mouser Electronics

Authorized Distributor

Click to View Pricing, Inventory, Delivery & Lifecycle Information:

[TE Connectivity:](#)

[2330889-3](#)