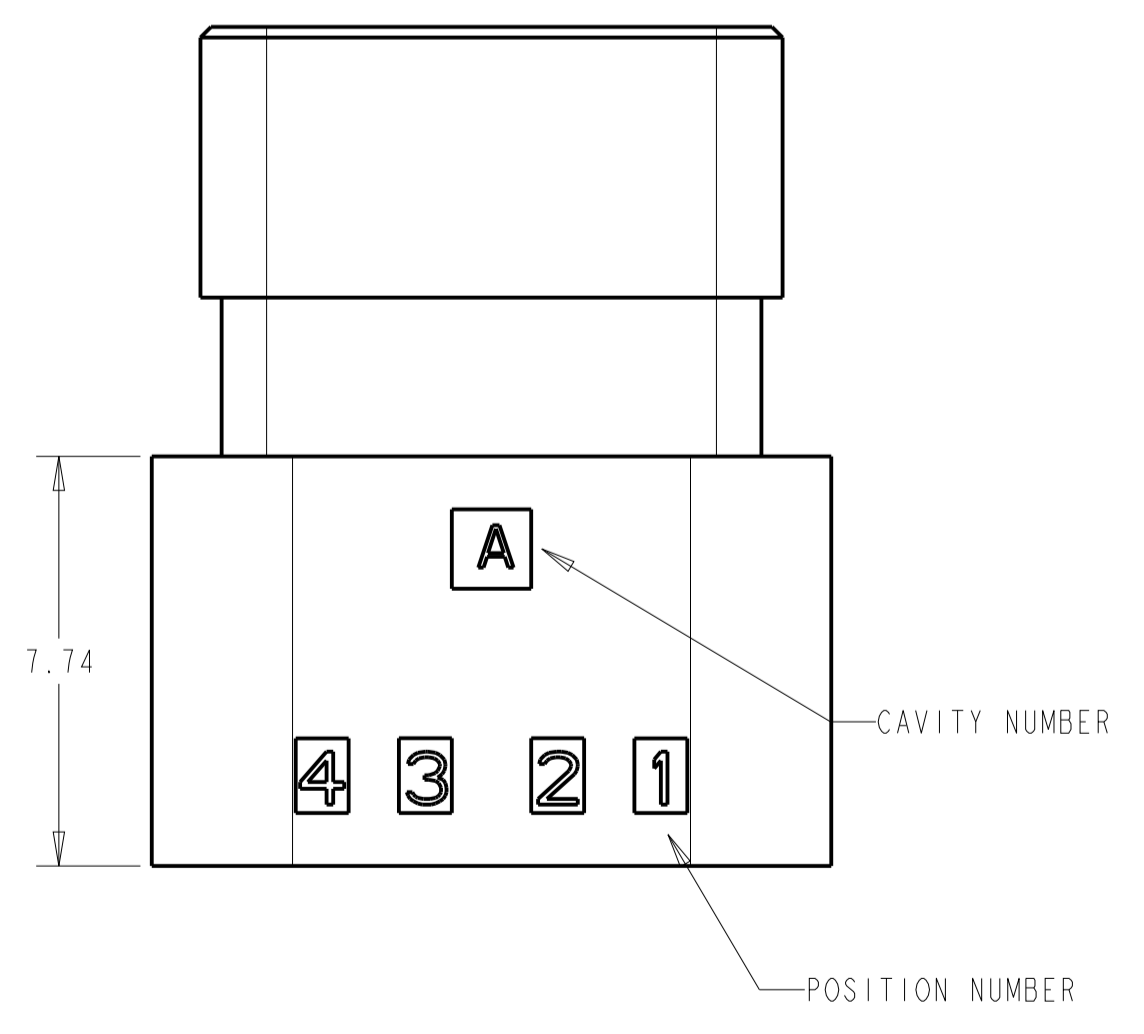
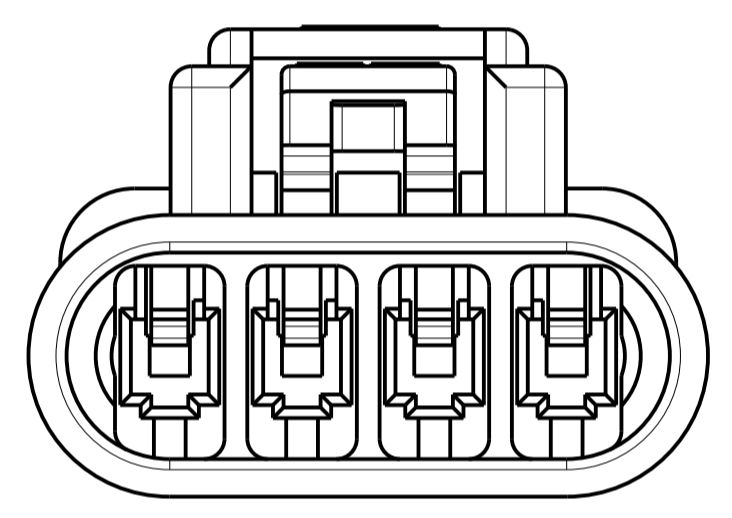
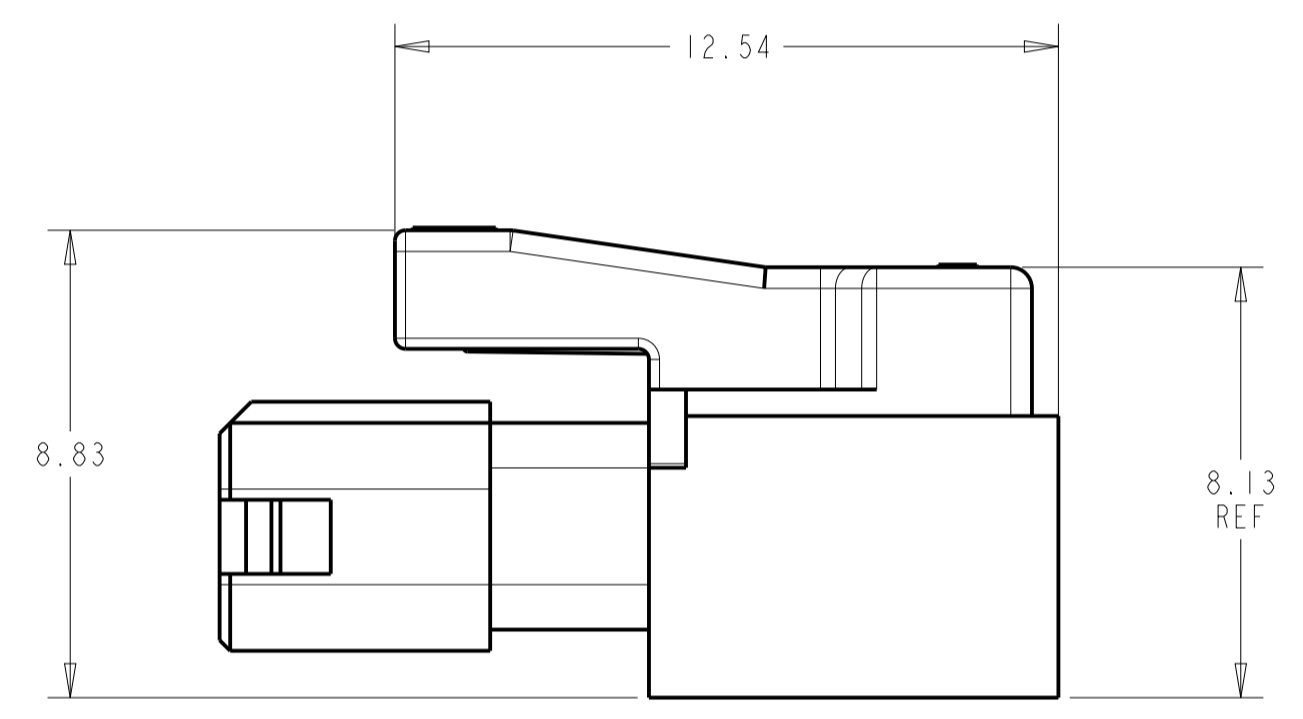
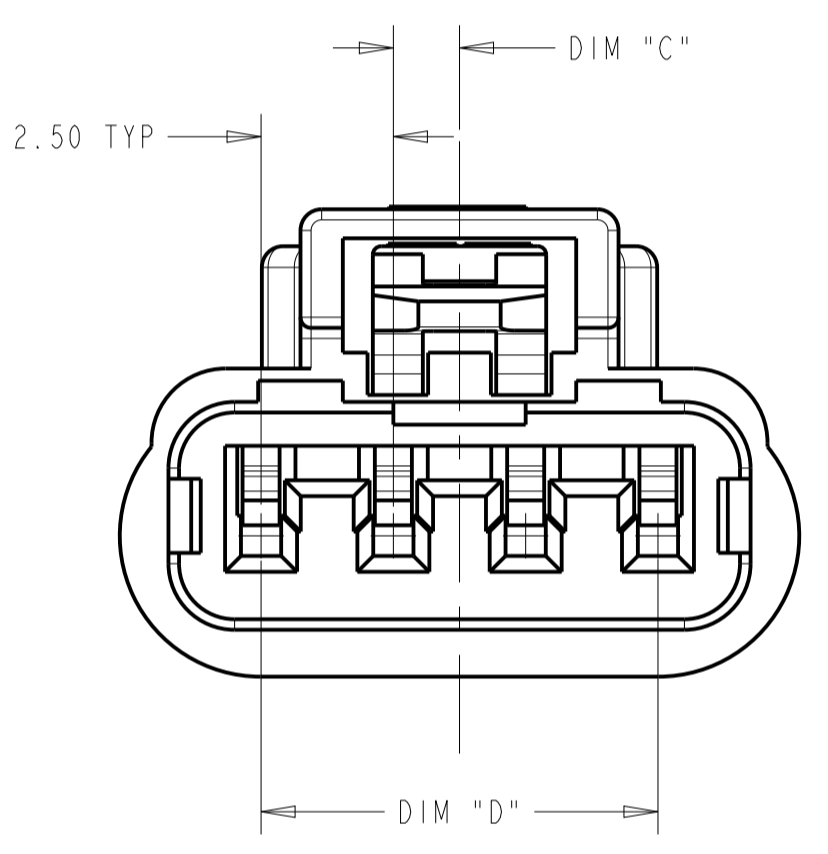
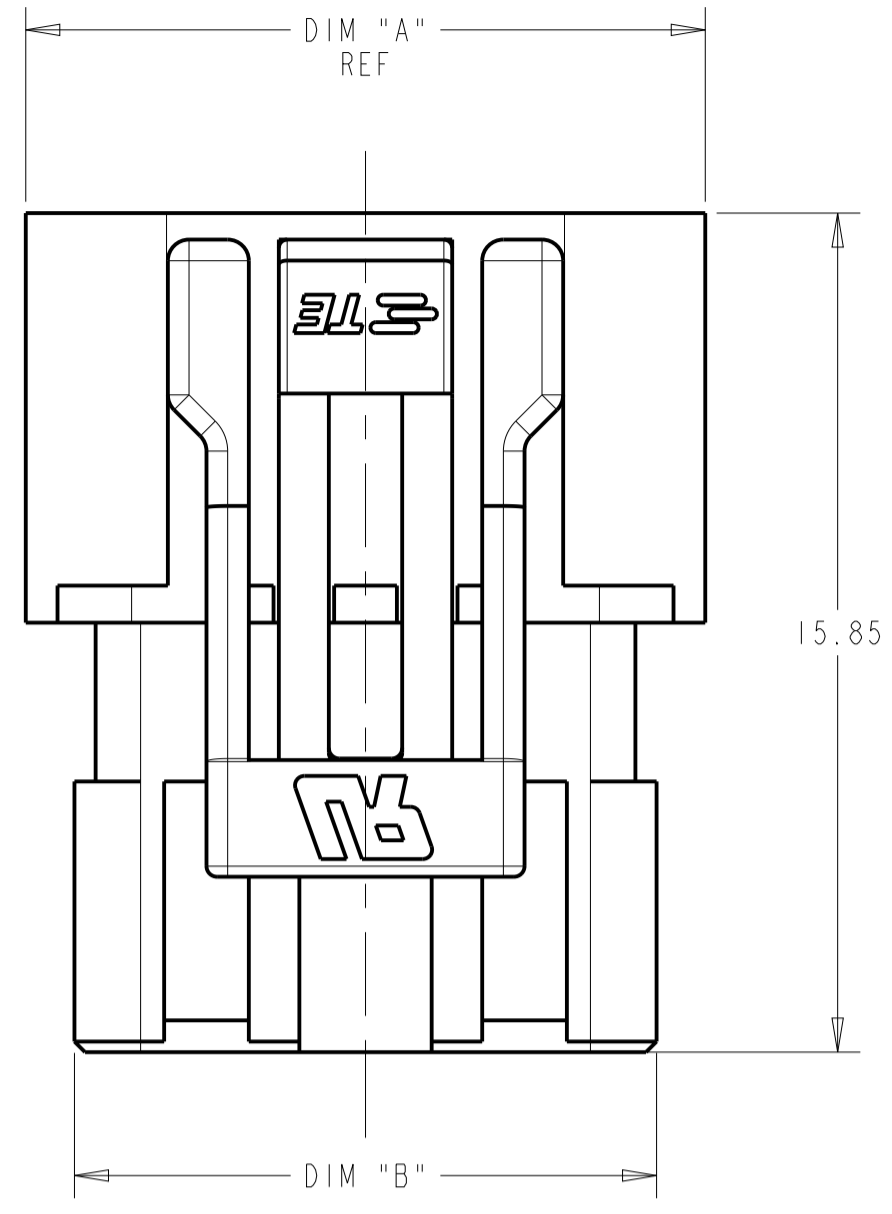
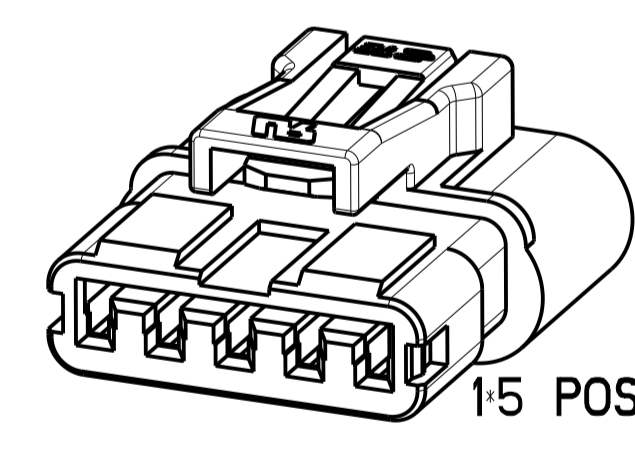
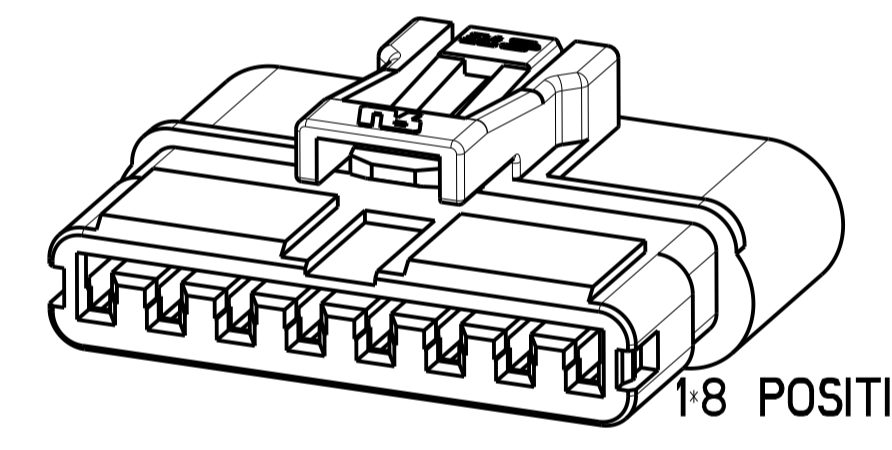
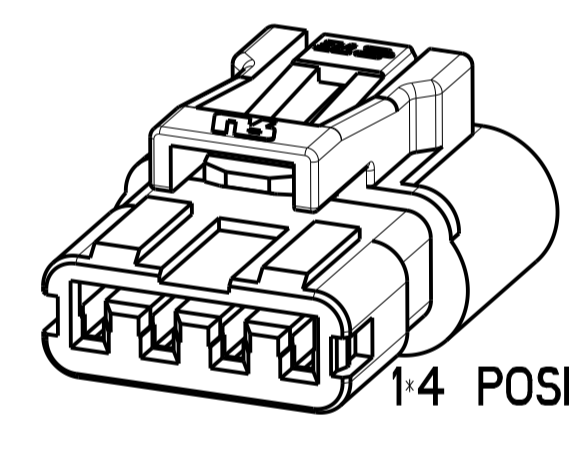
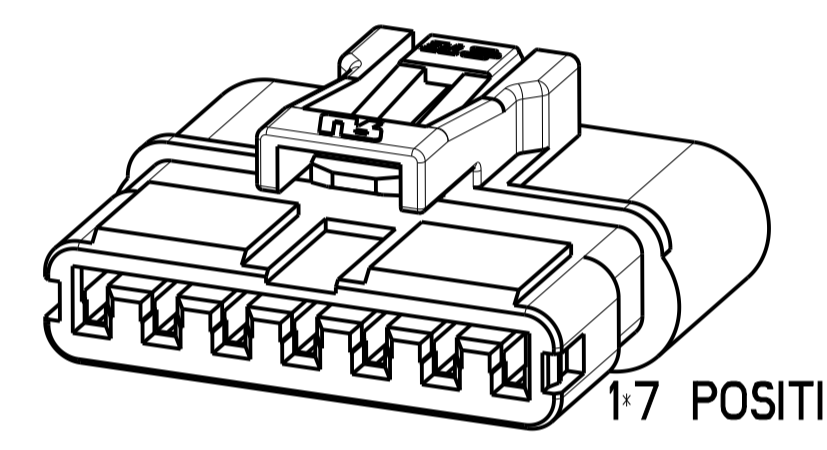
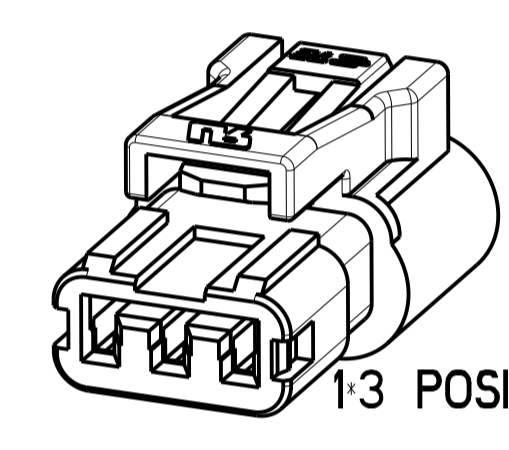
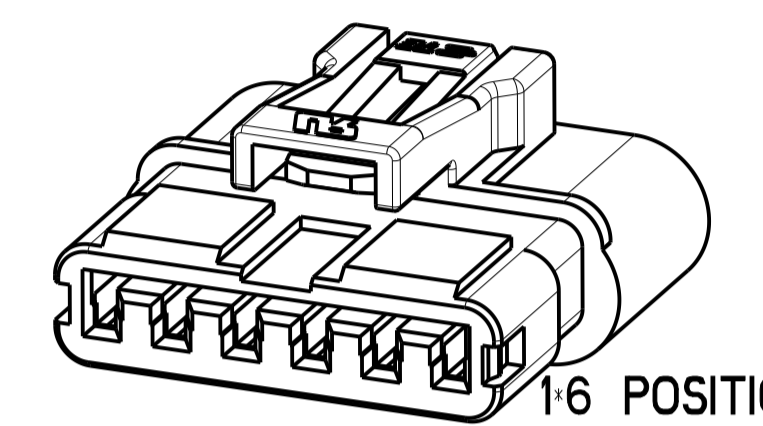
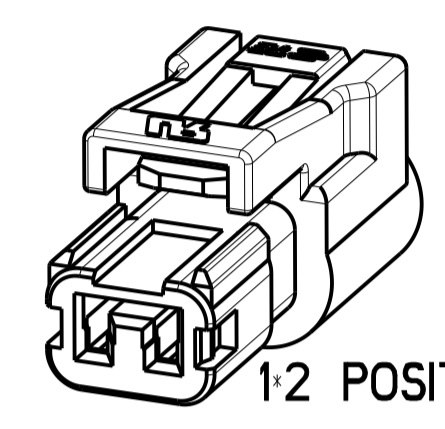


REVISIONS				
P.	LTN	DESCRIPTION	DATE	OWN APVD
A		NEW RELEASE	12FEB2020	L.C D. Z
A1		REVISED PER ECR-21-100244	14FEB2021	PC MM



- 1 MATERIAL: PA66, UL94V-0, COLOR: NATURAL
- 2 APPLICABLE CONTACT P/N  
2321921-1 OR 1-2321921-1
- 3 MATING CONNECTOR P/N  
RECEP HSG: 2321926-\*/2321924-  
TPA (OPTIONAL): 2321919-  
PERIMETER SEAL: 2321920-  
GANG SEAL: 2321922-\*
- 4 COMPLY WITH GLOW WIRE REQUIREMENTS FOR PARTS OF NON-METALLIC MATERIAL SUPPORTING A CURRENT-CARRYING CONNECTION DETAILED IN IEC 60335-1, SECTION 30(GWT)
- 5 PRELIMINARY PART - NOT RELEASED FOR PRODUCTION  
THIS PART HAS NOT COMPLETED QUALIFICATION TESTING



17.50	1.25	21.00	22.84	1*8	2321918-8
15.00	0	18.50	20.34	1*7	2321918-7
12.50	1.25	16.00	17.84	1*6	2321918-6
10.00	0	13.50	15.34	1*5	2321918-5
7.50	1.25	11.00	12.84	1*4	2321918-4
5.00	0	8.50	10.34	1*3	2321918-3
2.50	1.25	6.00	7.84	1*2	2321918-2
DIM "D"	DIM "C"	DIM "B"	DIM "A"	POSN	PART NUMBER

THIS DRAWING IS A CONTROLLED DOCUMENT.

OWN: B. WEAVER 15FEB2019  
CHK: S. FERNANDES 15FEB2019  
APVD: C. YI 15FEB2019

**TE** TE Connectivity

NAME: PLUG HOUSING, SDL 2.5 WATERPROOF

PRODUCT SPEC: 108-143069  
APPLICATION SPEC: 114-143067

SIZE: 00779 C=2321918  
SCALE: 4:1 SHEET: 1 OF 1 REV: A1

MATERIAL: PA66  
FINISH: -  
WEIGHT: -  
CUSTOMER DRAWING

# Mouser Electronics

Authorized Distributor

Click to View Pricing, Inventory, Delivery & Lifecycle Information:

[TE Connectivity:](#)

[2321918-6](#)