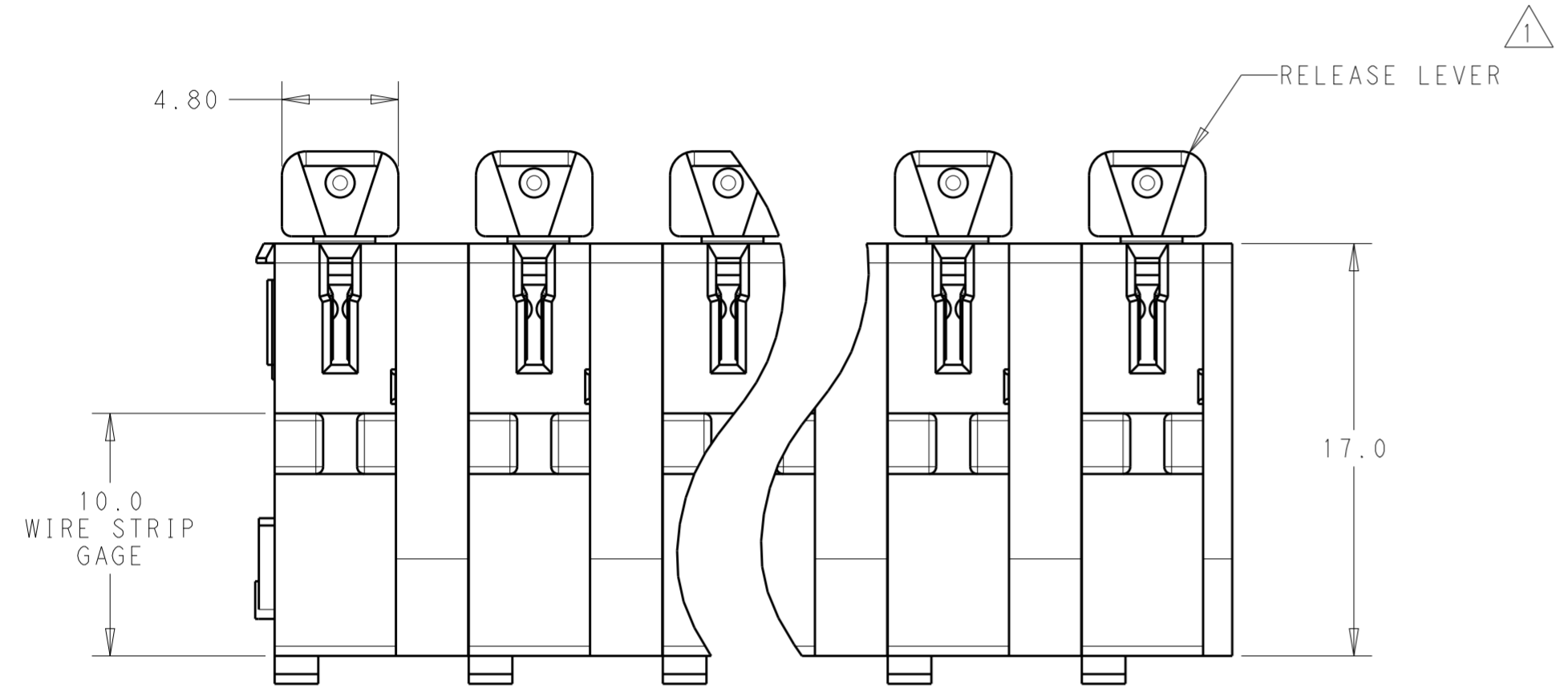


THIS DRAWING IS UNPUBLISHED. RELEASED FOR PUBLICATION
 © COPYRIGHT copyright.d8te- ALL RIGHTS RESERVED.

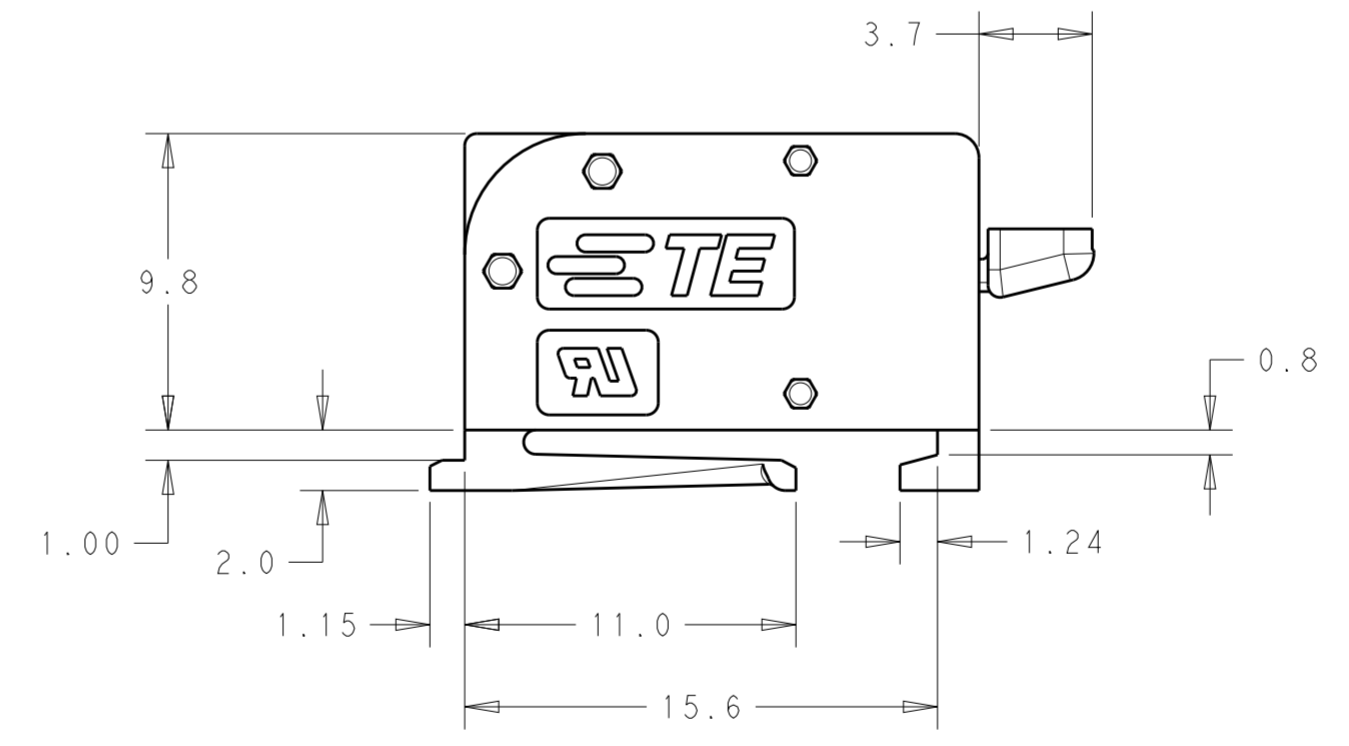
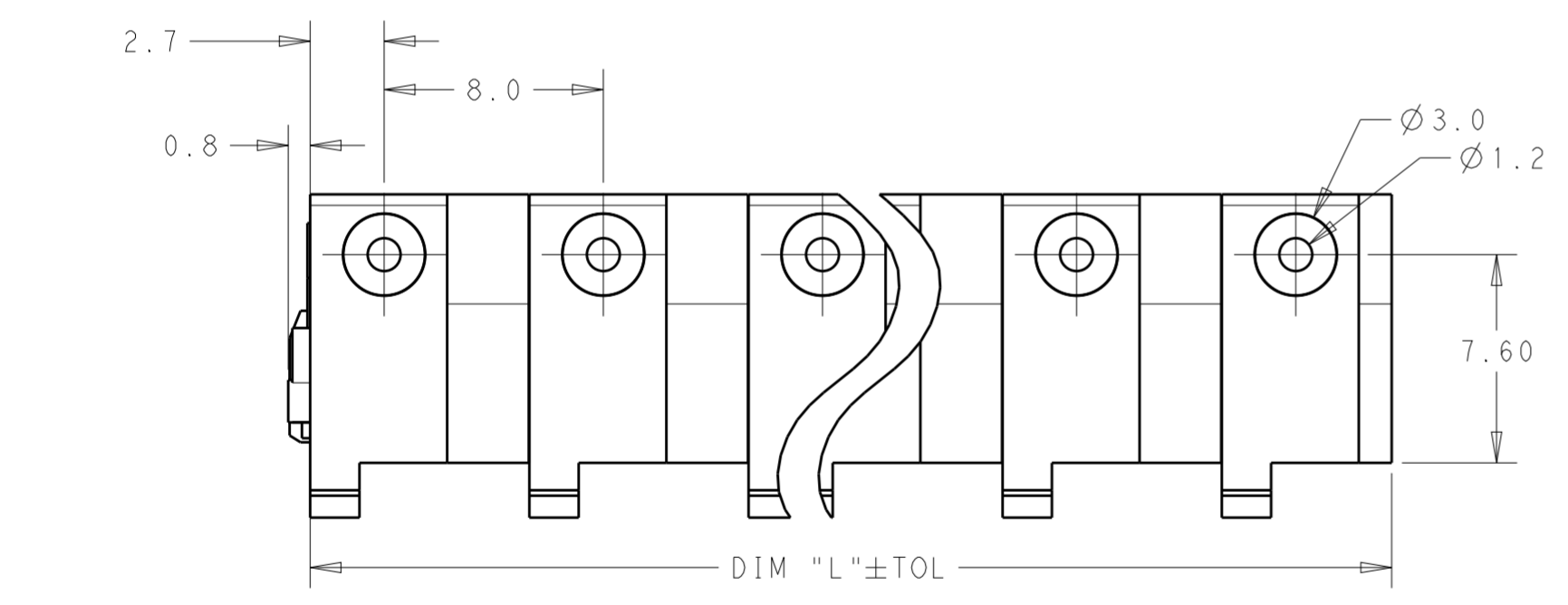
REVISIONS				
P	LTR	DESCRIPTION	DATE	APVD
4		PART UPDATE	07FEB2018	JS ML
5		ADD 2318582-2 TO PARTS LIST,CHANGE TITLE	19MAR2018	JS ML
A		ECR-18-011503	24JUL2018	GCM DD
A1		ECR-18-013416	17SEP2018	SR DD



1 MATERIALS AND FINISH:
 CONNECTOR HOUSING: GF PBT,COLOR: NATURAL
 END CAP: GF PBT,COLOR: NATURAL
 RELEASE LEVER: GF PBT,COLOR: GREY
 CONTACTS: COPPER ALLOY,FINISH; Sn OVER Ni

2 CLEARANCE BETWEEN MOUNTING PLATE AND RELEASE LEVER AT MAXIMUM TRAVEL AS SHOWN.

- 3. MATERIALS COMPLY WITH DIRECTIVE 2002/95/EC (ROHS).
- 4. THIS PRODUCT HAS NOT COMPLETED VALIDATION TESTING.
- 5. PACKAGED IN TRAYS.

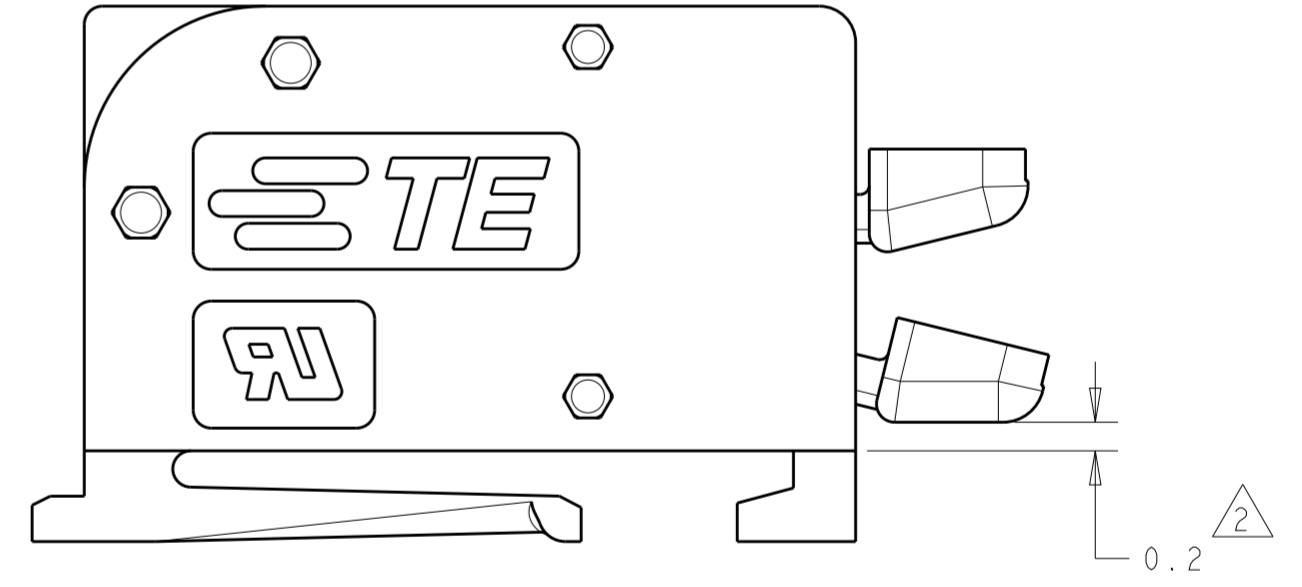
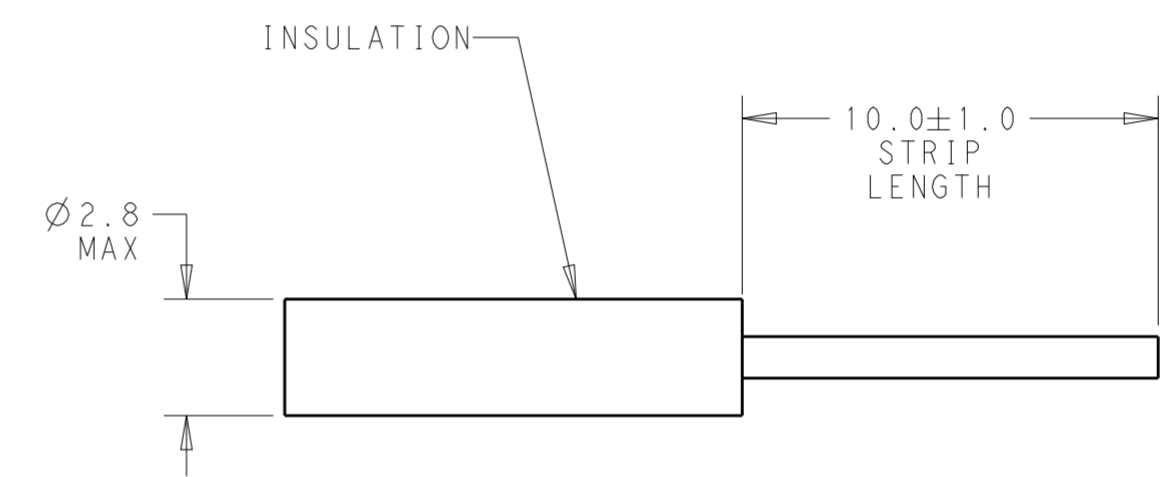
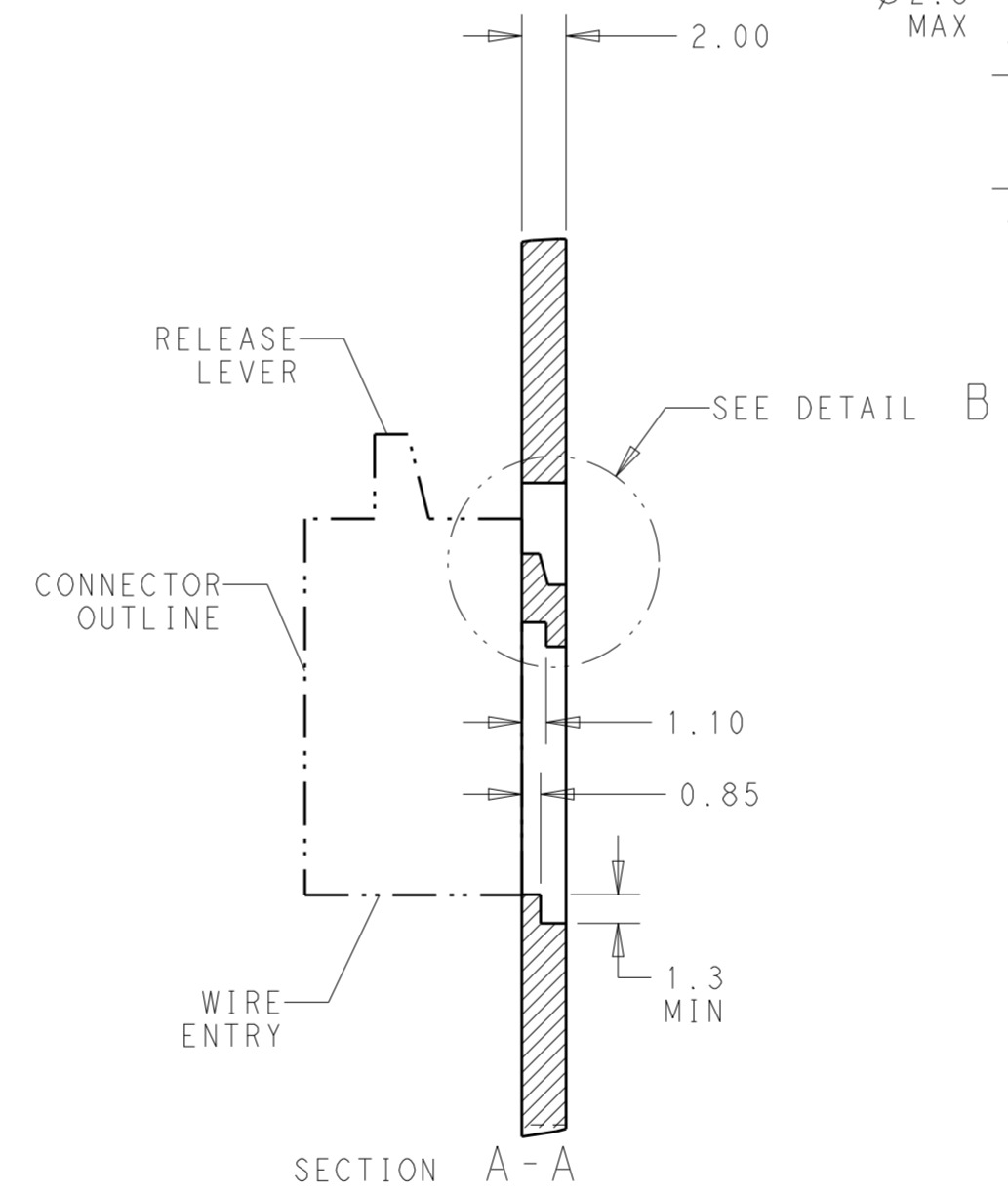
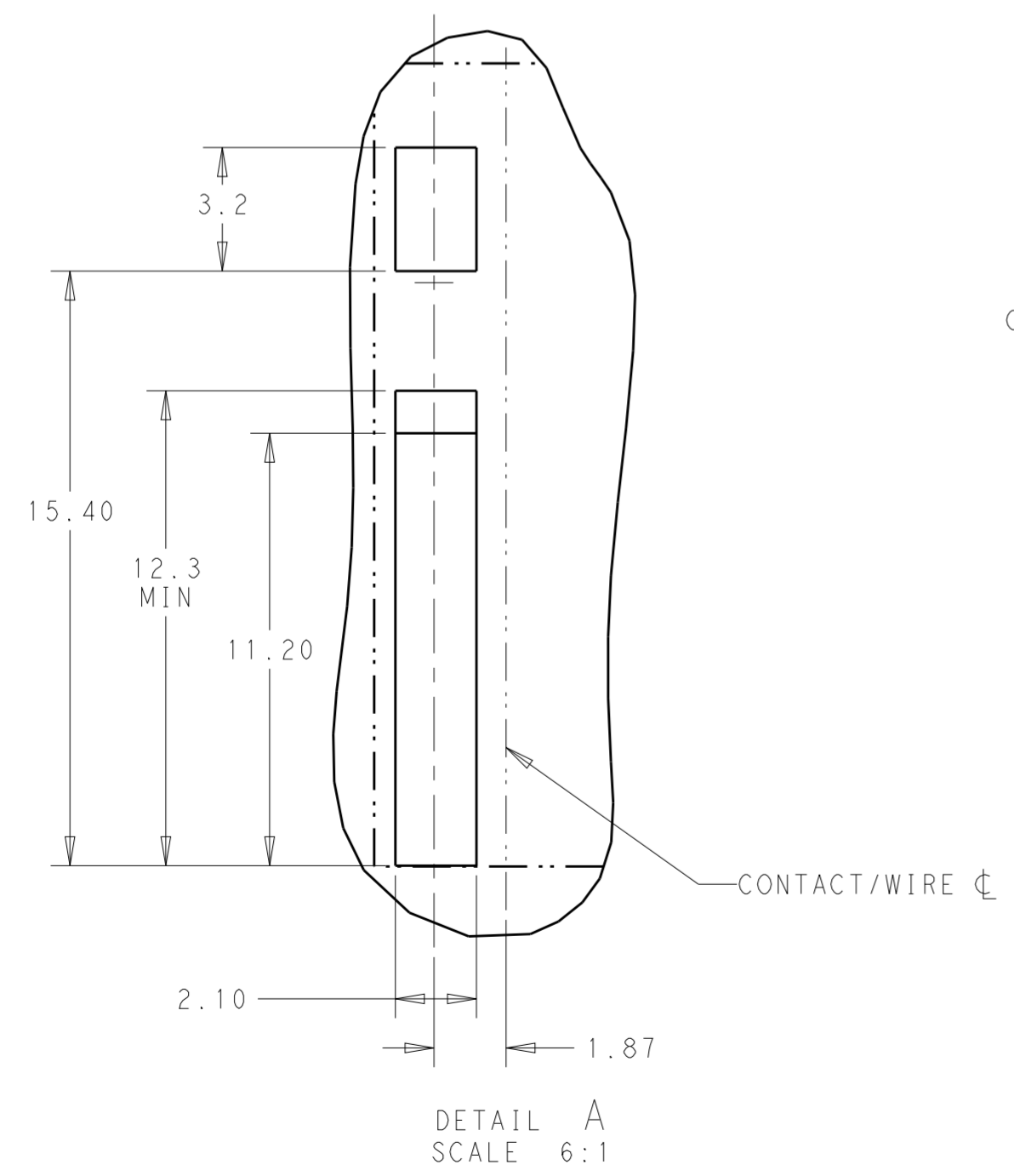
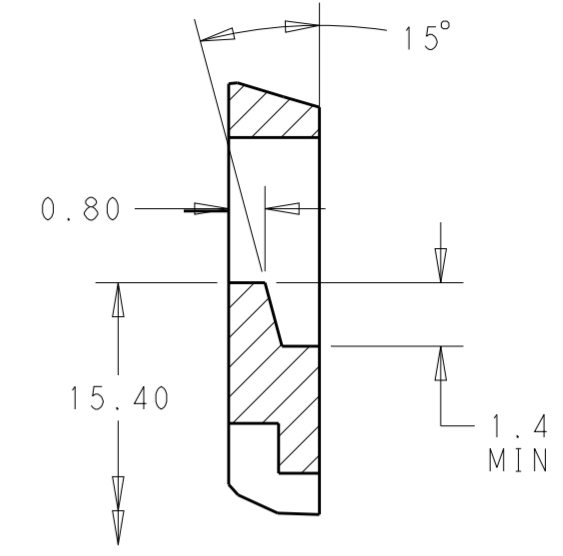
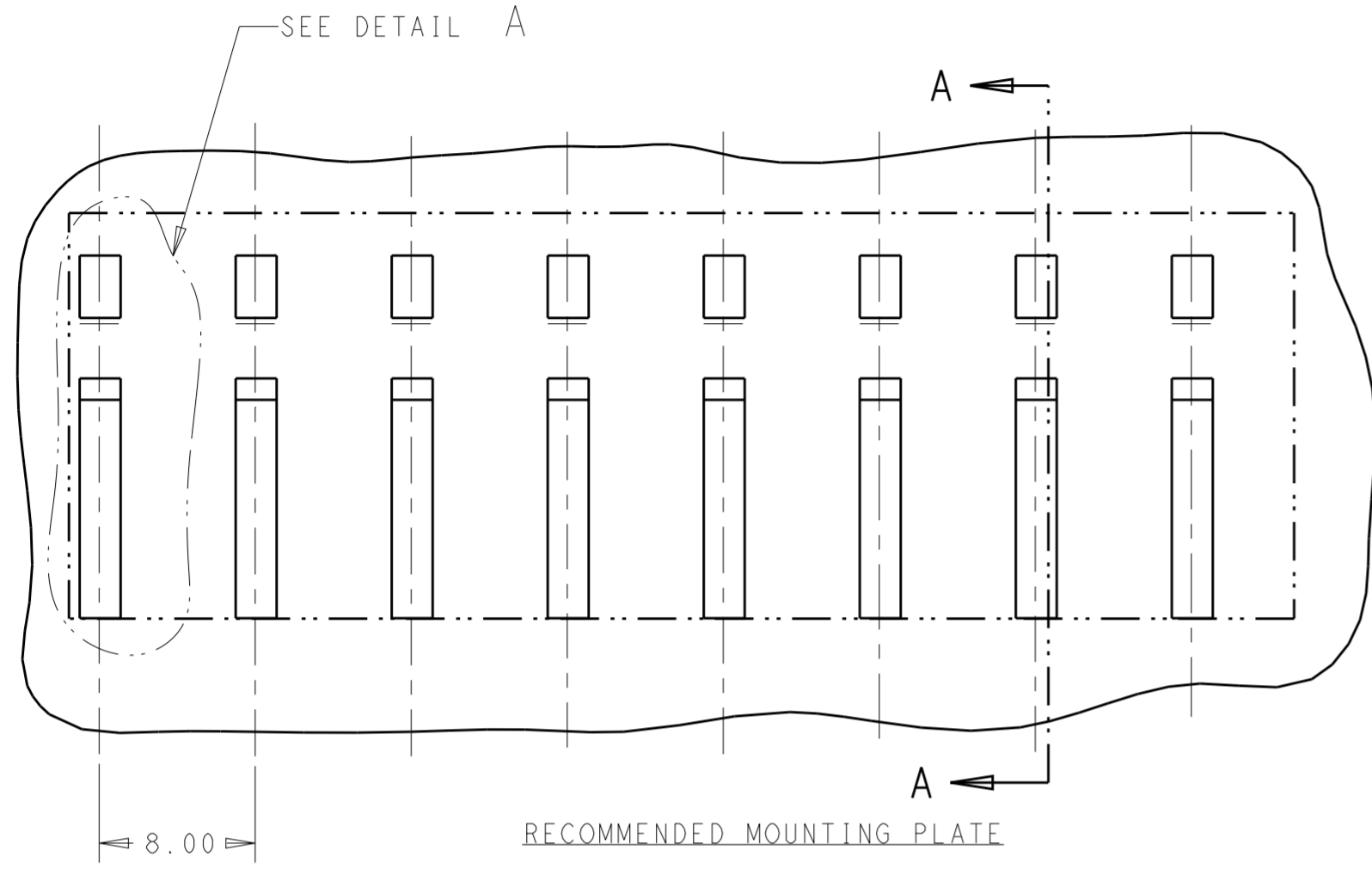


62.2	8	2318582-8
54.2	7	2318582-7
46.2	6	2318582-6
38.2	5	2318582-5
30.2	4	2318582-4
22.2	3	2318582-3
14.2	2	2318582-2
DIM "L"		CIRCUITS TE PART NUMBER

THIS DRAWING IS A CONTROLLED DOCUMENT.		DWN J. SHAFFER 19 JUL 2017	TE Connectivity															
DIMENSIONS: mm		CHK MAREK LUKSIC 19 JUL 2017																
TOLERANCES UNLESS OTHERWISE SPECIFIED:		APVD MAREK LUKSIC 19 JUL 2017	NAME BUCHANAN WireMate POKE-IN CONNECTOR, 8mm PITCH															
<table border="1"> <tr> <td>0 PLC</td> <td>±</td> </tr> <tr> <td>1 PLC</td> <td>±0.20</td> </tr> <tr> <td>2 PLC</td> <td>±0.10</td> </tr> <tr> <td>3 PLC</td> <td>±</td> </tr> <tr> <td>4 PLC</td> <td>±</td> </tr> <tr> <td>ANGLES</td> <td>±2°</td> </tr> <tr> <td>FINISH</td> <td>-</td> </tr> </table>		0 PLC	±	1 PLC	±0.20	2 PLC	±0.10	3 PLC	±	4 PLC	±	ANGLES	±2°	FINISH	-	PRODUCT SPEC -	SIZE A200779	
0 PLC	±																	
1 PLC	±0.20																	
2 PLC	±0.10																	
3 PLC	±																	
4 PLC	±																	
ANGLES	±2°																	
FINISH	-																	
MATERIAL -		APPLICATION SPEC -	CAGE CODE C-2318582															
-		WEIGHT -	DRAWING NO -															
-		CUSTOMER DRAWING	RESTRICTED TO -															
		SCALE 2:1	SHEET 1 OF 2															
			REV A1															

THIS DRAWING IS UNPUBLISHED. RELEASED FOR PUBLICATION
 © COPYRIGHT copyright.d8te- ALL RIGHTS RESERVED.

REVISIONS				
P	LTR	DESCRIPTION	DATE	APVD
-	-	SEE SHEET 1	-	-



THIS DRAWING IS A CONTROLLED DOCUMENT.		DWN J. SHAFFER 19 JUL 2017	TE Connectivity	
DIMENSIONS: mm		CHK MAREK LUKSIC 19 JUL 2017		
TOLERANCES UNLESS OTHERWISE SPECIFIED:		APVD MAREK LUKSIC 19 JUL 2017	NAME BUCHANAN WireMate POKE-IN CONNECTOR, 8mm PITCH	
0 PLC ±		PRODUCT SPEC	SIZE	
1 PLC ±0.20		APPLICATION SPEC	CAGE CODE	
2 PLC ±0.10		WEIGHT	DRAWING NO	
3 PLC ±		CUSTOMER DRAWING	A200779	
4 PLC ±		SCALE 2:1	SHEET 2 OF 2	
ANGLES ±2°		REV A1		
FINISH		RESTRICTED TO		

Mouser Electronics

Authorized Distributor

Click to View Pricing, Inventory, Delivery & Lifecycle Information:

[TE Connectivity:](#)

[2318582-4](#)