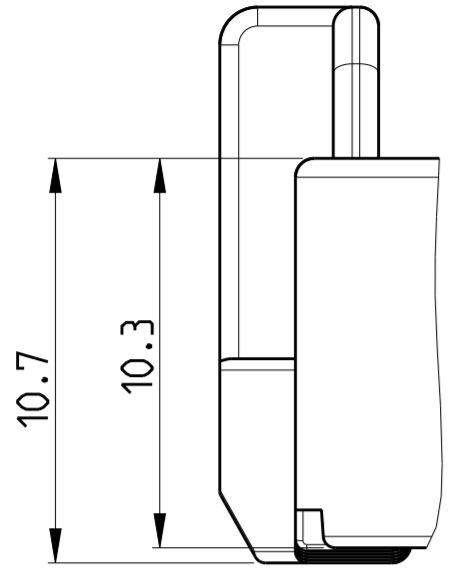
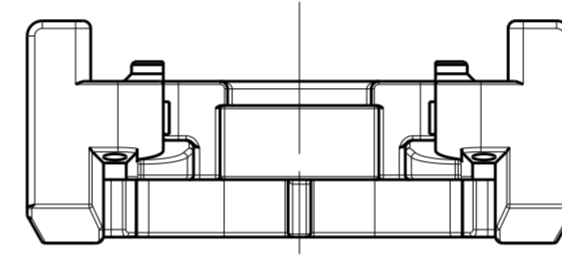
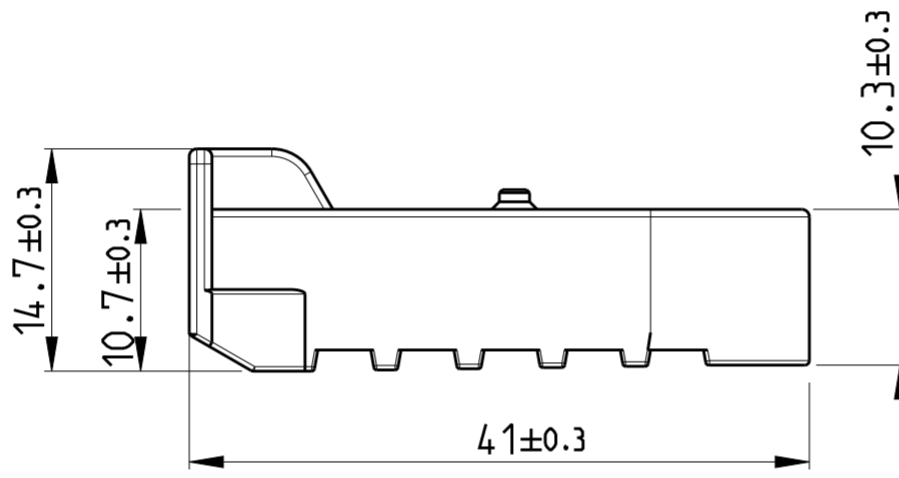
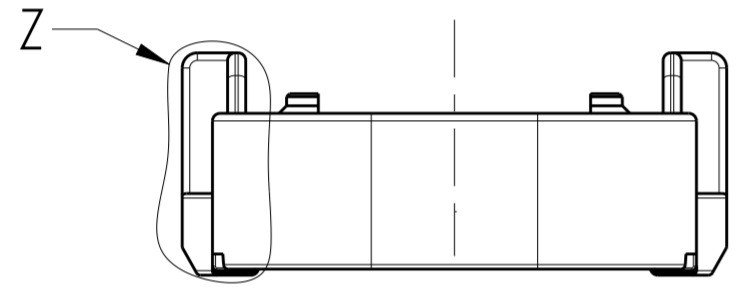
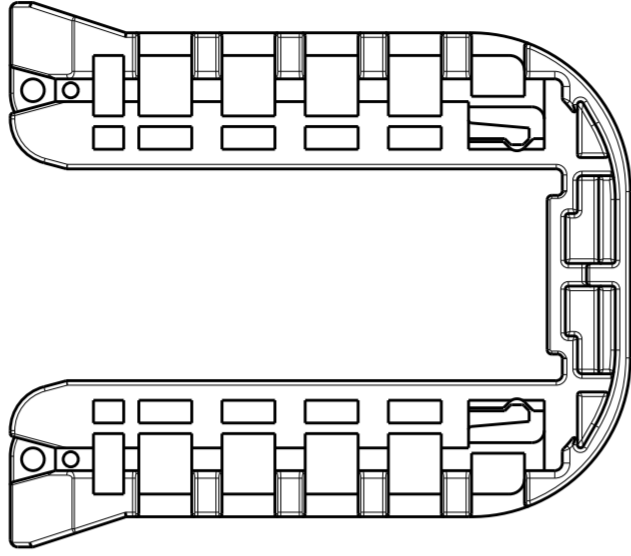


THIS DRAWING IS UNPUBLISHED
 RELEASED FOR PUBLICATION 2017
 © COPYRIGHT 2017 BY - ALL RIGHTS RESERVED.

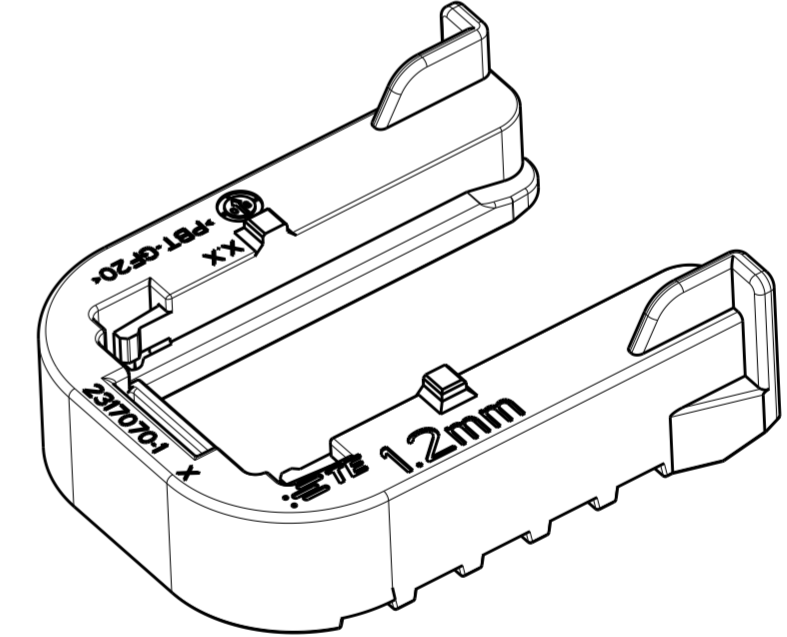
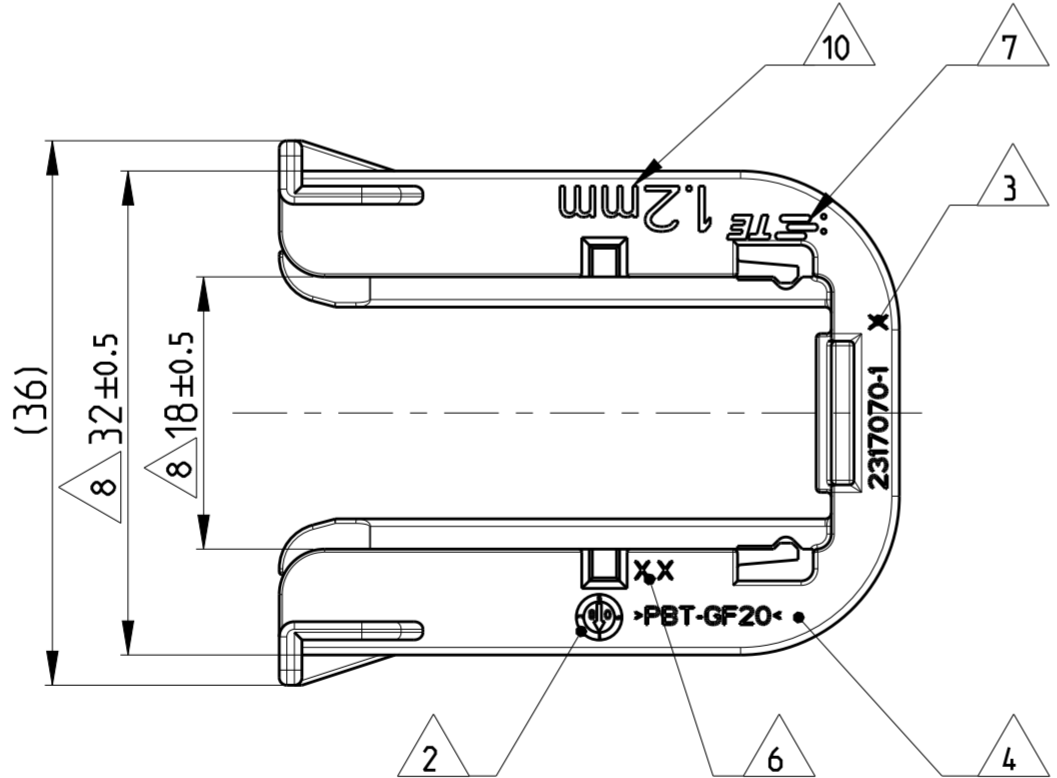
REVISIONS					
P	LTR	DESCRIPTION	DATE	DWN	APVD
	A	INITIAL RELEASE	27FEB2017	C.W	I.Y



Z
5:1



1. MATERIAL : PBT-GF20 OR EQUIVALENC RESIN.
2. PRODUCT DATE
3. LETTER-INSERTFOR THE REVISION STATUS OF THE MOULD
4. MATERIAL MARKING ACCORDING TO VDA260
5. BULK PACKAGING IN CORRUGATED BOX
6. MOULD CAVITY MARKING
7. TE LOGO
8. WARGAGE PERMITTED UP TO -1.5MM FROM NOMINAL SIZE
9. SUITALBE FOR TAB HOUISNG WITH FLANGE GROUP D, SEE PRODUCT GROUP DRAWING 1563709.
10. MARKING FOR SUITABLE SHEET METEAL THICKNESS(NOMINAL SIZE)



2317070-1	A	PBT-GF20/V-0	Orange	6.3	1
TE ORDER-NO.	REV.	MATERIAL	COLOUR	WEIGHT (g)	ITEM

THIS DRAWING IS A CONTROLLED DOCUMENT.		DWN C.WAN 27FEB2017	TE Connectivity		
DIMENSIONS: mm		CHK S.WANG 27FEB2017			
TOLERANCES UNLESS OTHERWISE SPECIFIED:		APVD I.YIN 27FEB2017	NAME SLIDE, TAB HOUSING FOR 1.2MM SHEETMETAL HDSCS - GROUP D		
0 PLC ± 1 PLC ± 2 PLC ± 3 PLC ± 4 PLC ± ANGLES ±2° FINISH		ACE. TO DIN 16901-140 ISO 8015	PRODUCT SPEC 108-94020 APPLICATION SPEC 114-18756 WEIGHT SEE TABLE A2		
MATERIAL SEE TABLE		SIZE A2 CAGE CODE - DRAWING NO. C-2317070	RESTRICTED TO -		
CUSTOMER DRAWING		SCALE 2:1	SHEET 1 OF 1		REV A

Mouser Electronics

Authorized Distributor

Click to View Pricing, Inventory, Delivery & Lifecycle Information:

[TE Connectivity:](#)

[2317070-1](#)