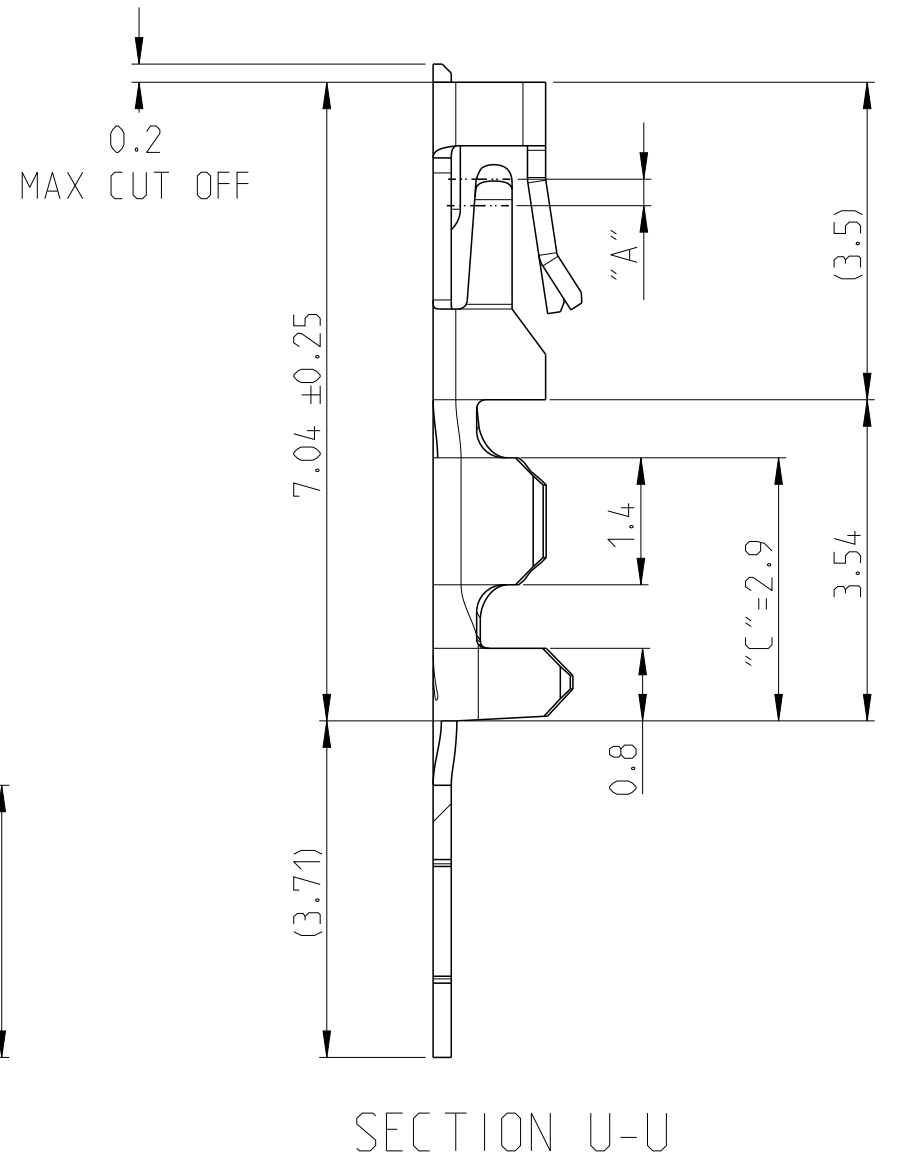
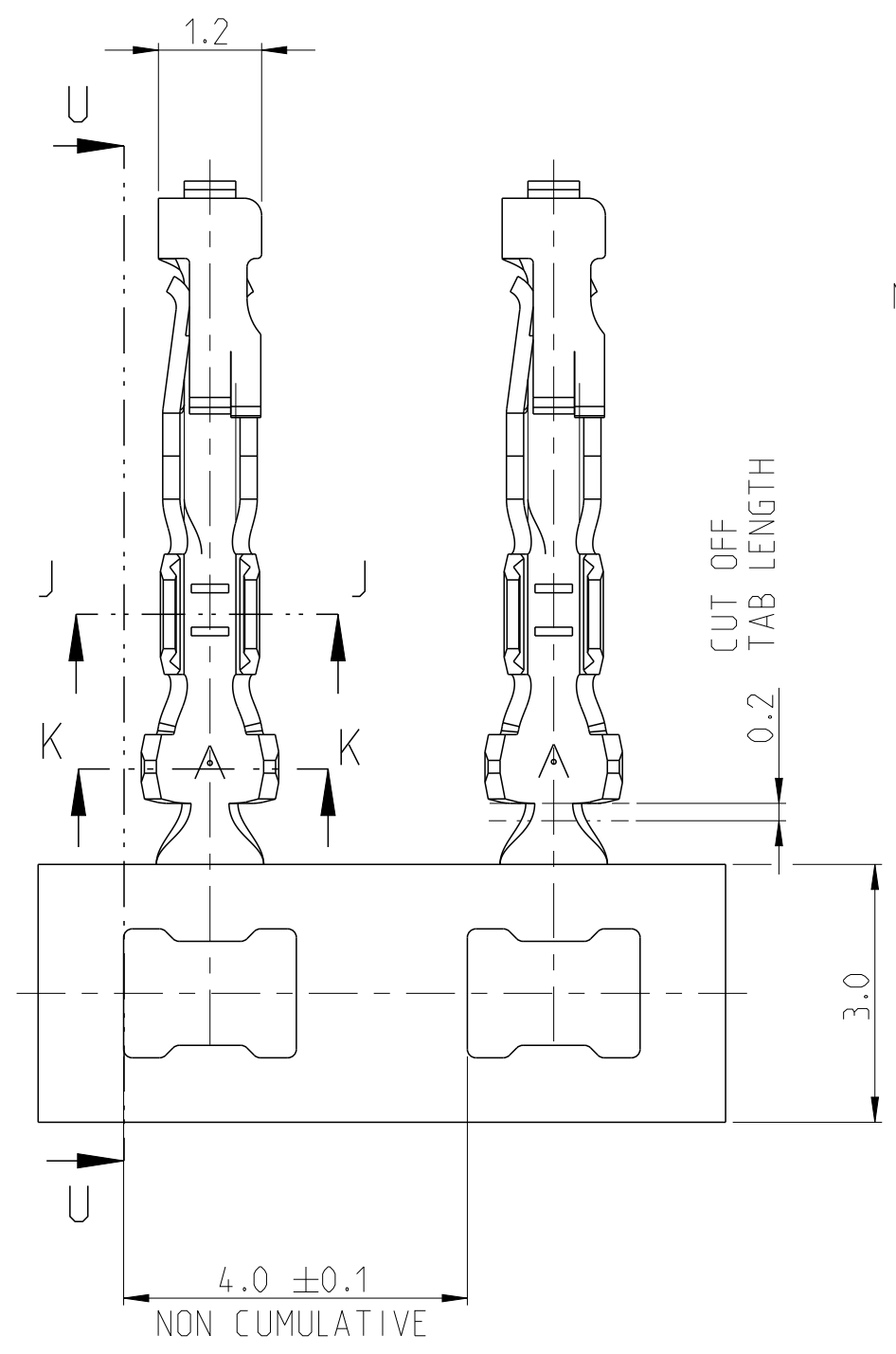
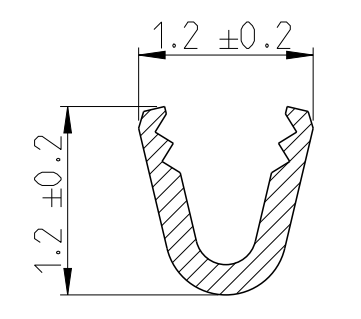


THIS DRAWING IS UNPUBLISHED. RELEASED FOR PUBLICATION
 © COPYRIGHT 2017 TE Connectivity ALL RIGHTS RESERVED.

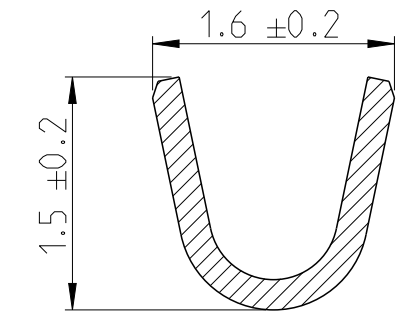
REVISIONS					
P	LTR	DESCRIPTION	DATE	DWN	APVD
	A	RELEASE TO PRODUCTION	18 JUN 2020	AY	PS



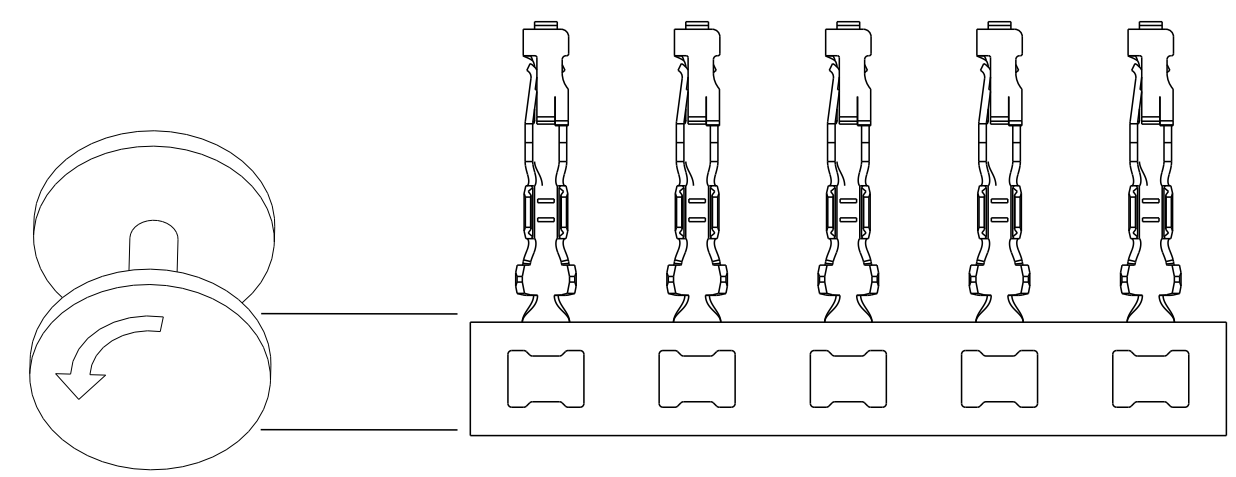
- NOTES:
- 1 MATERIAL: PHOSPHOR BRONZE, 0.2mm THICK
 - 2 FINISH: 1.27-2.54 μm TIN ALL OVER
UNDERPLATE 1.27 μm MIN NICKEL ALL OVER
 - 3 CONTACT AREA "A": MIN 0.1 μm THK GOLD
CRIMP AREA "C" : 1.27 - 2.54 μm THK TIN
UNDERPLATE 1.27 μm MIN NICKEL ALL OVER
 - 4 CONTACT AREA "A" : MIN 0.38 μm THK GOLD
CRIMP AREA "C" : 1.27 - 2.54 μm THK TIN
UNDERPLATE 1.27 μm MIN NICKEL ALL OVER
 - 5 CONTACT AREA "A" : MIN 0.76 μm THK GOLD
CRIMP AREA "C" : 1.27 - 2.54 μm THK TIN
UNDERPLATE 1.27 μm MIN NICKEL ALL OVER
6. APPLICABLE HOUSINGS :
 SINGLE ROW : 2316102
 DUAL ROW : 2316108, 2316109



SECTION J-J
20:1



SECTION K-K
20:1



WIRE RANGE: 0.05-0.08 mm² (30-28 AWG)
 INSULATION RANGE: Ø0.5-Ø1.0mm

5	-	5-2316114-6	LOOSE PIECE - HANDTOOL
5	30,000	5-2316114-5	FOR OCEAN APPLICATOR
4	-	4-2316114-5	LOOSE PIECE - HANDTOOL
4	30,000	4-2316114-4	FOR OCEAN APPLICATOR
3	-	3-2316114-4	LOOSE PIECE - HANDTOOL
3	30,000	3-2316114-3	FOR OCEAN APPLICATOR
2	-	2-2316114-3	LOOSE PIECE - HANDTOOL
2	30,000	2-2316114-2	FOR OCEAN APPLICATOR
FINISH	QTY PER REEL	PART NUMBER	TOOLING

THIS DRAWING IS A CONTROLLED DOCUMENT.

DWN SOURAV DAS 29OCT2017	 TE Connectivity AMPMODU 2mm RECEPTACLE, wTB CRIMP CONTACT, AWG 30-28
CHK RAKSHITH R NAYAK 29OCT2017	
APVD PRASHANTH 08DEC2017	
PRODUCT SPEC 108-64040-1	
MATERIAL SEE NOTE	NAME AMPMODU 2mm RECEPTACLE, wTB CRIMP CONTACT, AWG 30-28
TOLERANCES UNLESS OTHERWISE SPECIFIED:	SIZE A2
0 PLC ±	CAGE CODE 00779
1 PLC ±0.15	DRAWING NO C-2316114
2 PLC ±0.10	RESTRICTED TO -
3 PLC ±	SCALE 5:1
4 PLC ±	SHEET 1 OF 1
ANGLES ±2°	REV A
FINISH -	CUSTOMER DRAWING

Mouser Electronics

Authorized Distributor

Click to View Pricing, Inventory, Delivery & Lifecycle Information:

[TE Connectivity:](#)

[2-2316114-2](#)