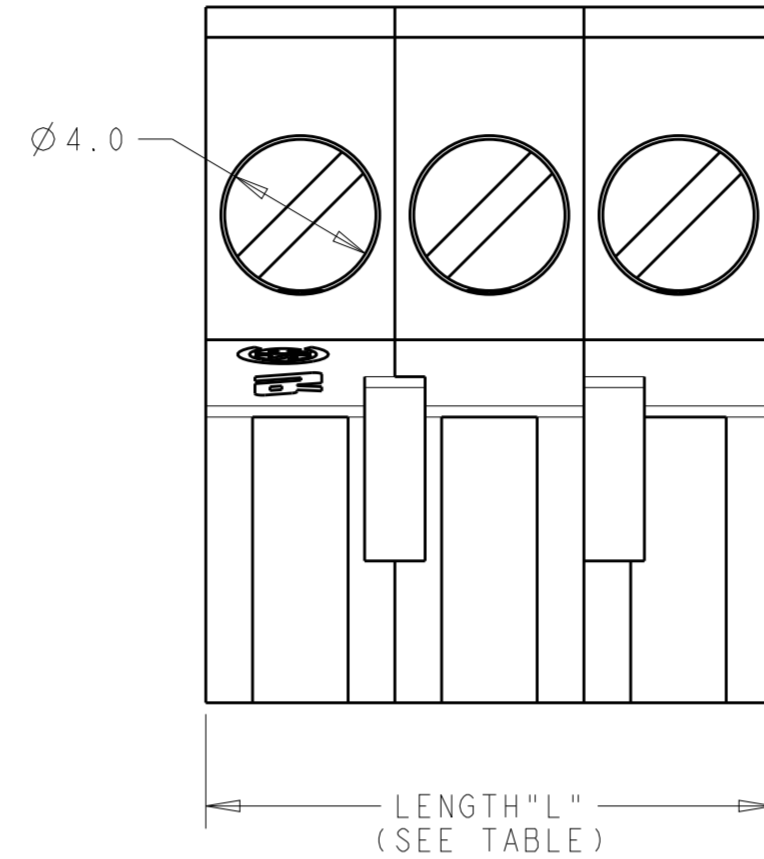
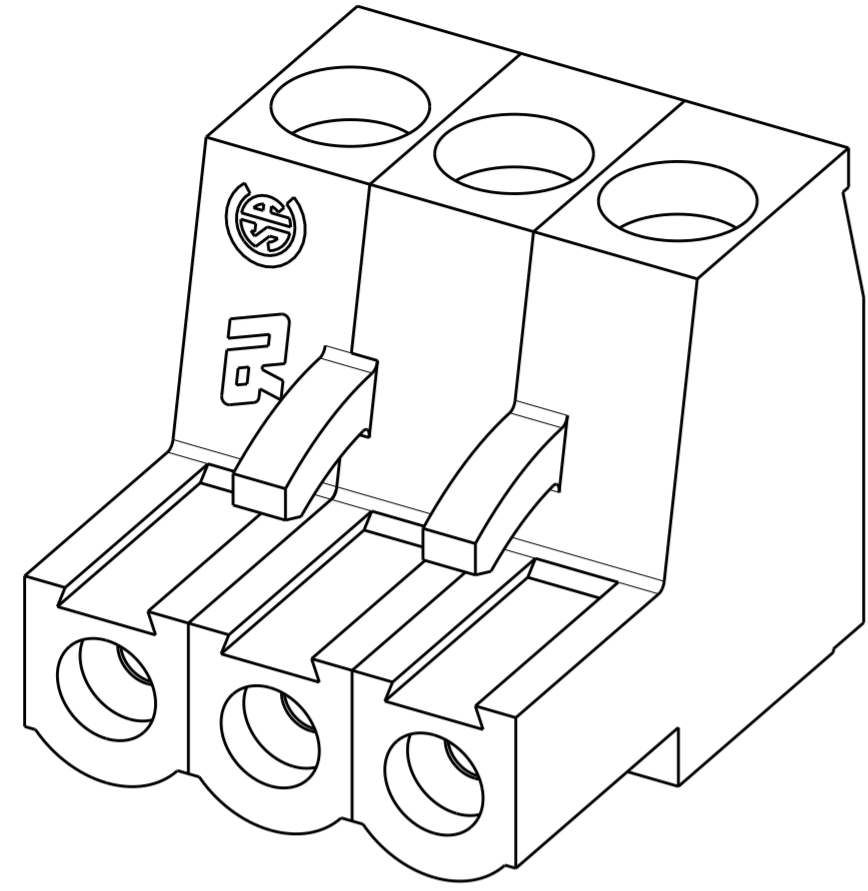
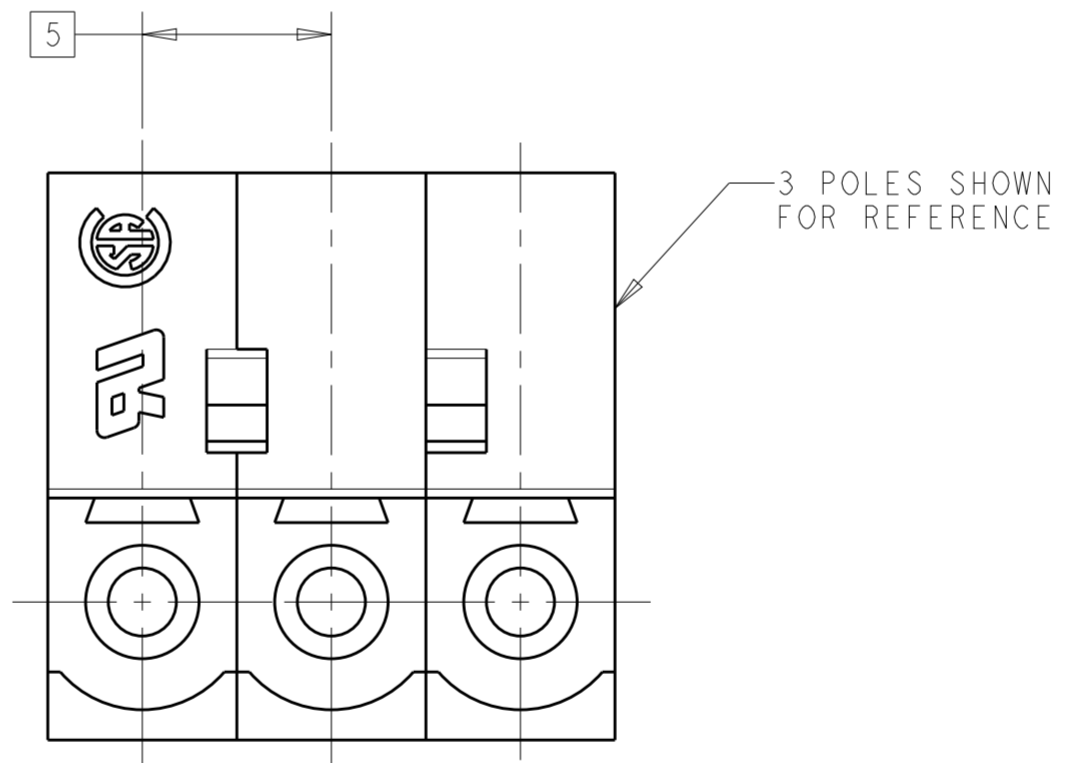
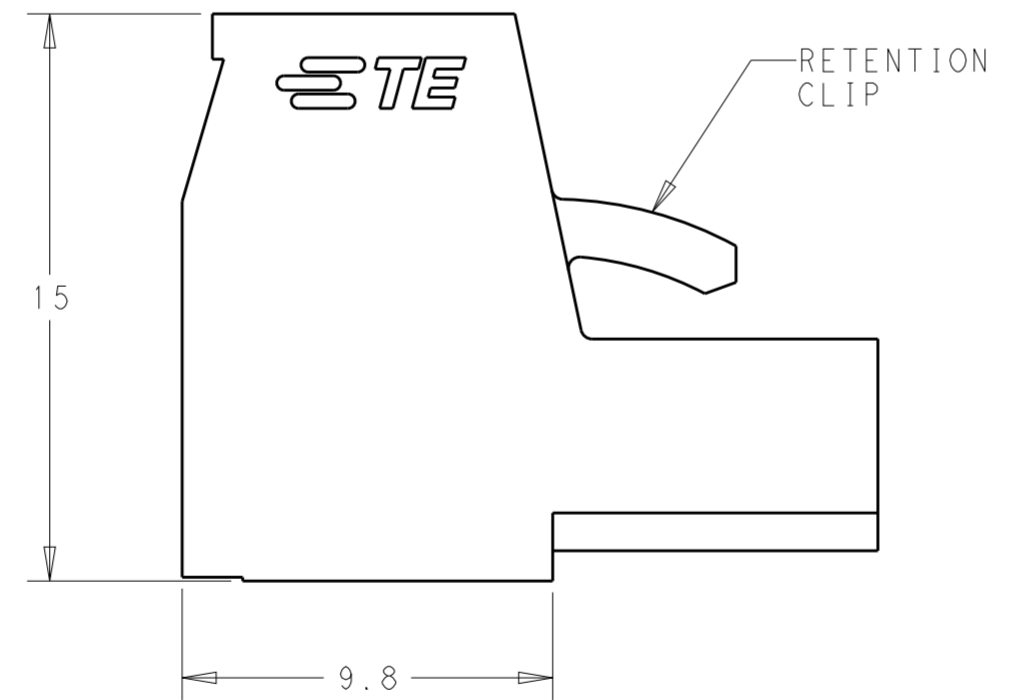
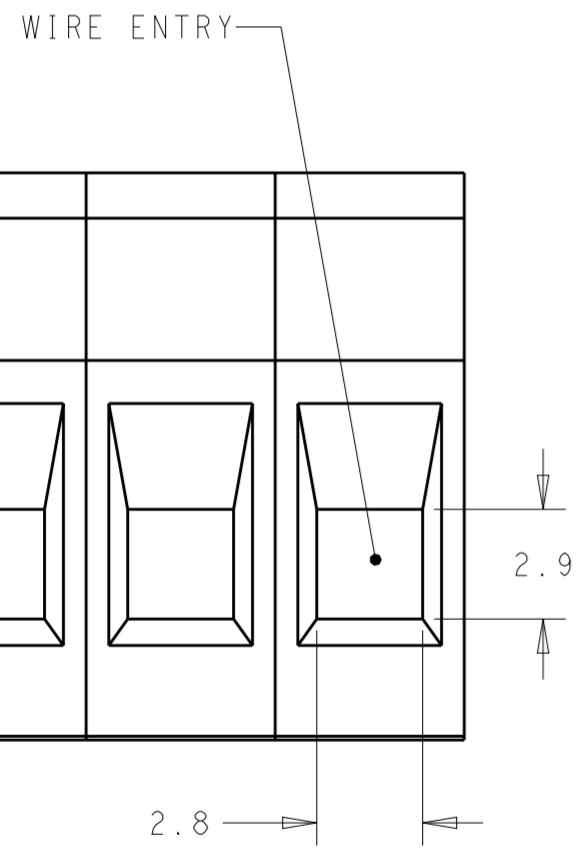


THIS DRAWING IS UNPUBLISHED. RELEASED FOR PUBLICATION
 © COPYRIGHT copyright.d8te- ALL RIGHTS RESERVED.

| REVISIONS | | | | |
|-----------|-----|---------------------------|-----------|-------|
| P | LTR | DESCRIPTION | DATE | APVD |
| | A | NEW DRAWING | 12SEP2016 | RS ML |
| | A1 | REVISED PER ECR-16-016988 | 03JAN2017 | RK PO |



1. HOUSING MATERIAL: THERMOPLASTIC, FLAME-RETARDANT PER UL 94 V-0
COLOR = BLACK
2. CONTACT MATERIAL: COPPER ALLOY, NICKEL PLATE
3. WIRE SIZE: 26-12 AWG
4. WIRE STRIP LENGTH = 7.0MM
5. SCREW TIGHTENING TORQUE: 0.5 N-m
6. PRODUCT CERTIFICATIONS:
UL, CSA: 300V (SEE TABLE FOR RATED CURRENT)
7. HAZARDOUS SUBSTANCE COMPLIANCE: RoHS, REACH
8. MATES WITH 2305908



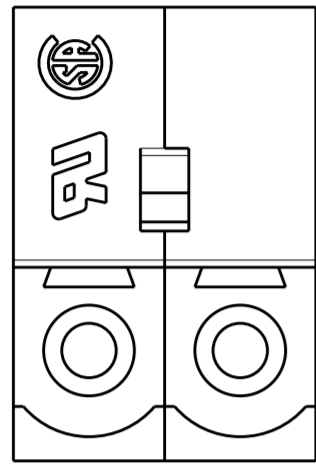
| RATED CURRENT | LENGTH "L" (mm) | NO. OF POLES | TE PART NO. |
|------------------------------------|-----------------|--------------|-------------|
| 10A UL GROUP D CSA GROUP D,E | 60.0 | 12 | 1-2305909-2 |
| | 55.0 | 11 | 1-2305909-1 |
| | 50.0 | 10 | 1-2305909-0 |
| 15A UL GROUP B CSA GROUP B | 45.0 | 9 | 2305909-9 |
| | 40.0 | 8 | 2305909-8 |
| | 35.0 | 7 | 2305909-7 |
| | 30.0 | 6 | 2305909-6 |
| | 25.0 | 5 | 2305909-5 |
| | 20.0 | 4 | 2305909-4 |
| | 15.0 | 3 | 2305909-3 |
| | 10.0 | 2 | 2305909-2 |

THIS DRAWING IS A CONTROLLED DOCUMENT.

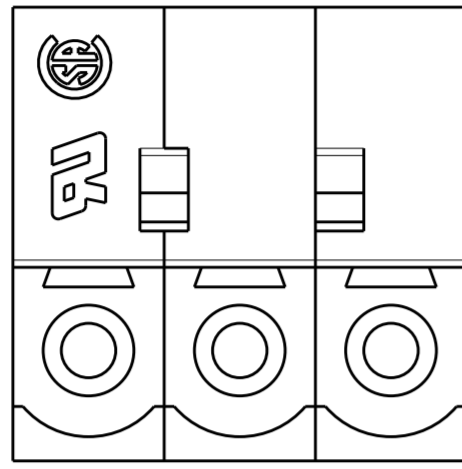
| | |
|--|--|
| DWN RAVLS 12SEP2016 | TE Connectivity |
| CHK M.LUKSIC 12SEP2016 | |
| APVD M.LUKSIC 12SEP2016 | |
| PRODUCT SPEC | |
| MATERIAL SEE NOTES | NAME TERMINAL BLOCK PLUG, PARALLEL WIRE ENTRY, 5.0MM PITCH |
| TOLERANCES UNLESS OTHERWISE SPECIFIED: | SIZE A2 |
| 0 PLC ± | CAGE CODE |
| 1 PLC ±0.2 | DRAWING NO G-2305909 |
| 2 PLC ±0.13 | RESTRICTED TO |
| 3 PLC ± | SCALE 5:1 |
| 4 PLC ± | SHEET 1 OF 2 |
| ANGLES ± | REV A1 |
| FINISH - | CUSTOMER DRAWING |

THIS DRAWING IS UNPUBLISHED. RELEASED FOR PUBLICATION
 © COPYRIGHT copyright.d8Te- ALL RIGHTS RESERVED.

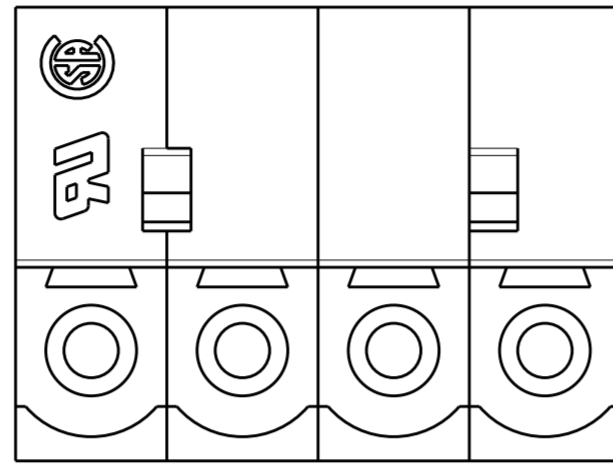
| REVISIONS | | | | |
|-----------|-----|-------------|------|------|
| P | LTR | DESCRIPTION | DATE | APVD |
| - | | SEE SHEET 1 | - | - |
| | | | | |
| | | | | |



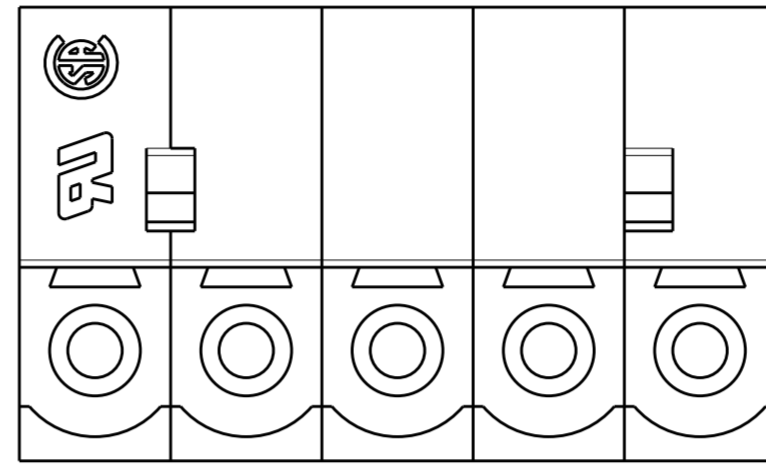
2 POLES: 2305909-2



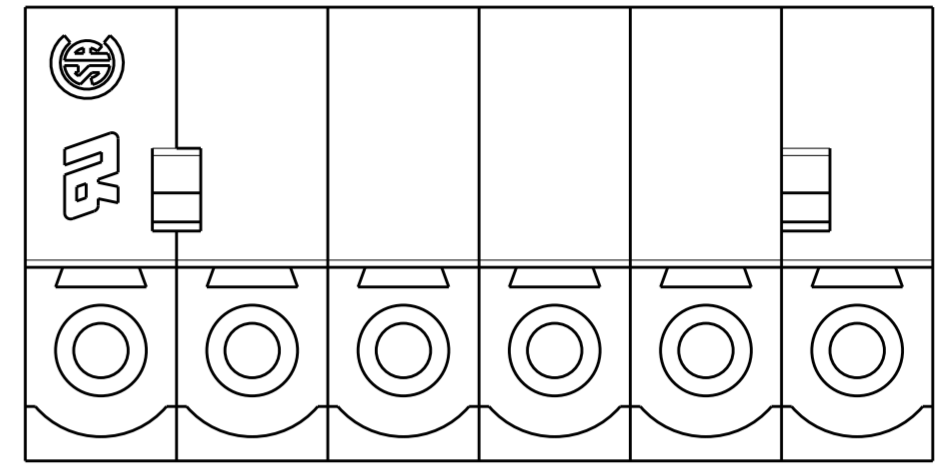
3 POLES: 2305909-3



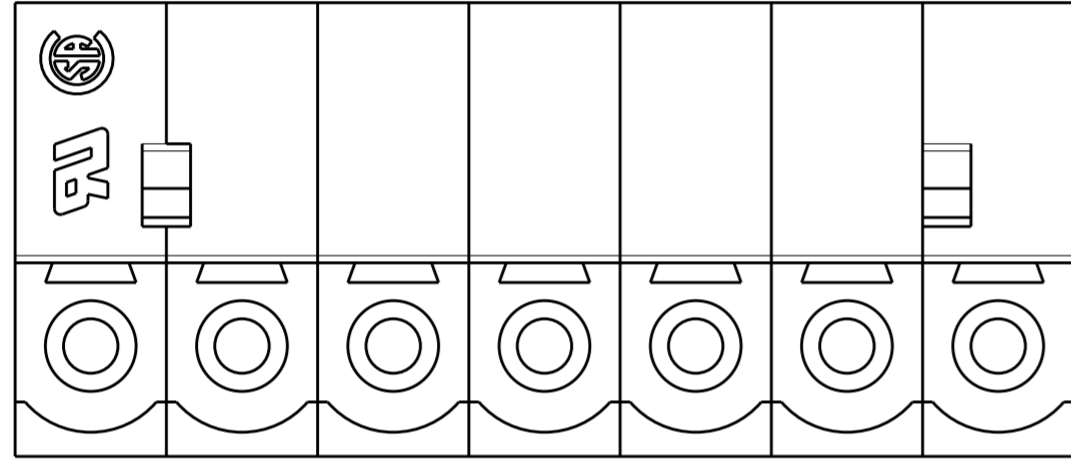
4 POLES: 2305909-4



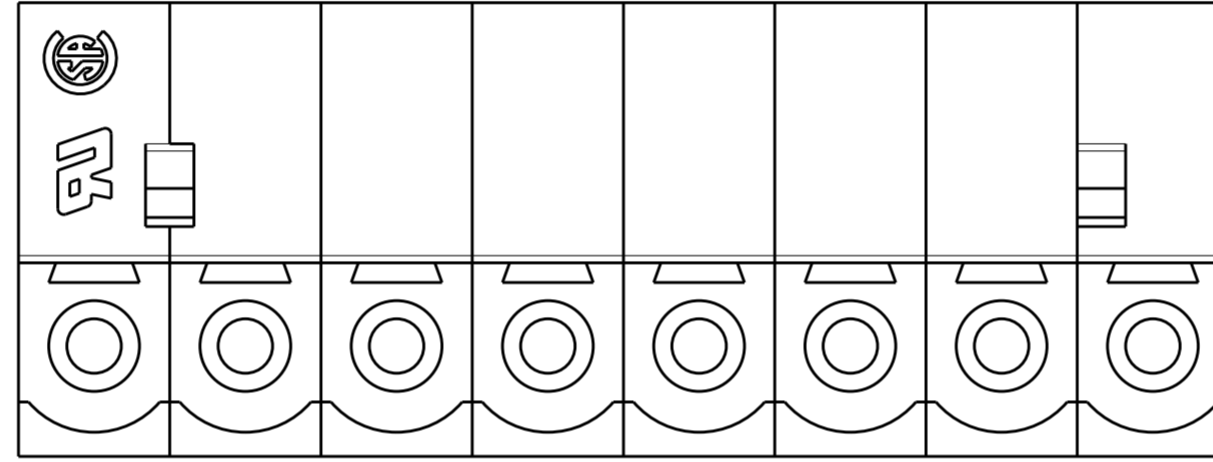
5 POLES: 2305909-5



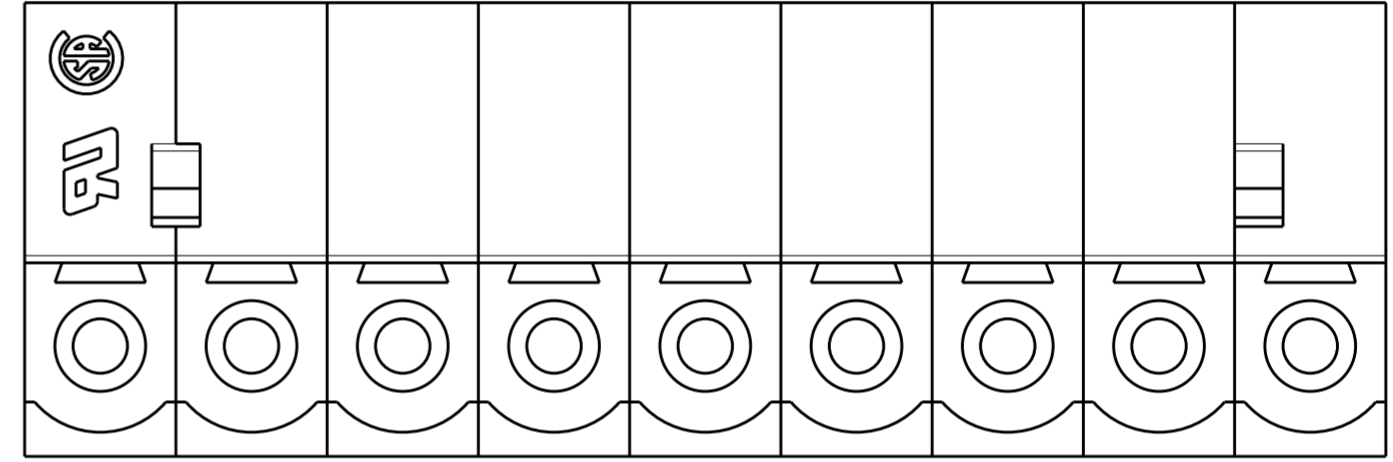
6 POLES: 2305909-6



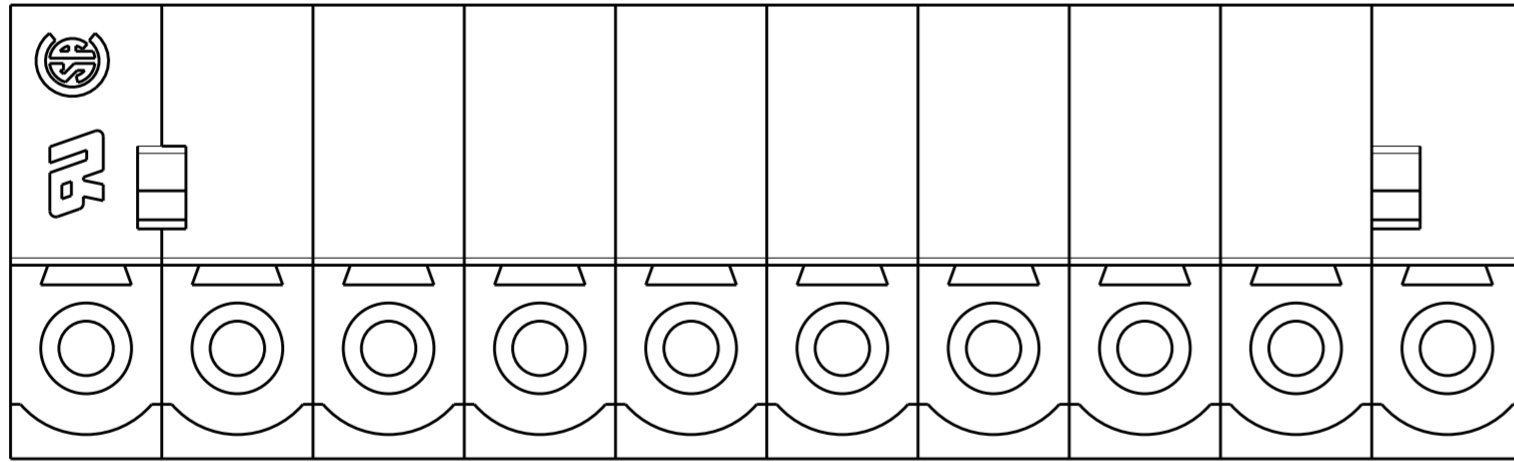
7 POLES: 2305909-7



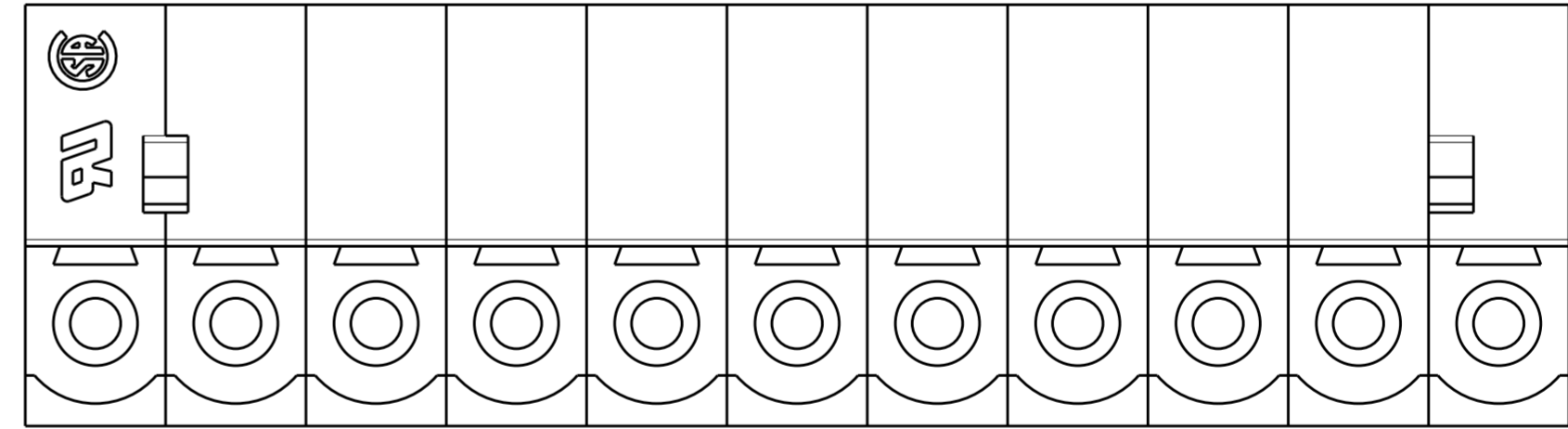
8 POLES: 2305909-8



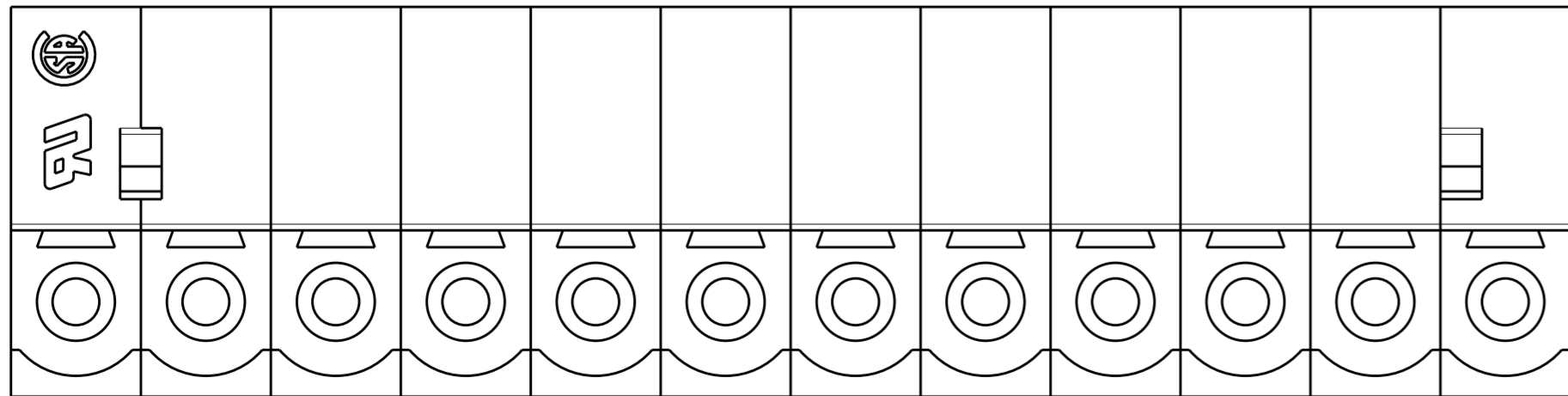
9 POLES: 2305909-9




10 POLES: 1-2305909-0



11 POLES: 1-2305909-1



12 POLES: 1-2305909-2

| | | | | |
|--|--|-------------------------------|---|-----------------|
| THIS DRAWING IS A CONTROLLED DOCUMENT. | | DWN RAVLS 12SEP2016 |  TE Connectivity | |
| DIMENSIONS: mm | | CHK M.LUKSIC 12SEP2016 | | |
| TOLERANCES UNLESS OTHERWISE SPECIFIED: | | APVD M.LUKSIC 12SEP2016 | NAME TERMINAL BLOCK PLUG, PARALLEL WIRE ENTRY, 5.0MM PITCH | |
| 0 PLC ± 1 PLC ±0.2 2 PLC ±0.13 3 PLC ± 4 PLC ± ANGLES ± FINISH - | | PRODUCT SPEC - | RESTRICTED TO - | |
| MATERIAL - | | APPLICATION SPEC - | SIZE A2 | CAGE CODE - |
| | | WEIGHT - | DRAWING NO G-2305909 | |
| | | CUSTOMER DRAWING | SCALE 5:1 | SHEET 2 OF 2 |
| | | | REV A1 | |

Mouser Electronics

Authorized Distributor

Click to View Pricing, Inventory, Delivery & Lifecycle Information:

[TE Connectivity:](#)

[1-2305909-0](#)