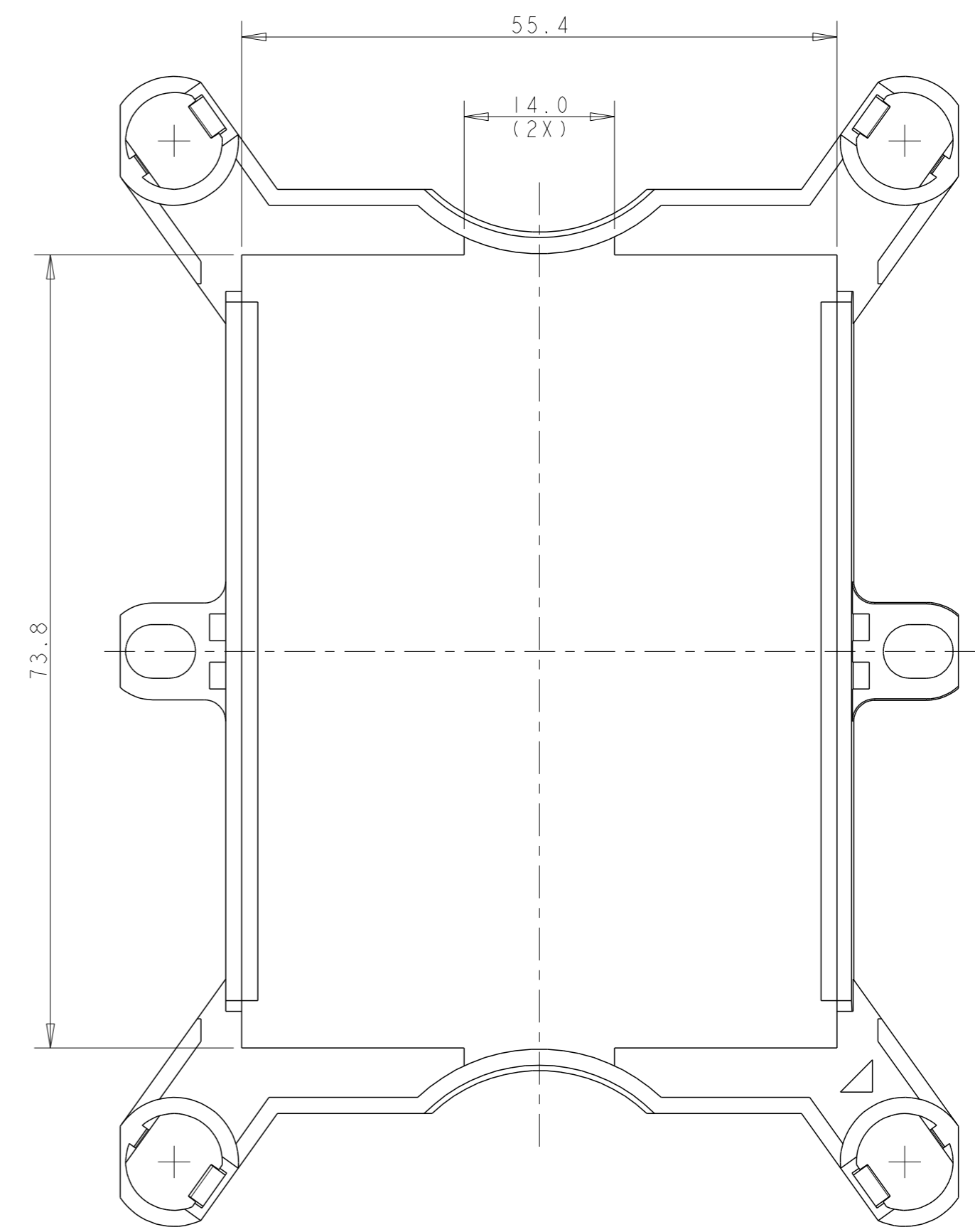
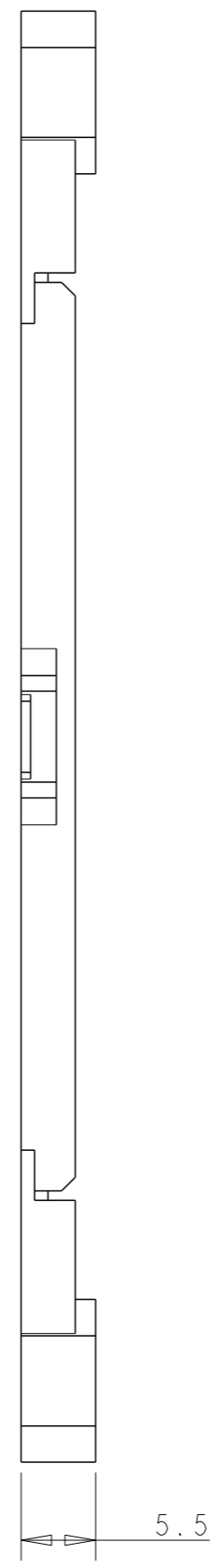
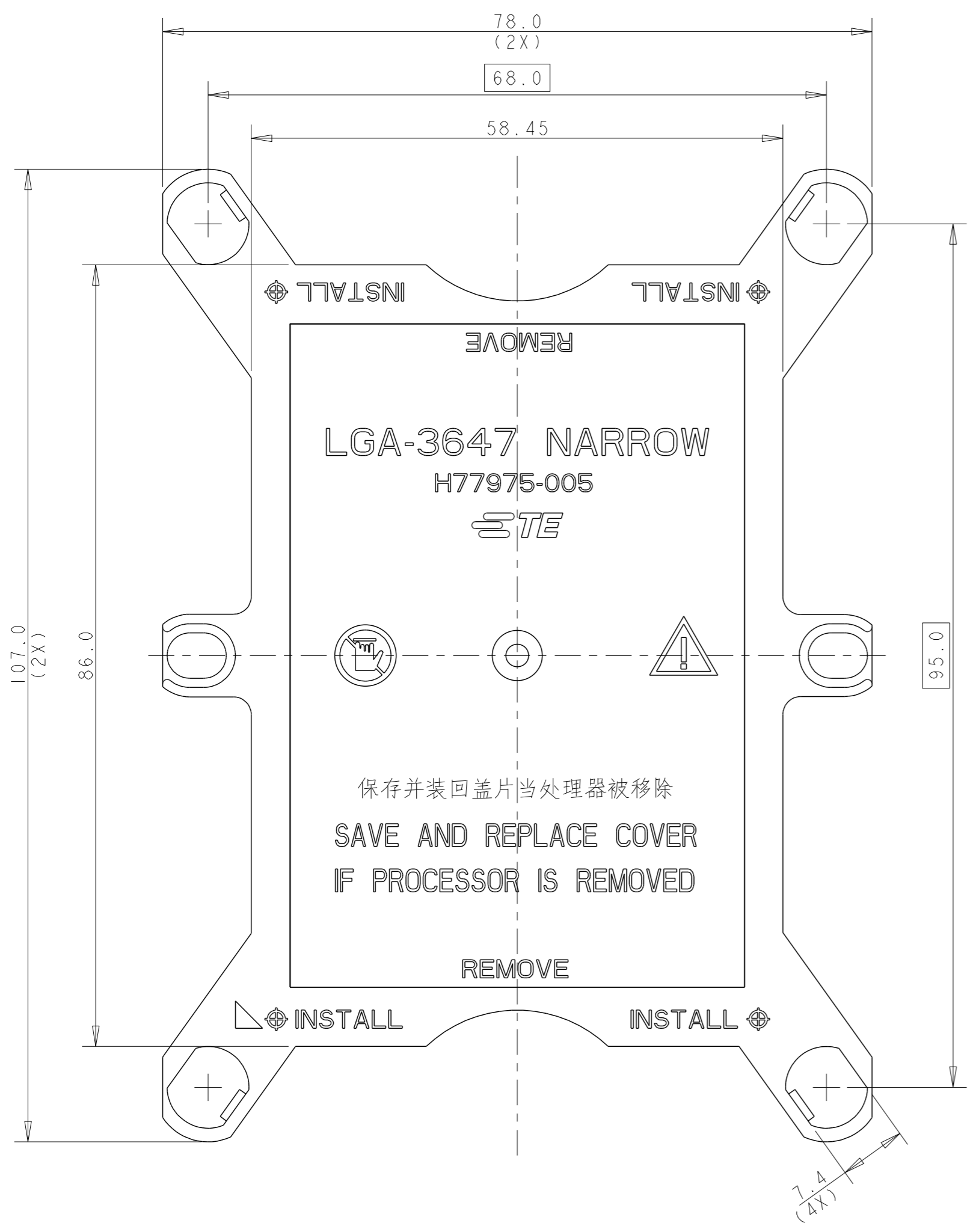


THIS DRAWING IS UNPUBLISHED. RELEASED FOR PUBLICATION  
 © COPYRIGHT - BY - ALL RIGHTS RESERVED.

REVISIONS				
P	LTR	DESCRIPTION	DATE	DWN APVD
	A	RELEASED	27NOV16	J.W C.W



NOTE:  
 1. MATERIAL:  
 -TYPE: PC-ABS  
 -COLOR: BLACK  
 -UL94V-0  
 2. THIS PRODUCT IS APPLICABLE FOR LGA3647 BOLSTER.

P/N: 2305234-1 AS SHOW

THIS DRAWING IS A CONTROLLED DOCUMENT.		DWN: JEFF WANG 12-OCT-16	TE Connectivity	
DIMENSIONS: mm		CHK: SIMON LI 12-OCT-16		
TOLERANCES UNLESS OTHERWISE SPECIFIED:		APVD: COREI WANG 12-OCT-16	NAME: LGA3647 NRW DUST COVER	
0 PLC ±0.3 1 PLC ±0.3 2 PLC ±0.3 3 PLC ± 4 PLC ± ANGLES ±3 FINISH -		PRODUCT SPEC: -	SIZE: A2	CAGE CODE: -
MATERIAL: -		APPLICATION SPEC: -	DRAWING NO: C-2305234	RESTRICTED TO: -
		WEIGHT: -	SCALE: 2:1	SHEET 1 OF 1 REV A
		CUSTOMER DRAWING		

# Mouser Electronics

Authorized Distributor

Click to View Pricing, Inventory, Delivery & Lifecycle Information:

[TE Connectivity:](#)

[2305234-1](#)