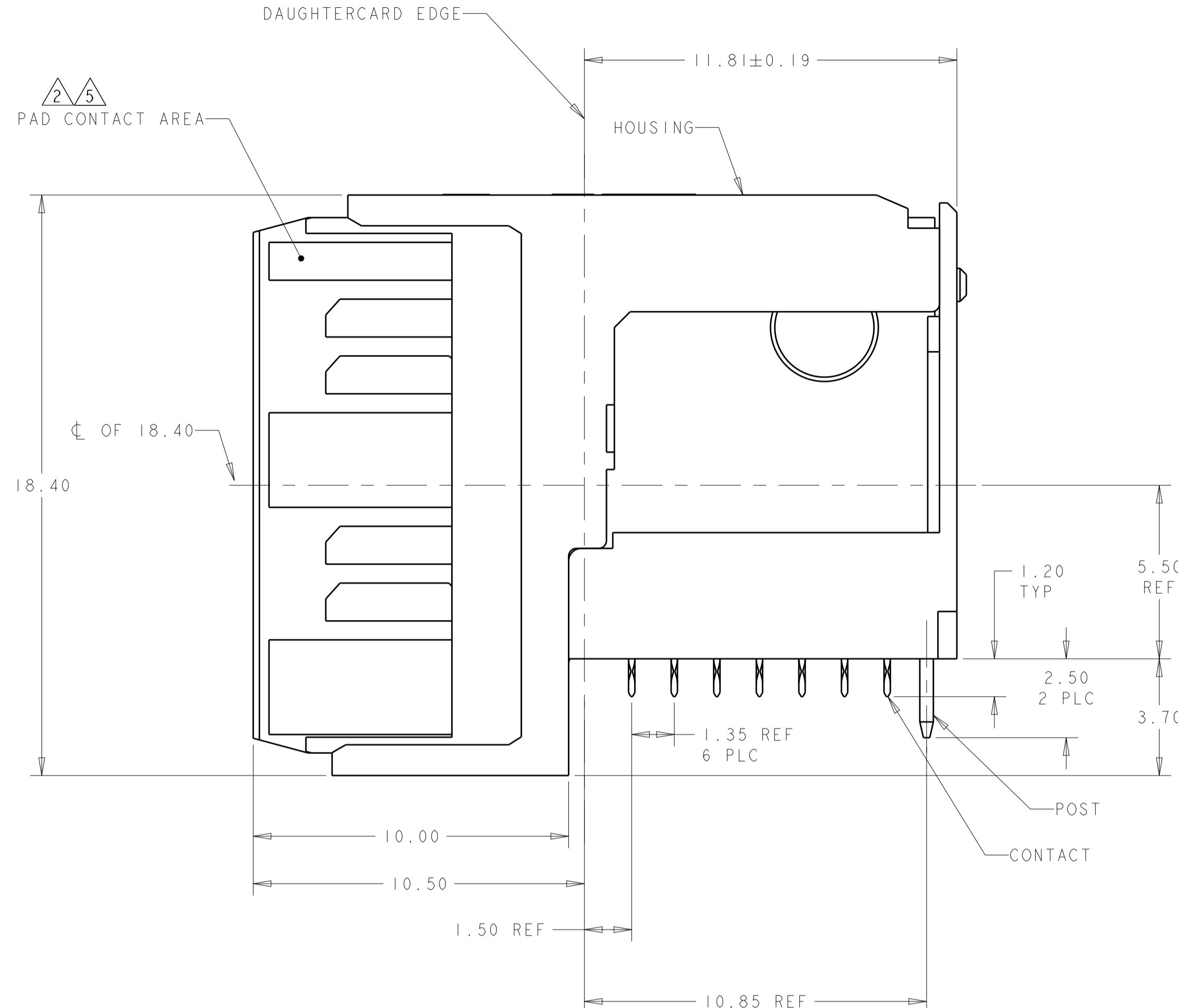
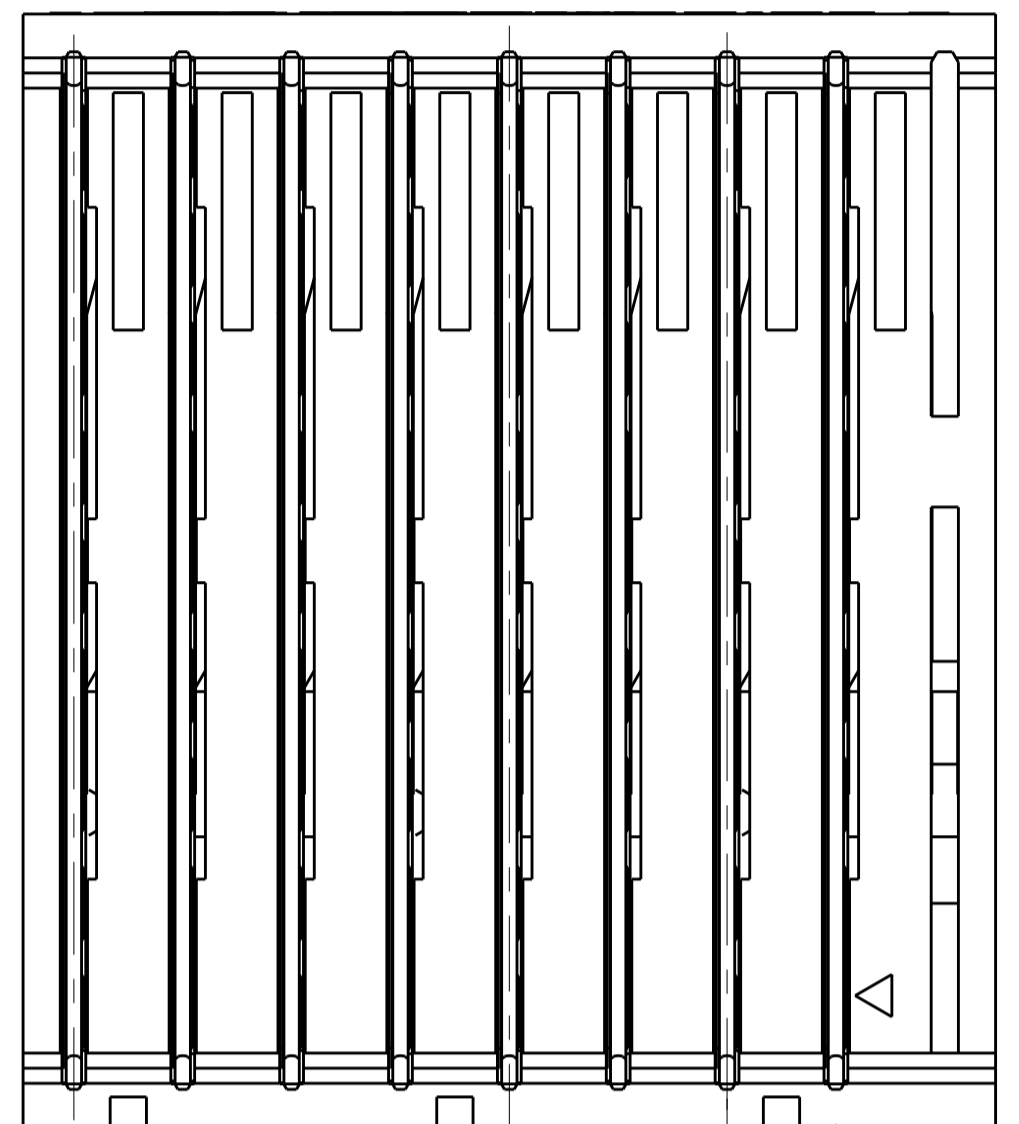


LOC		DIST		REVISIONS			
P	LTH	DESCRIPTION	DATE	OWN	APVD		
A		RELEASED PER ECO-19-001811	05FEB2019	DCB	AT		



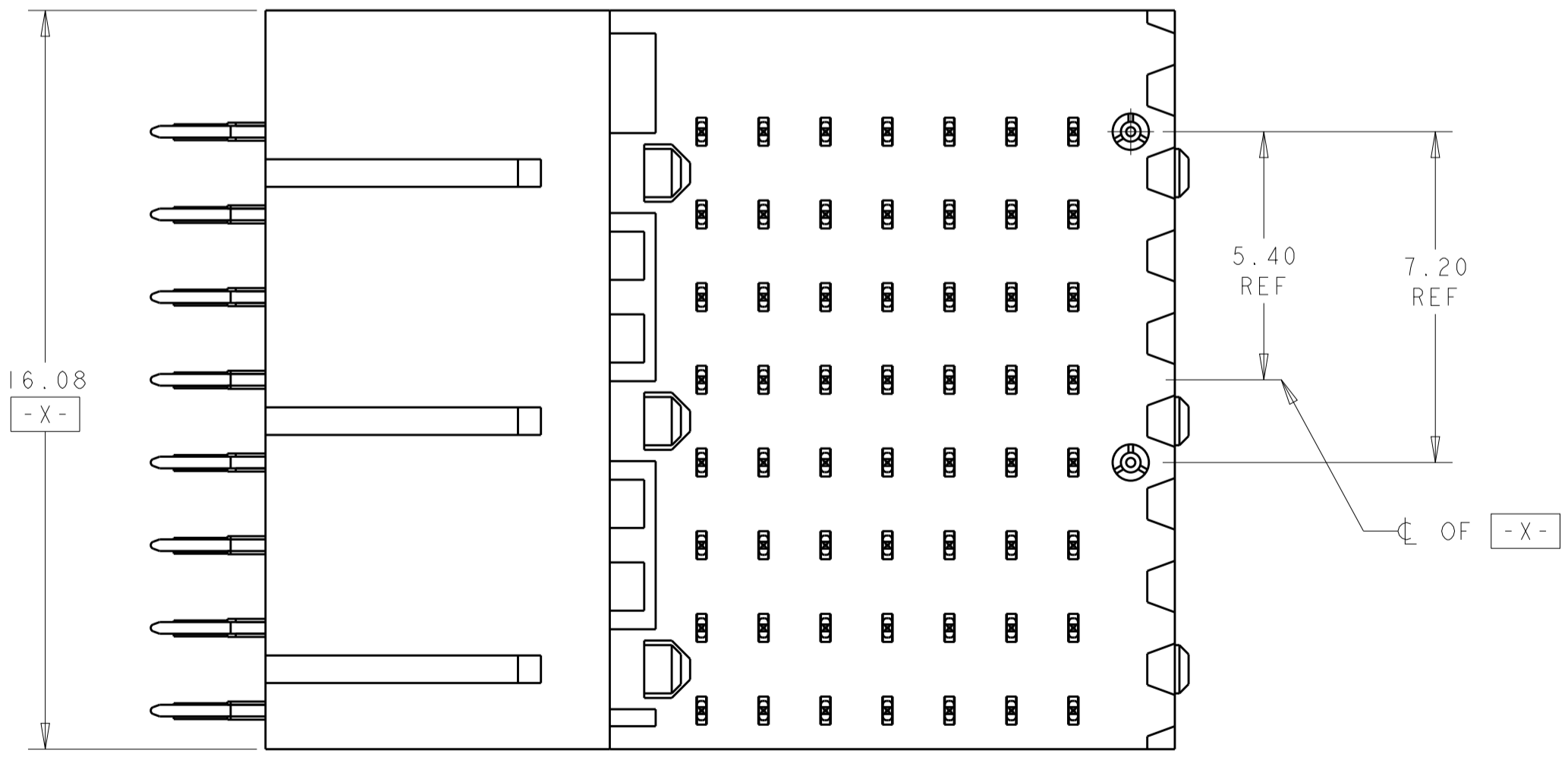
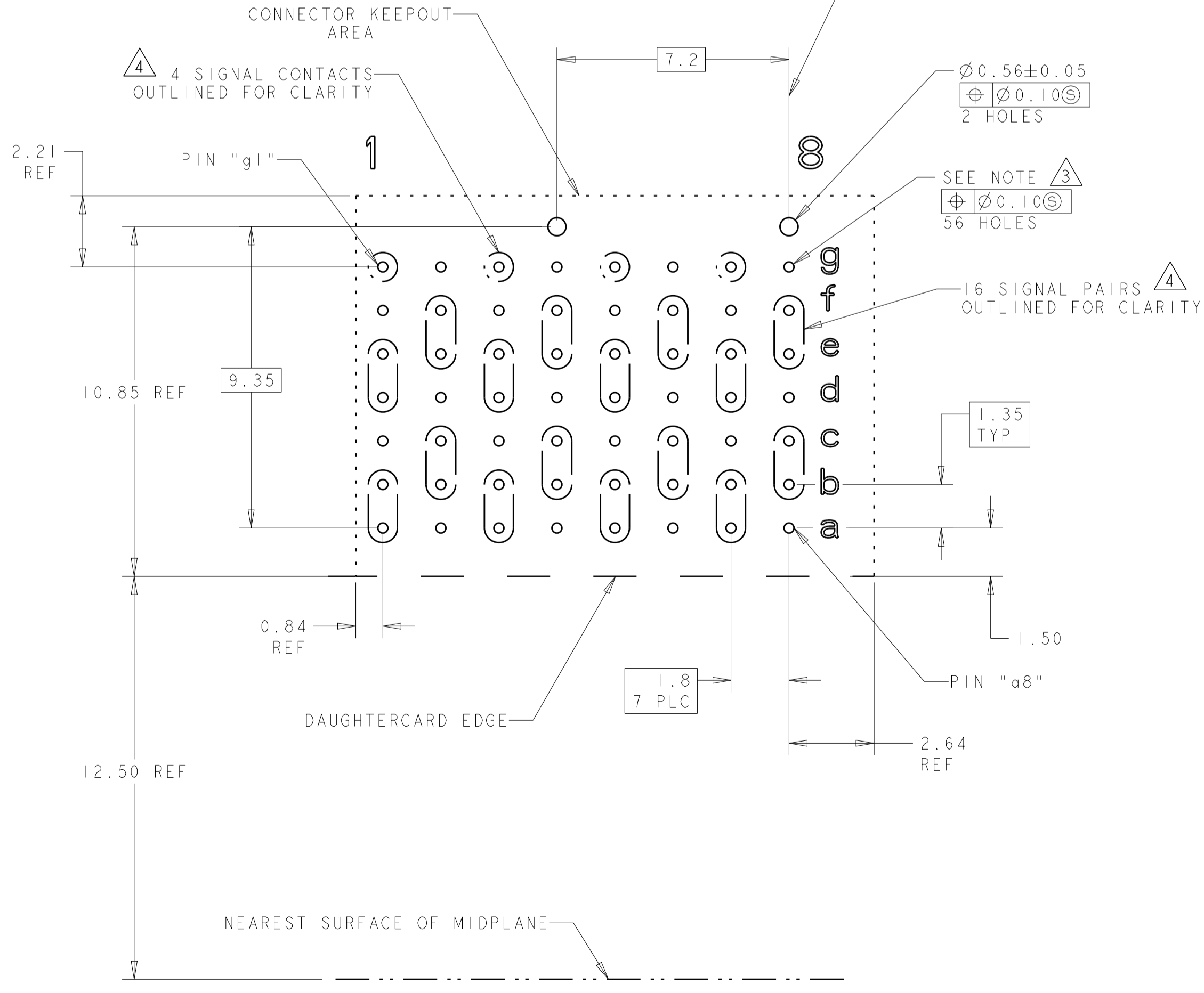
- 1 HOUSING: LCP, UL94V0, COLOR: BLACK.  
CONTACT: PHOSPHOR BRONZE.  
POST: BRASS WIRE
- 2 CONTACT: 1.27μm MIN GOLD IN PAD CONTACT AREA, 1.27μm MIN TIN-LEAD ON PCB TAIL OVER 1.27μm MIN. NICKEL OVER ALL.  
POST: 1.27μm MIN NICKEL PLATED.
- 3 PLATED THRU HOLE SPECIFICATION:  
DRILLED HOLE: Ø0.40±0.02  
0.025-0.050 THICK COPPER PLATING (MAX HARDNESS 150 KNOOP)  
FINISH OPTIONS:  
0.0038-0.0124 HOT AIR SOLDER LEVELING (HASL) TIN-LEAD (SnPb)  
0.0005-0.004 IMMERSION TIN (Sn)  
0.0002-0.0005 ORGANIC SOLDERABILITY PRESERVATIVE (OSP)  
0.0001-0.0005 IMMERSION SILVER (Ag)  
0.0001-0.0005 IMMERSION GOLD OVER 0.00127-0.0076 NICKEL (ENIG)  
FINISH HOLE DIAMETER AFTER PLATING = Ø0.31 REF
- 4 SEE TABLE 1 FOR INTERCONNECTIONS TO BACKPLANE CONNECTOR.
- 5 CONTACT: 1.27μm MIN GOLD IN PAD CONTACT AREA, 1.27μm MIN TIN ON PCB TAIL OVER 1.27μm MIN. NICKEL OVER ALL.  
POST: 1.27μm MIN NICKEL PLATED.

TABLE 1  
INTERCONNECTIONS WITH BACKPLANE CONNECTOR 21302788

TYPICAL INTERCONNECTIONS FOR ODD COLUMN (WAFER): 1,3,5,7		
CONTACT USAGE	DAUGHTERCARD CONNECTOR PIN	BACKPLANE CONNECTOR PIN
SIGNAL PAIR	ax	ax
SIGNAL PAIR	bx	bx
SIGNAL PAIR	dx	ex
SIGNAL PAIR	ex	fx
SIGNAL PAIR	gx	ix
GROUND	cx, fx (ALL COMMONED)	cx, dx, gx, hx

TYPICAL INTERCONNECTIONS FOR EVEN COLUMN (WAFER): 2,4,6,8		
CONTACT USAGE	DAUGHTERCARD CONNECTOR PIN	BACKPLANE CONNECTOR PIN
SIGNAL PAIR	bx	cx
SIGNAL PAIR	cx	dx
SIGNAL PAIR	ex	gx
SIGNAL PAIR	fx	hx
GROUND	ax, dx, gx, (ALL COMMONED)	ax, bx, ex, fx, ix

NOTE: "x" DESIGNATES THE COLUMN NUMBER



PC BOARD REAR TRANSITION MODULE (CONNECTOR SIDE)  
SCALE 8:1

THIS DRAWING IS A CONTROLLED DOCUMENT.		OWN: R. MILLER 11JUL2017	TE Connectivity	
DIMENSIONS: mm		CHK: A. TSANG 11JUL2017	NAME: RIGHT-ANGLE PLUG ASSY, 7 ROW, HALF LEFT END, DIFFERENTIAL, RTM, MULTIGIG RT 3	
TOLERANCES UNLESS OTHERWISE SPECIFIED:		APVD:	PRODUCT SPEC: 108-2072-3	
0 PLC ±0.5		APPLICATION SPEC:		
1 PLC ±0.13		SIZE: 114-163004		
2 PLC ±0.13		WEIGHT: 5.41g		
3 PLC ±0.13		SCALE: 5:1		
4 PLC ±0.13		SHEET: 1 OF 1		
ANGLES ±1°		REV: A		
FINISH: SEE TABLE		CUSTOMER DRAWING		

# Mouser Electronics

Authorized Distributor

Click to View Pricing, Inventory, Delivery & Lifecycle Information:

[TE Connectivity:](#)

[2302796-1](#)