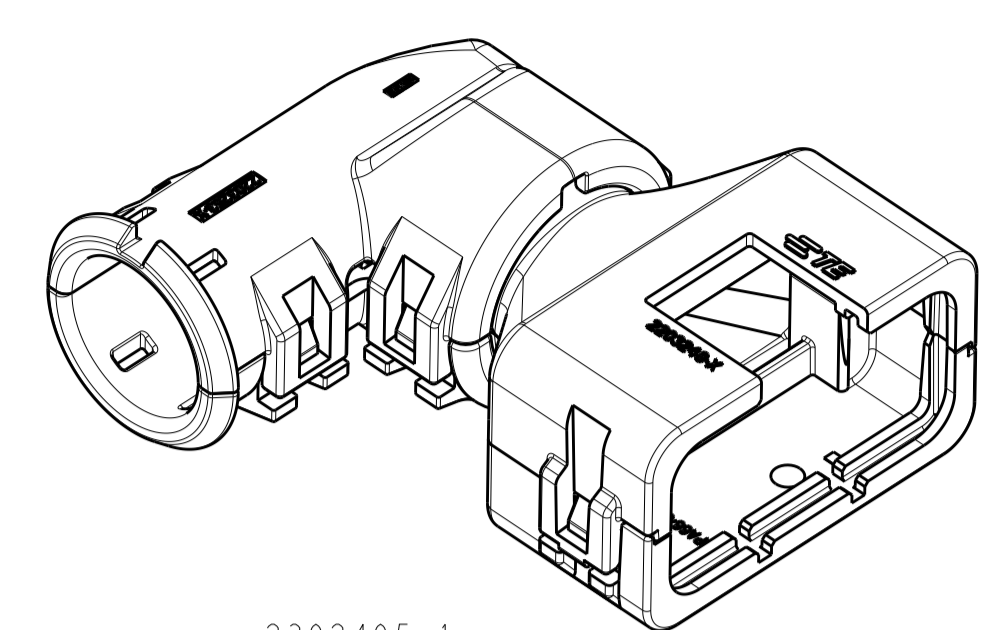
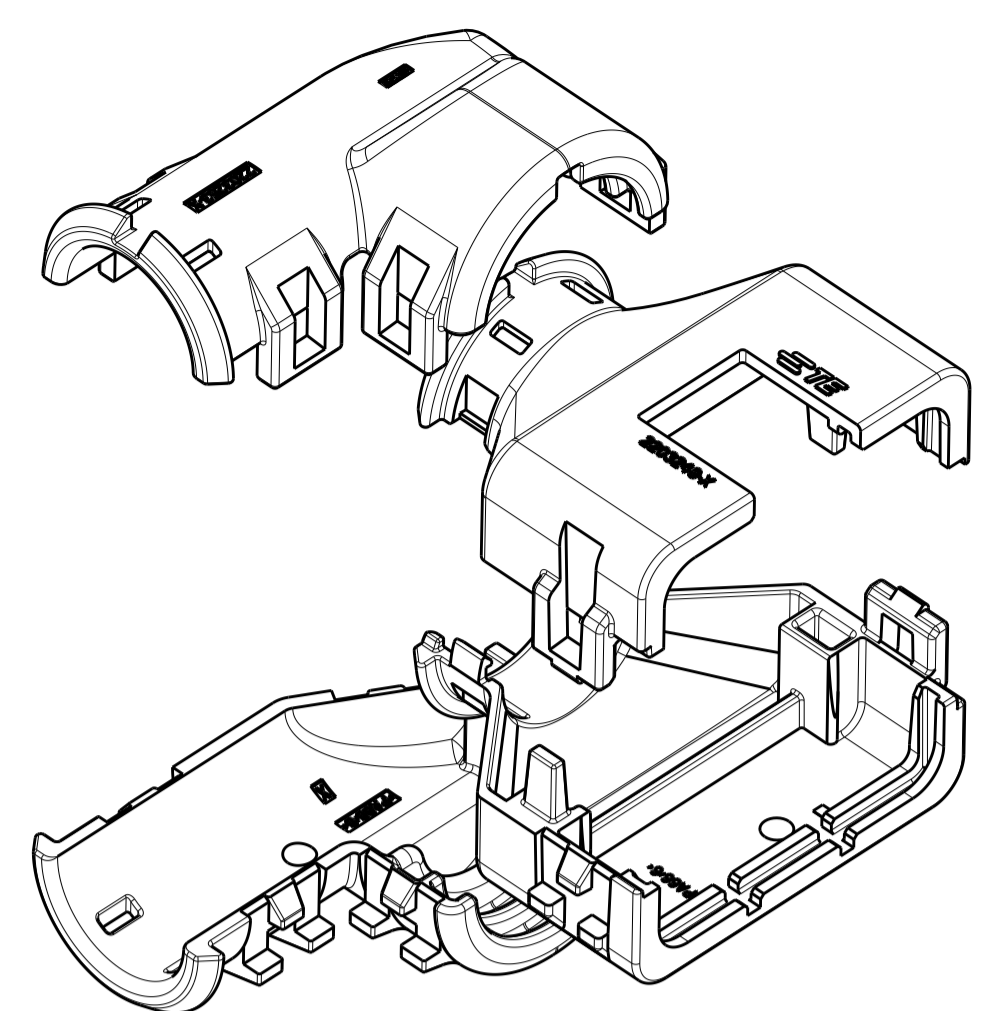


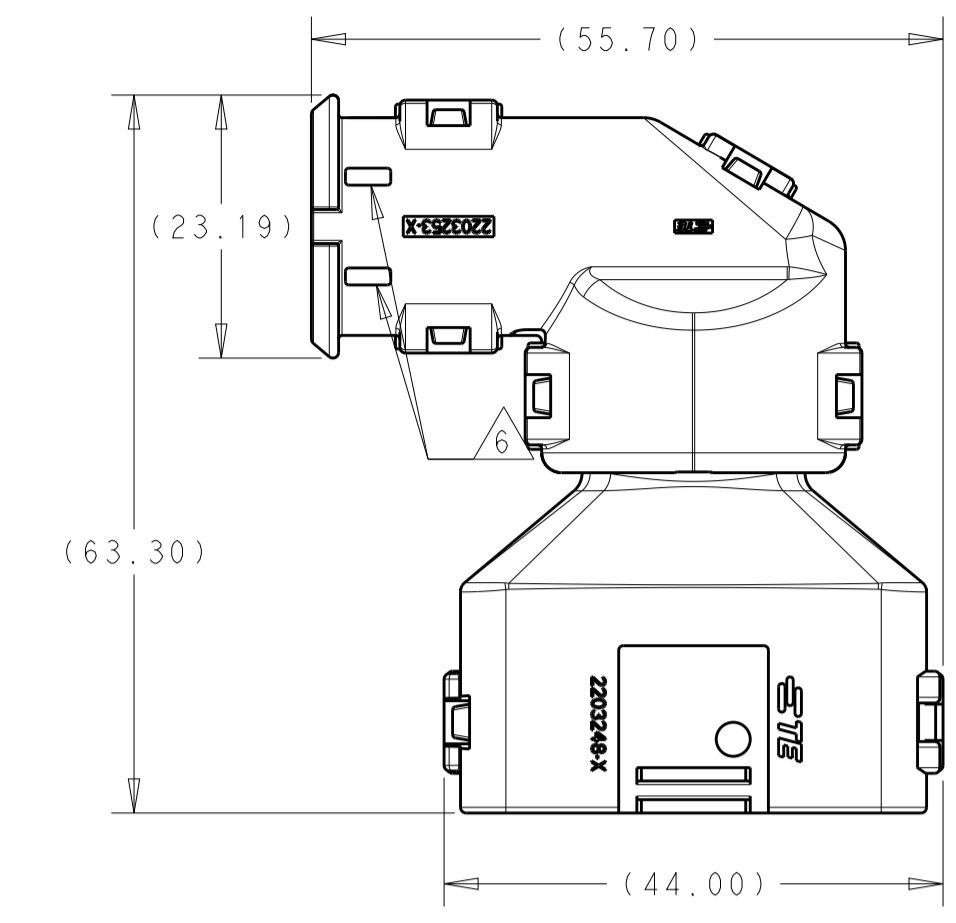
| REVISIONS |     |                            |           |       |
|-----------|-----|----------------------------|-----------|-------|
| P         | LTN | DESCRIPTION                | DATE      | APVD  |
| A         |     | RELEASED PER ECO-16-008203 | 01JUN2016 | JM RB |
| A2        |     | REV PER ECO-16-013256      | 08SEP2016 | JM RB |



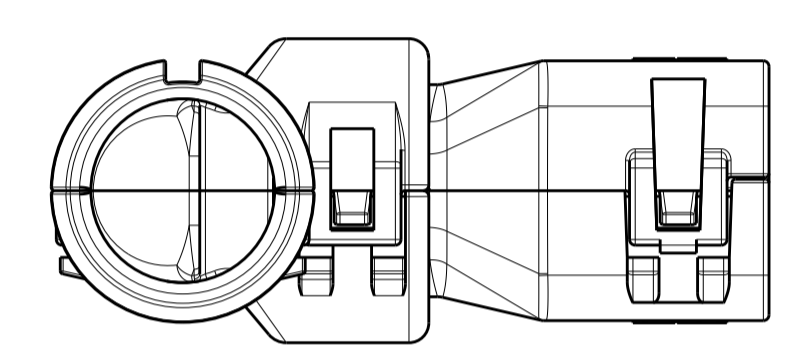
2302495-1  
ASSEMBLED ISOMETRIC VIEW SHOWN



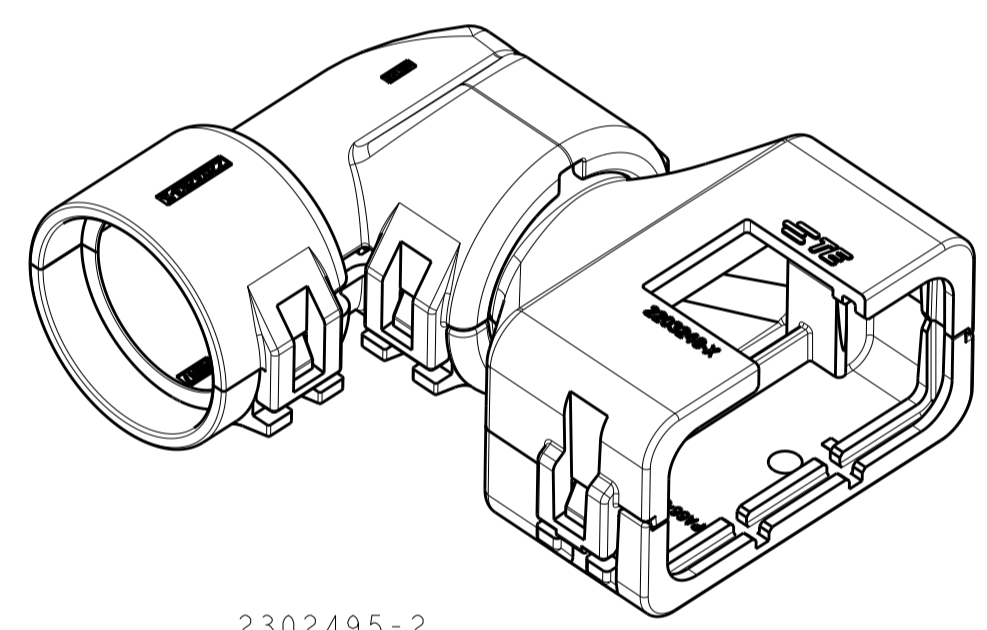
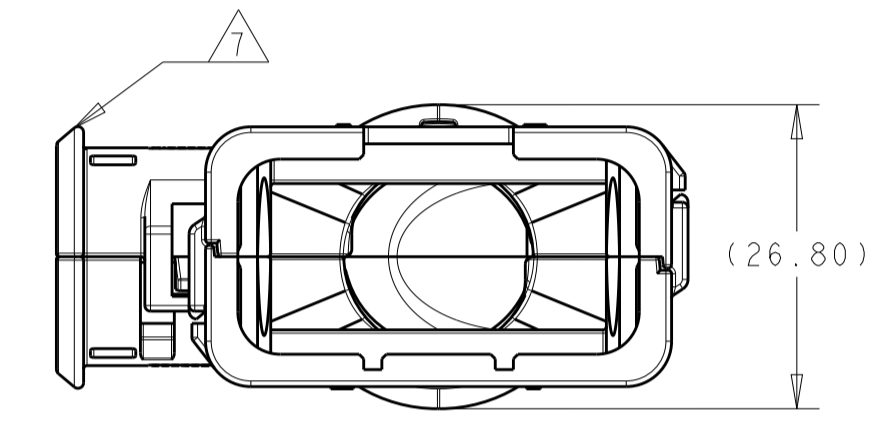
2302495-1  
EXPLODED ISOMETRIC VIEW SHOWN



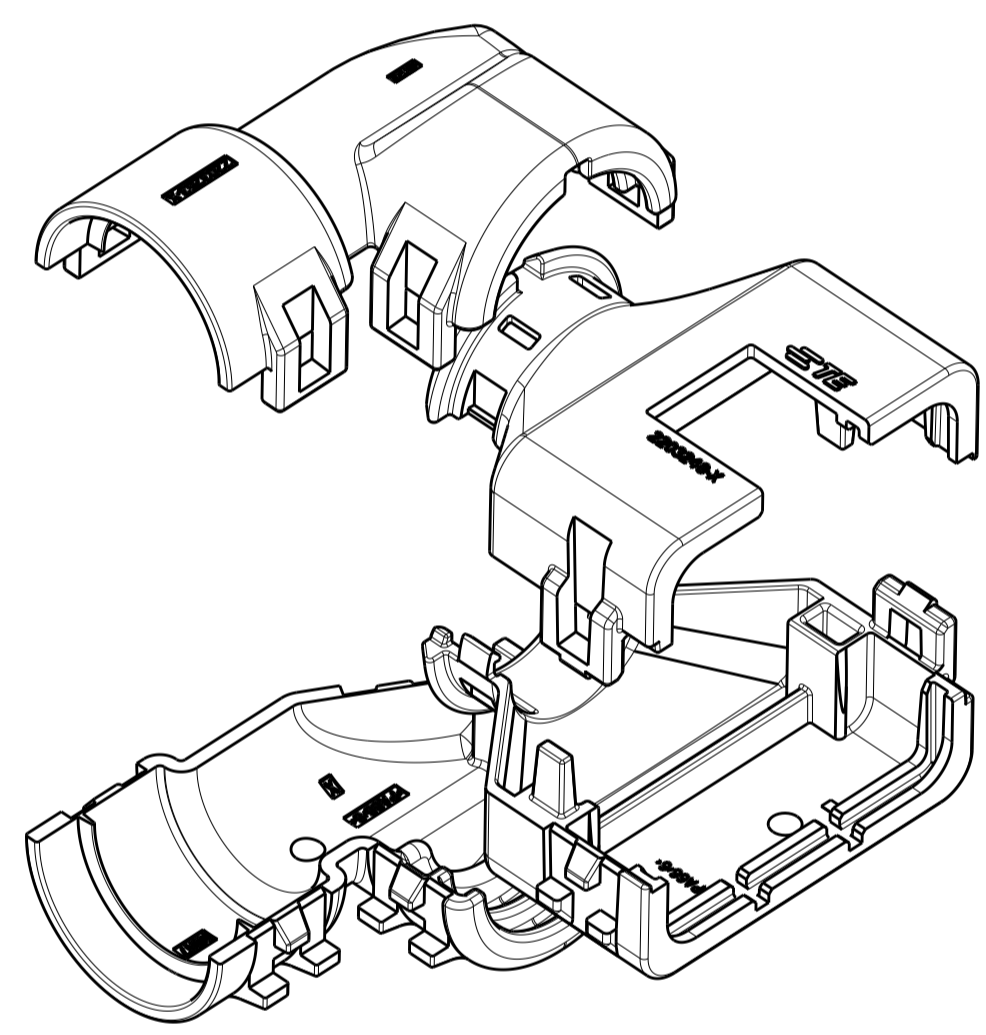
- 1 MATERIAL: NYLON MOLDING COMPOUND, BLACK, PA66/6.
- 2 BACKSHELL DESIGNED SUCH THAT TWO HALVES ATTACH TO ONE ANOTHER AND CLAMP AROUND THE CONNECTOR COVER.
- 3 ELBOW DESIGNED SUCH THAT TWO HALVES ATTACH TO ONE ANOTHER AND CLAMP AROUND THE BACKSHELL COLLAR.
- 4 DIMENSIONS TO BE MEASURED WHEN ELBOWS AND BACKSHELLS ASSEMBLED.
- 5 PRODUCT WEIGHTS:  
2302495-1: 15.05g ASSEMBLED  
2302495-2: 15.50g ASSEMBLED  
2302495-3: 15.25g ASSEMBLED
- 6 4MM WIDE SLOTS FOR TIE WRAP TO SECURE HARNESS WIRES (-1 ONLY).
- 7 HEAT SHRINK TUBING FEATURE (-1 AND -3 ONLY).
- 8. INSTRUCTION SHEET: 408-151043.
- 9. CONDUIT PROFILE: NORMAL ONLY.



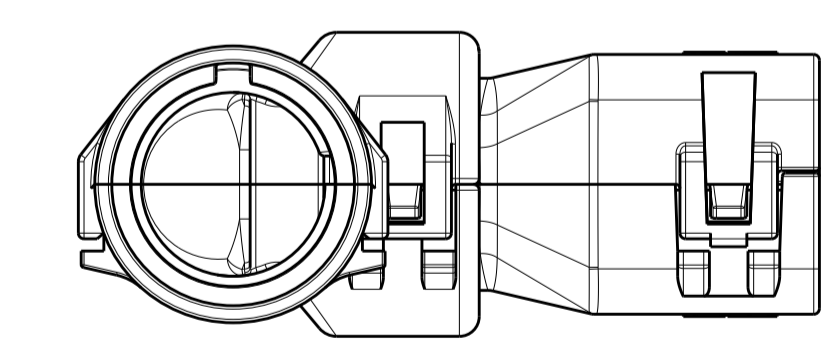
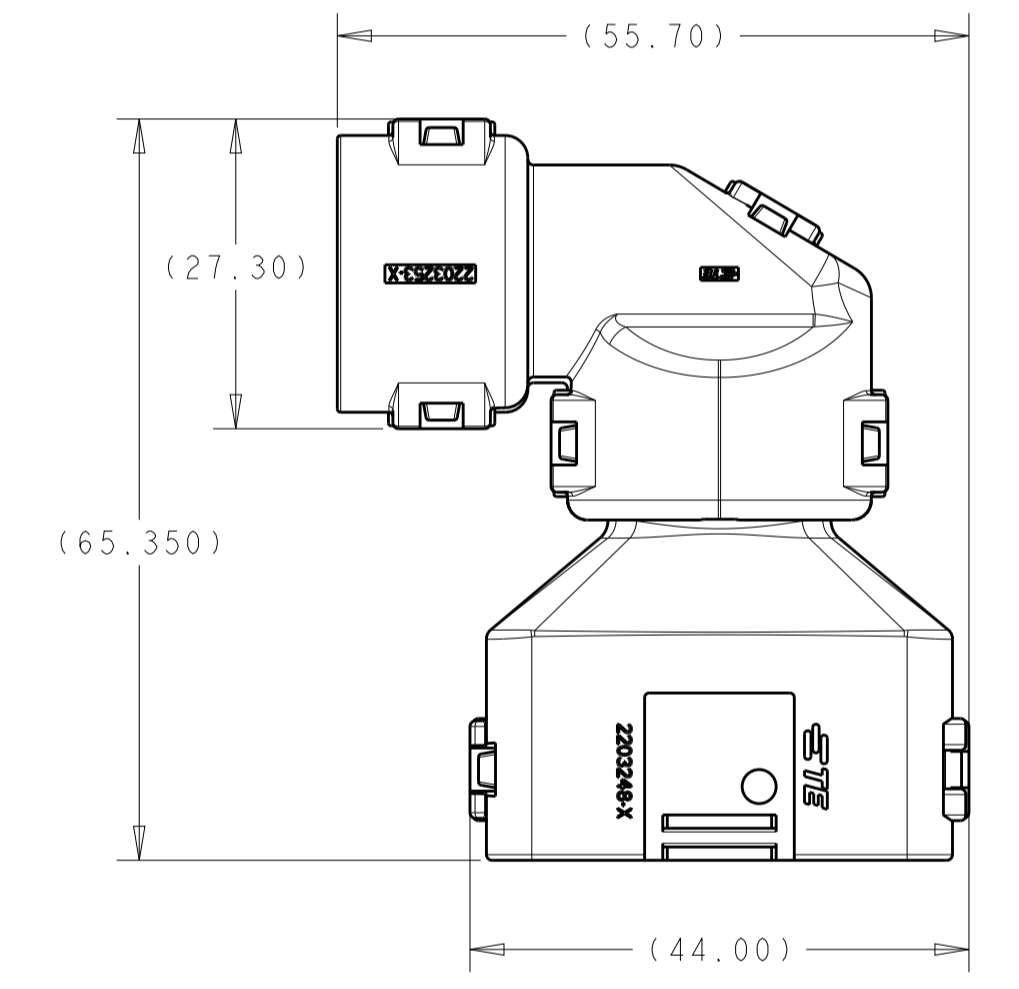
2302495-1  
ASSEMBLED VIEW SHOWN  
DIMENSIONS SHOWN TYPICAL FOR 2302495-1 AND -3



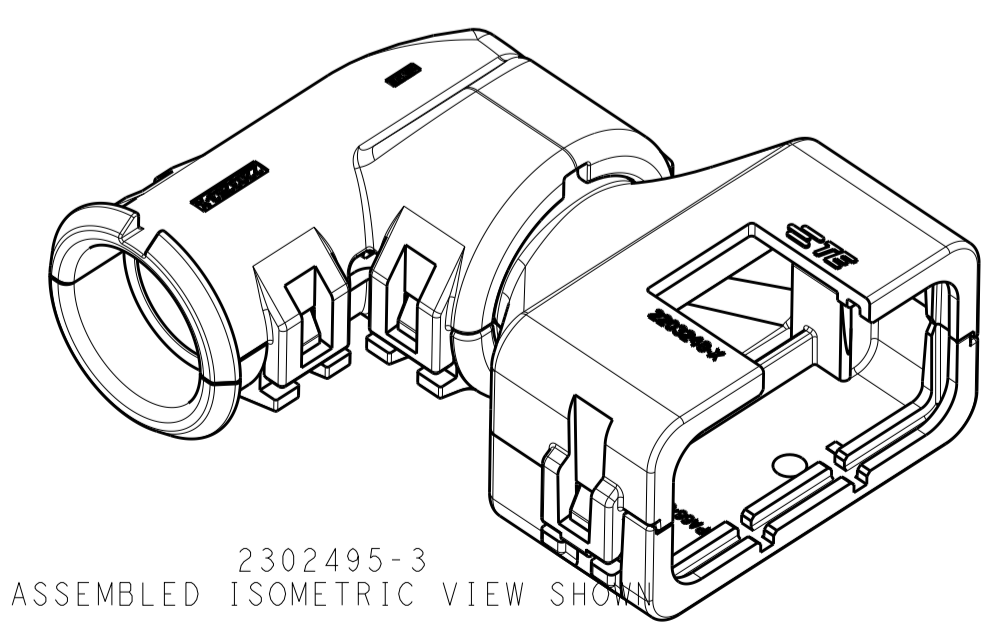
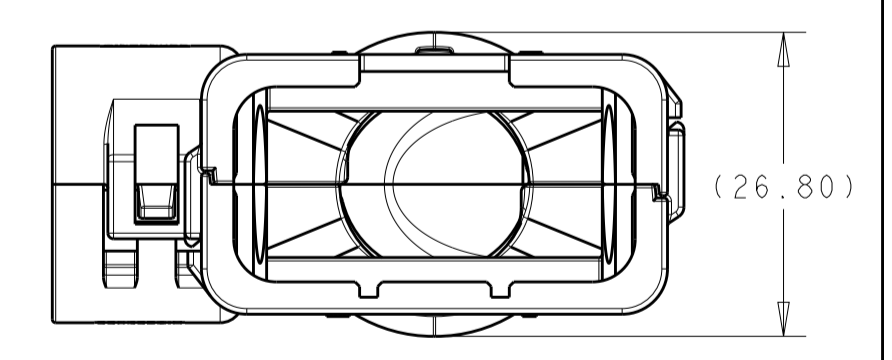
2302495-2  
ASSEMBLED ISOMETRIC VIEW SHOWN



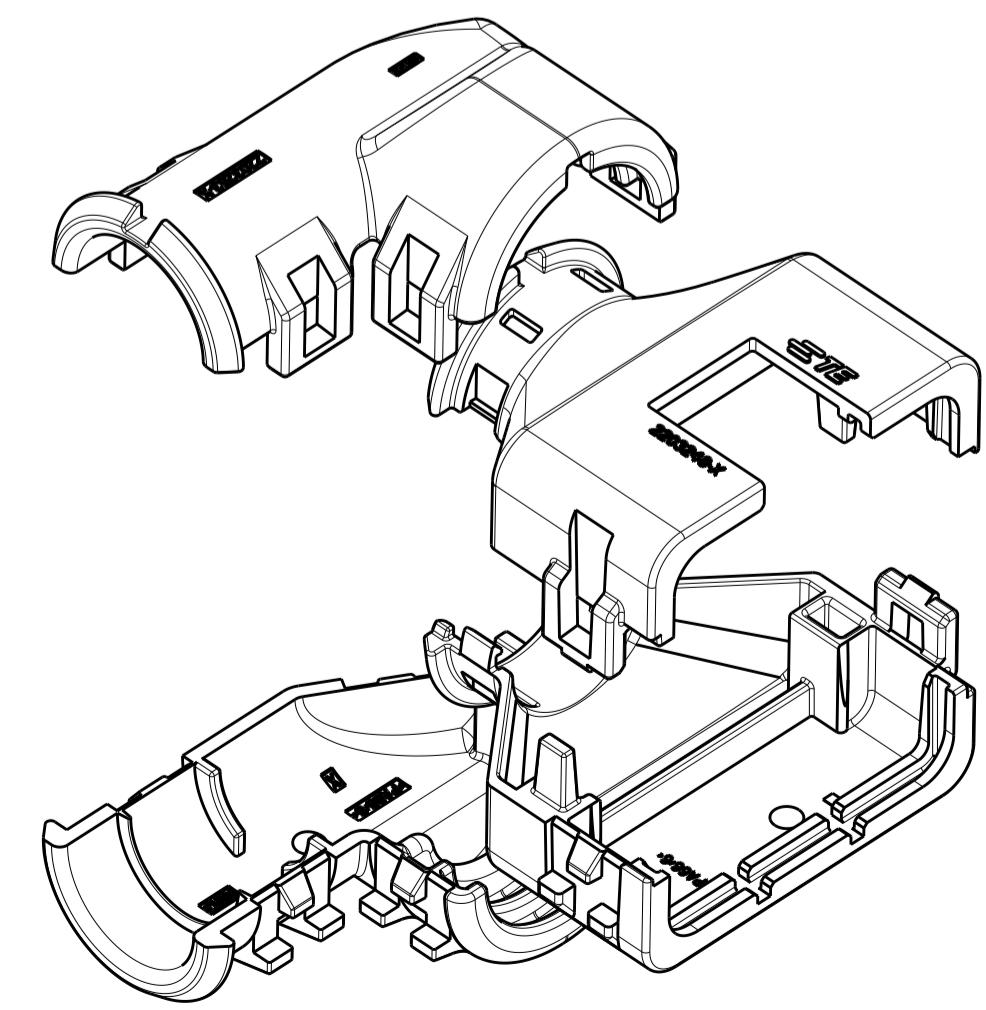
2302495-2  
EXPLODED ISOMETRIC VIEW SHOWN



2302495-2  
ASSEMBLED VIEW SHOWN  
DIMENSIONS SHOWN FOR 2302495-2 ONLY



2302495-3  
ASSEMBLED ISOMETRIC VIEW SHOWN



2302495-3  
EXPLODED ISOMETRIC VIEW SHOWN

|                   |              |              |             |
|-------------------|--------------|--------------|-------------|
| 776437-X          | NC16         | NW13         | 2302495-3   |
| 776533-X          | NC20         | NW17         | 2302495-2   |
|                   | SMOOTH       | SMOOTH       | 2302495-1   |
| FITS ON PLUG ASSY | CORREGATE NC | CORREGATE NW | PART NUMBER |
|                   | CONDUIT SIZE |              |             |

|  |  |                           |  |  |
|--|--|---------------------------|--|--|
| THIS DRAWING IS A CONTROLLED DOCUMENT. |  | DWN: J. MCNEAL 13APR2016  | TE Connectivity  |  |
| DIMENSIONS: mm [INCHES]                |  | CHK: R. BALTER 13APR2016  | NAME: BACKSHELL AND ELBOW KIT, 12 POSN PLUG ASSY, AMPSEAL 16 |  |
| TOLERANCES UNLESS OTHERWISE SPECIFIED: |  | APVD: R. BALTER 13APR2016 | PRODUCT SPEC: 108-151043                                     |  |
| 0 PLC ±                                |  | APPLICATION SPEC:         |  |  |
| 1 PLC ±                                |  | SIZE: A1                  |  |  |
| 2 PLC ±                                |  | CAGE CODE: 00779          |  |  |
| 3 PLC ±                                |  | DRAWING NO: 2302495       |  |  |
| 4 PLC ±                                |  | RESTRICTED TO:            |  |  |
| ANGLES ±                               |  | SCALE: 3:2                |  |  |
| FINISH:                                |  | SHEET 1 OF 1              |  |  |
| MATERIAL:                              |  | REV: A2                   |  |  |
| FINISH:                                |  | CUSTOMER DRAWING          |  |  |

# Mouser Electronics

Authorized Distributor

Click to View Pricing, Inventory, Delivery & Lifecycle Information:

[TE Connectivity:](#)

[2302495-2](#)