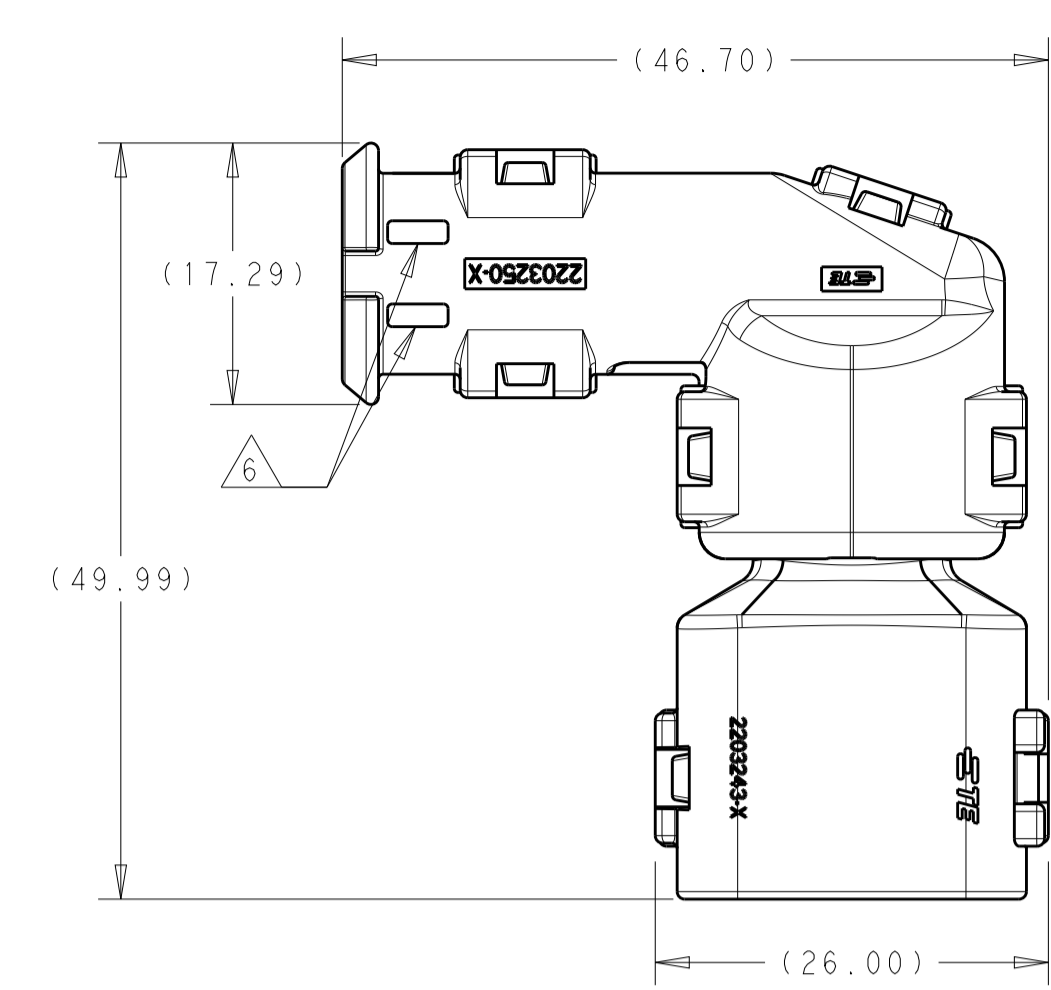
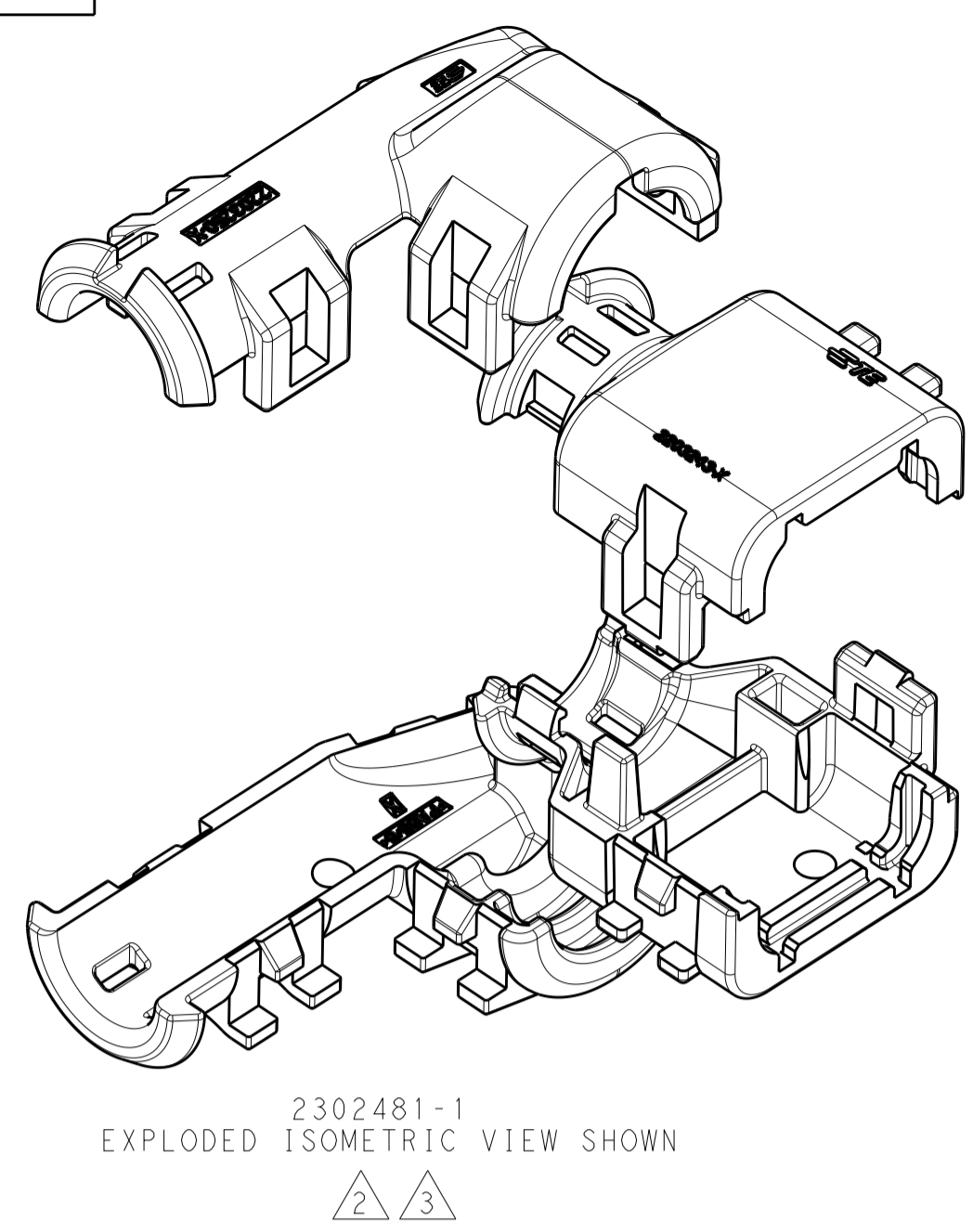
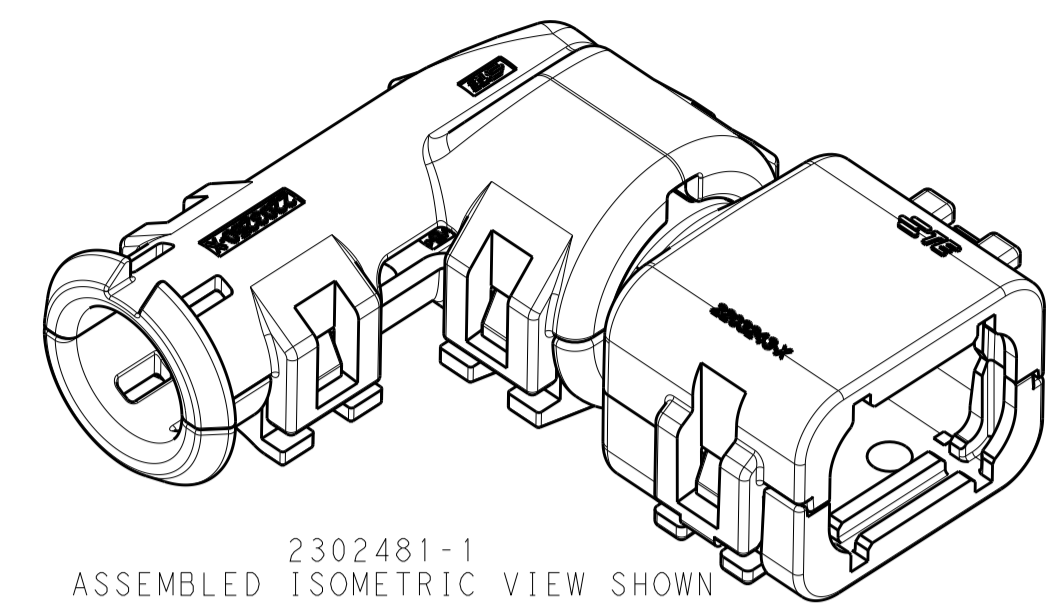
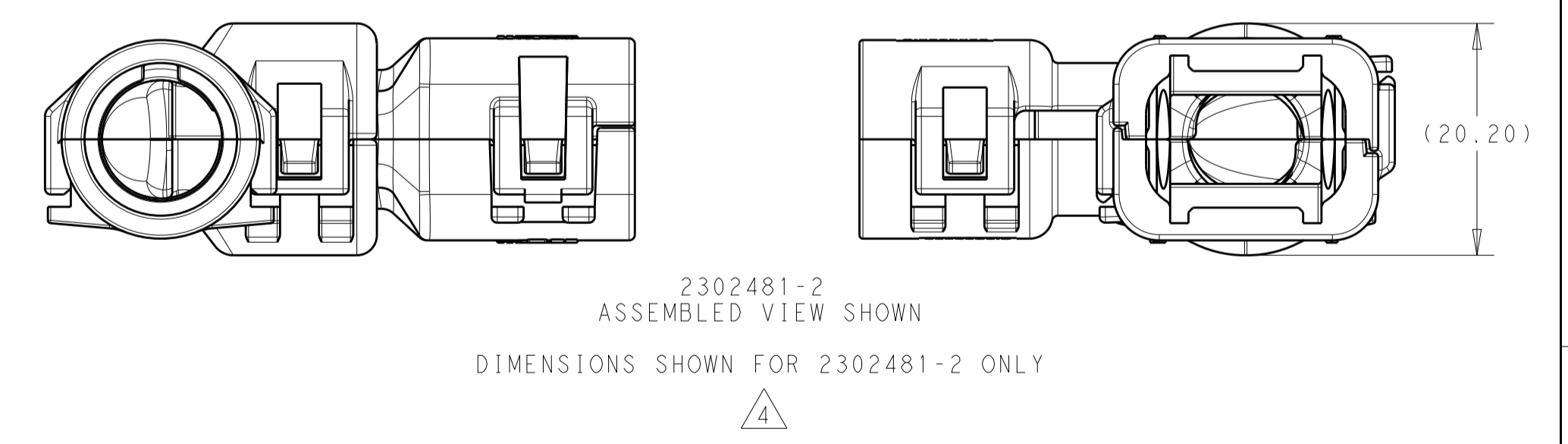
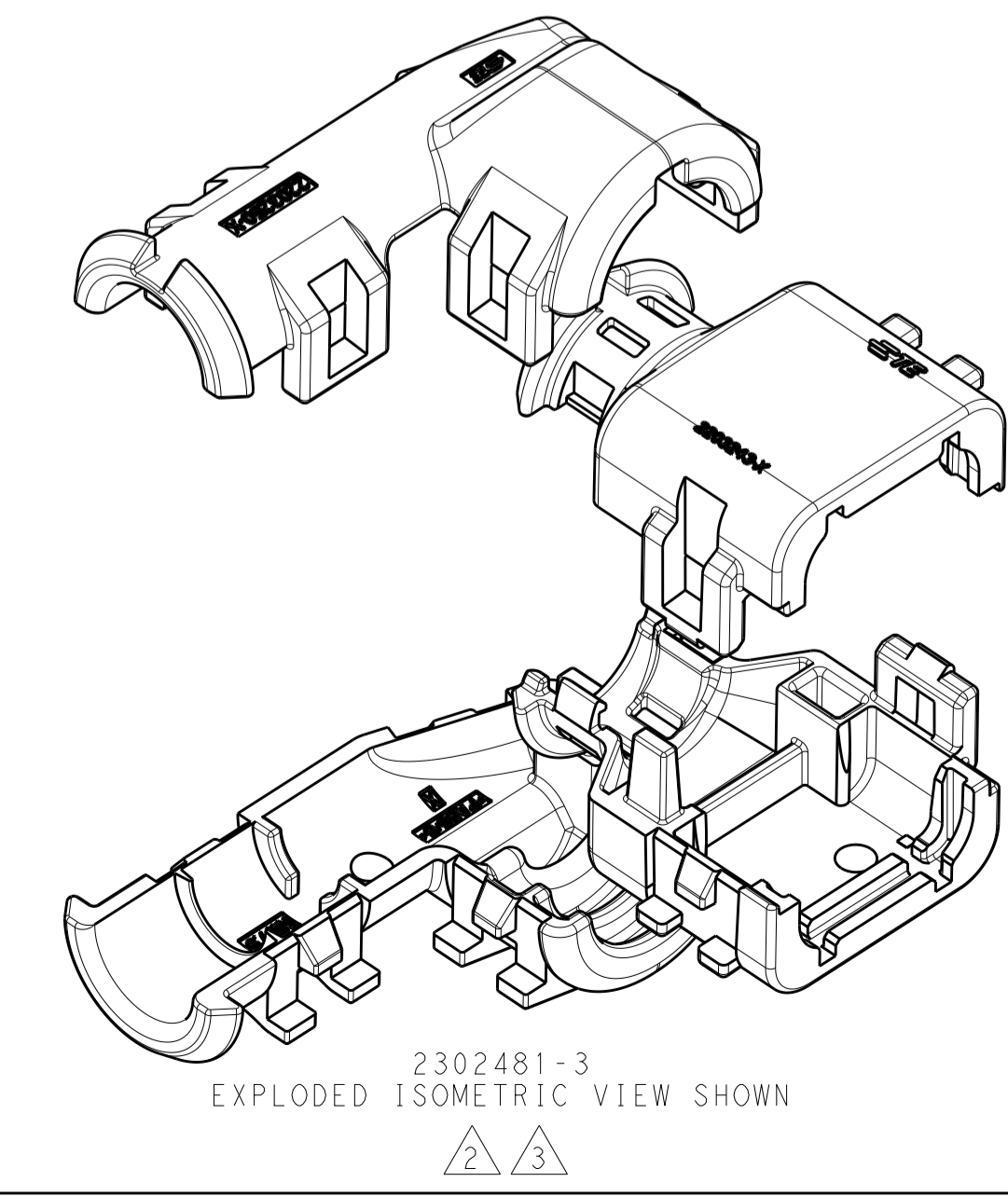
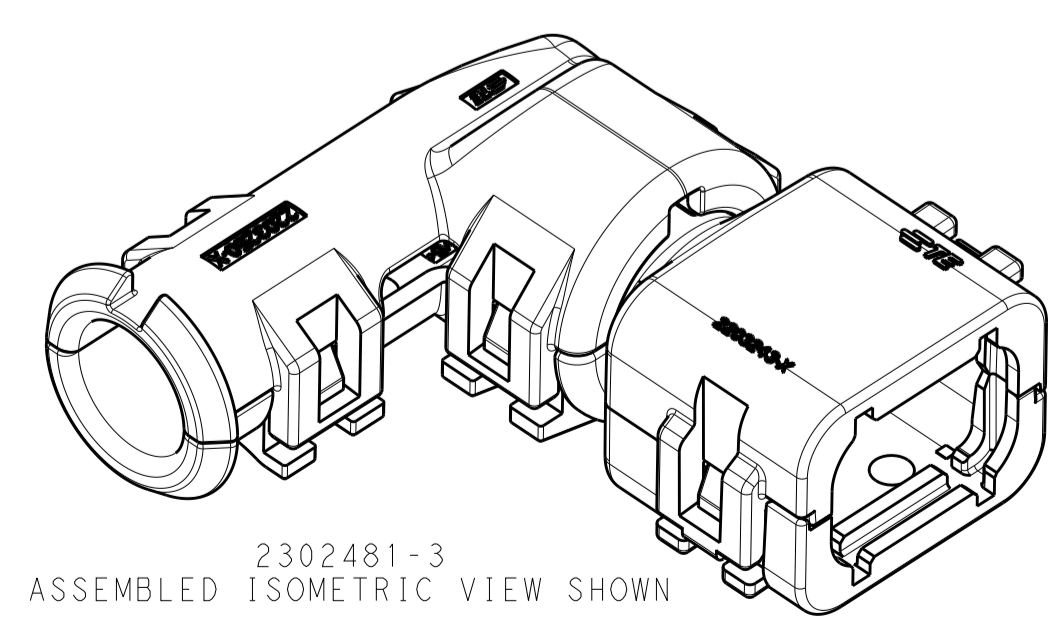
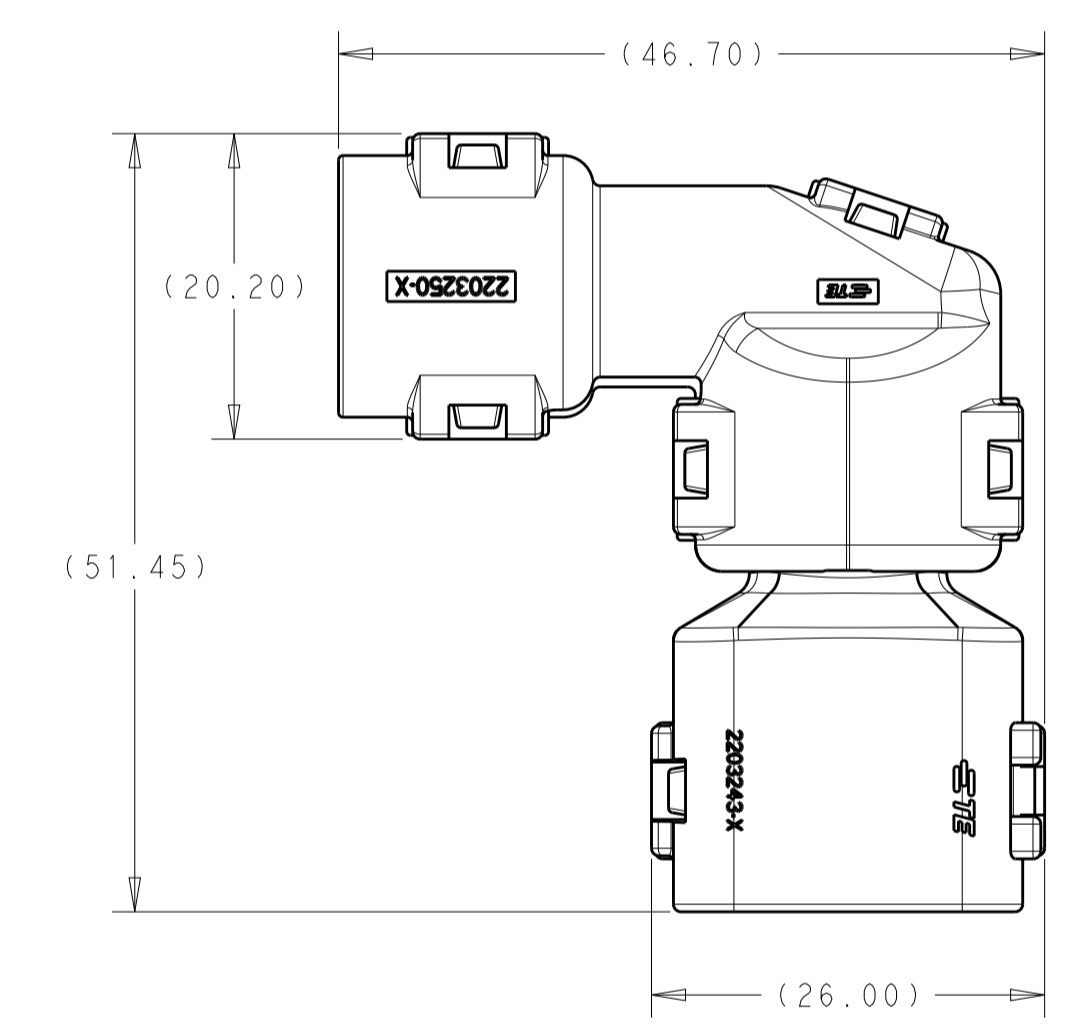
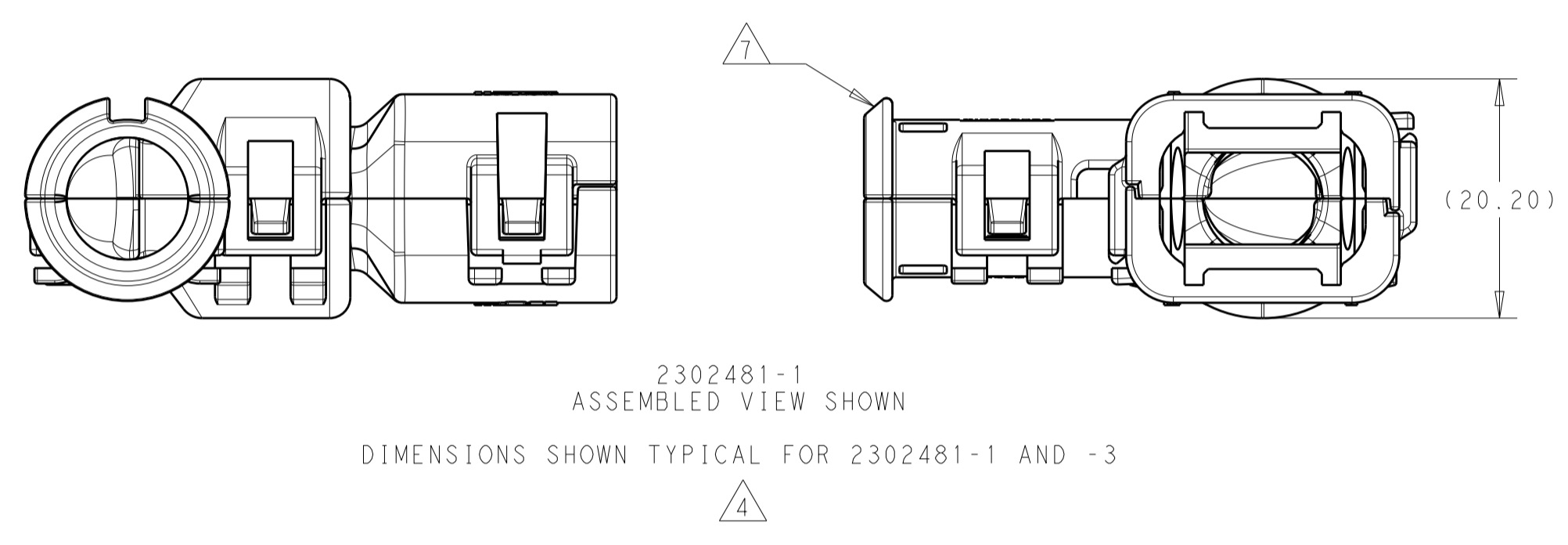
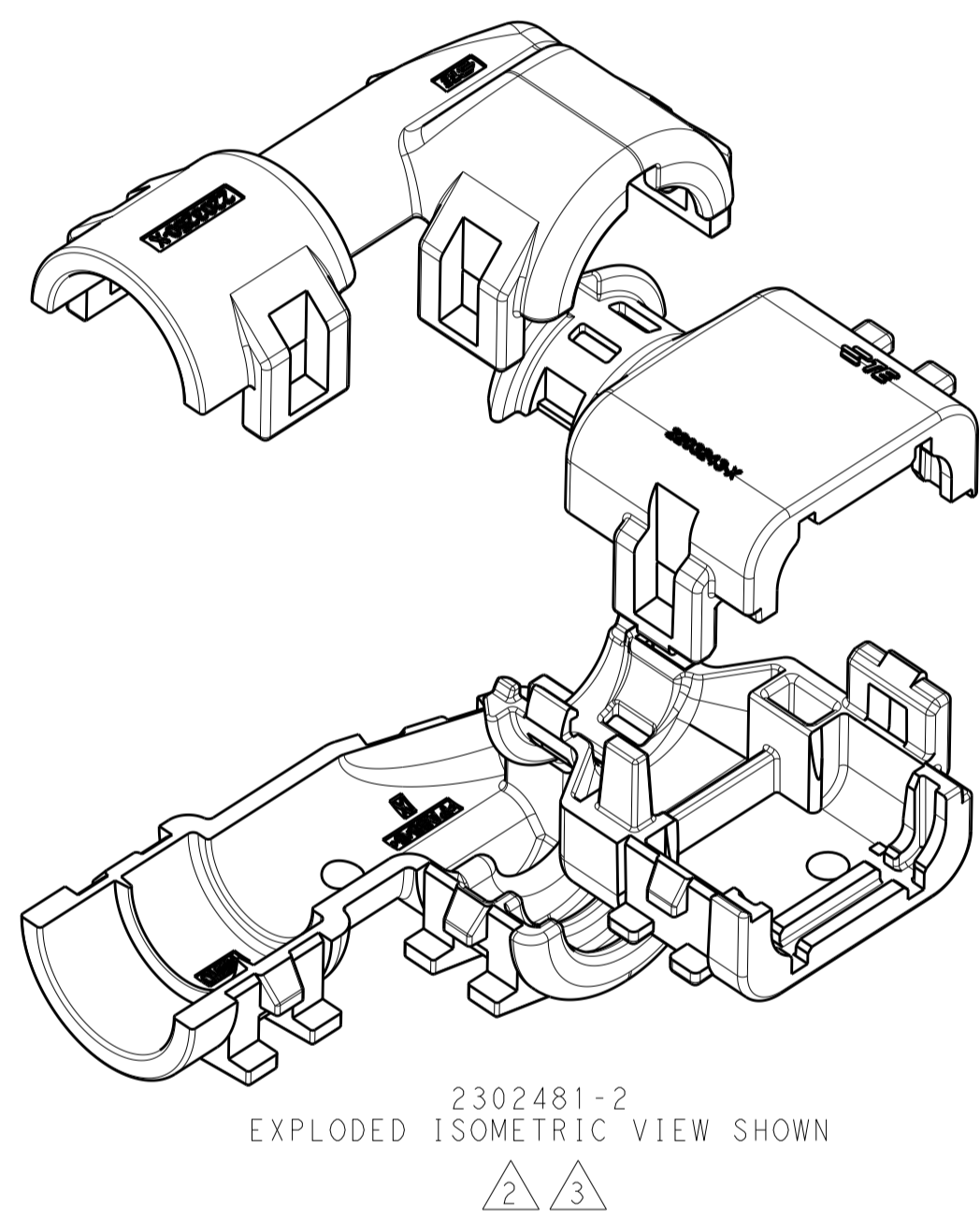
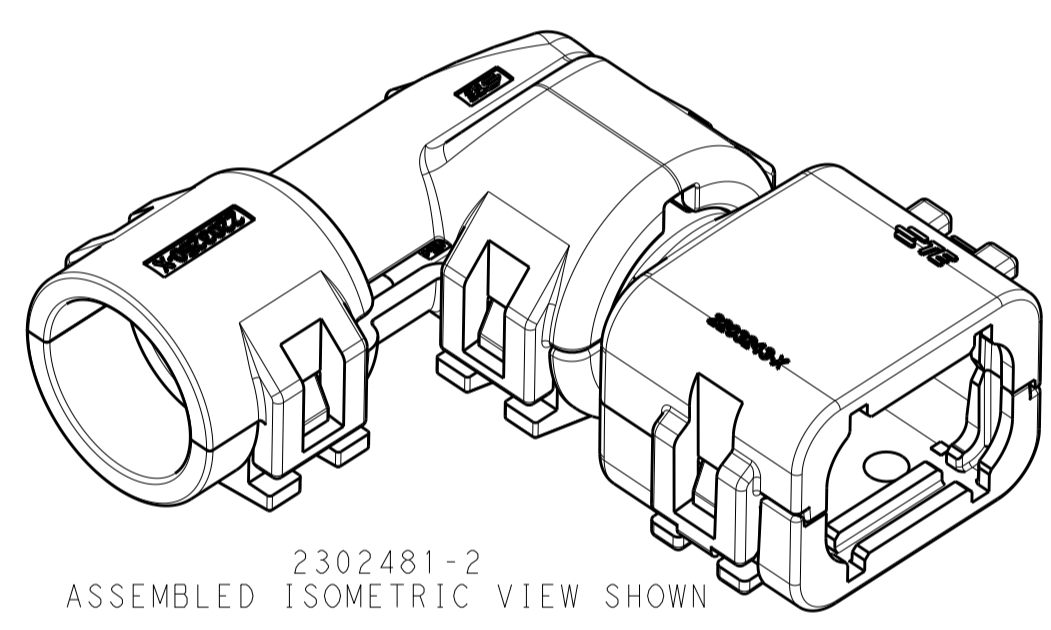


| REVISIONS | | | | |
|-----------|-----|----------------------------|-----------|----------|
| P. | LTN | DESCRIPTION | DATE | DWN APVD |
| A | | RELEASED PER ECO-16-007279 | 12MAY2016 | JM RB |
| A2 | | REV PER ECO-16-013256 | 08SEP2016 | JM RB |



- 1 MATERIAL: NYLON MOLDING COMPOUND, BLACK, PA66/6.
- 2 BACKSHELL DESIGNED SUCH THAT TWO HALVES ATTACH TO ONE ANOTHER AND CLAMP AROUND THE CONNECTOR COVER.
- 3 ELBOW DESIGNED SUCH THAT TWO HALVES ATTACH TO ONE ANOTHER AND CLAMP AROUND THE BACKSHELL COLLAR.
- 4 DIMENSIONS TO BE MEASURED WHEN ELBOWS AND BACKSHELLS ASSEMBLED.
- 5 PRODUCT WEIGHTS:
 2302481-1: 9.45g ASSEMBLED
 2302481-2: 10.10g ASSEMBLED
 2302481-3: 9.55g ASSEMBLED
- 6 4mm WIDE SLOTS FOR TIE WRAP TO SECURE HARNESS WIRES (-1 ONLY).
- 7 HEAT SHRINK TUBING FEATURE (-1 AND -3 ONLY).
- 8. INSTRUCTION SHEET: 408-151043.
- 9. CONDUIT PROFILE: NORMAL ONLY.



| | | | |
|------------------|--------------|--------------|-------------|
| 776428-X | NC08 | NW7.5 | 2302481-3 |
| 776534-X | NC12 | NW10 | 2302481-2 |
| | SMOOTH | SMOOTH | 2302481-1 |
| FITS ON CAP ASSY | CORRUGATE NC | CORRUGATE NW | PART NUMBER |
| | CONDUIT SIZE | | |

THIS DRAWING IS A CONTROLLED DOCUMENT.

| | | | |
|-------------|--|-------------------------|--|
| DIMENSIONS: | TOLERANCES UNLESS OTHERWISE SPECIFIED: | DWN J MCNEAL 26APR2016 | NAME |
| mm | 0 PLC ± | CHK R BALTER 26APR2016 | BACKSHELL AND ELBOW KIT, 2 POSITION CAP ASSEMBLY, AMPSEAL 16 |
| | 1 PLC ± | APVD R BALTER 26APR2016 | 108-151043 |
| | 2 PLC ± | | APPLICATION SPEC |
| | 3 PLC ± | | SIZE CAGE CODE DRAWING NO |
| | 4 PLC ± | | RESTRICTED TO |
| | ANGLES ± | | A100779C=2302481 |
| MATERIAL | FINISH | WEIGHT 5 | SCALE 2:1 SHEET 1 OF 1 REV A2 |
| | | CUSTOMER DRAWING | |

Mouser Electronics

Authorized Distributor

Click to View Pricing, Inventory, Delivery & Lifecycle Information:

[TE Connectivity:](#)

[2302481-1](#)