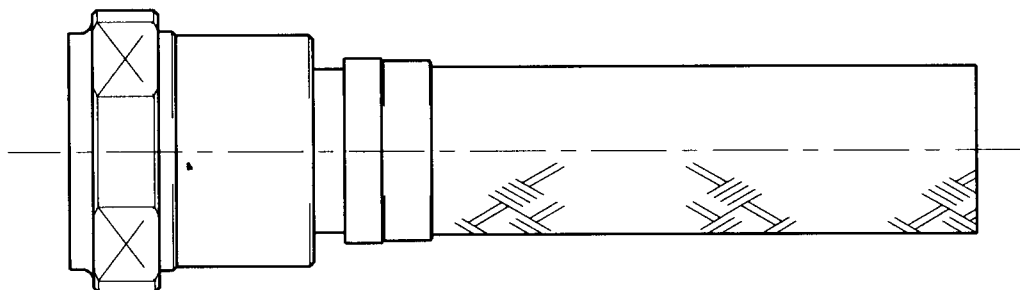


ISSUE	DESCRIPTION	DRAWN	DATE	APPR
N/C		IRT	NOV 97	KJW



CODE 79 SHIELDED STRAIGHT ADAPTOR

NOTES

1. THIS PRODUCT IS DESIGNED TO TERMINATE A HEAT SHRINKABLE LIPPED BOOT TO A CONNECTOR - SEE NOTE 5.
2. FOR ADDITIONAL DIMENSIONS, ORDERING INFORMATION AND MODIFICATIONS, SEE CH00-0250-004.
3. ADAPTOR TO BE PERMANENTLY MARKED/BAGGED AND LABELLED WITH CODE IDENTIFICATION NUMBER AND PART NUMBER. (e.g. 06090 229M120-01-W16).
- ④ BRAID TERMINATION RING MAY BE SUPPLIED AS TINEL-LOCK SHAPE MEMORY RING AT MANUFACTURERS OPTION.
- ⑤ ADAPTOR MATES TO: B59522-F0020 PATT 608 CONNECTORS.

SPECIFICATION CONTROL DRAWING

**Raychem**

RAYCHEM LIMITED  
FARADAY ROAD  
DORCAN, SWINDON, SN3 5HH  
WILTS. ENGLAND

DO NOT SCALE  
THIS DRAWING

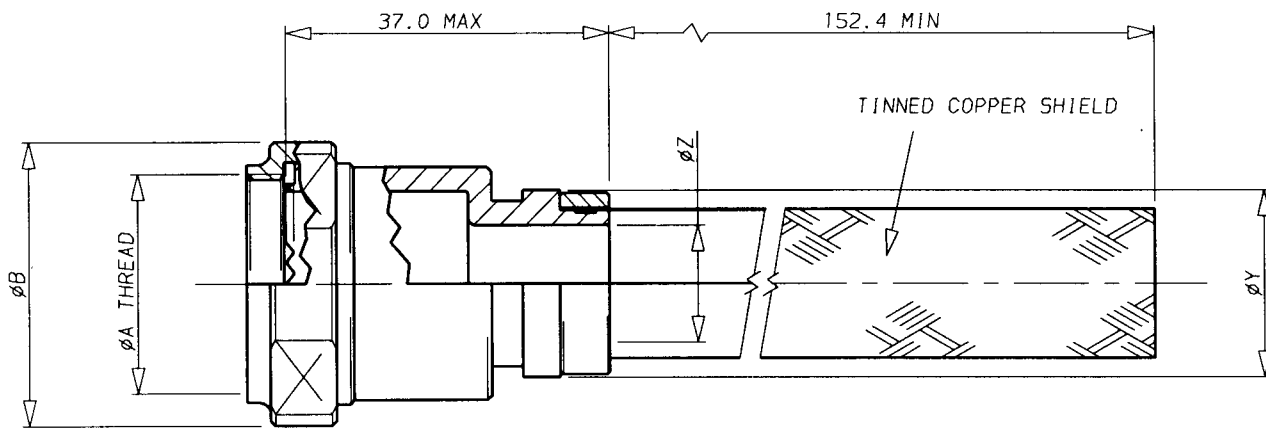
THIS DRAWING AND THE INFORMATION SET FORTH HEREON ARE THE PROPERTY OF RAYCHEM AND ARE TO BE HELD IN TRUST AND CONFIDENCE. PUBLICATION, DUPLICATION, DISCLOSURE OR USE FOR ANY OTHER PURPOSE NOT EXPRESSLY AUTHORISED IN WRITING BY RAYCHEM IS PROHIBITED.

TITLE  
ADAPTOR, SHIELDED, STRAIGHT,  
CODE 79

DRAWN	IRT	DATE NOV 97
CHECKED	KJW	NOV 97
APPROVED	KJW	NOV 97
PROJECT NO	B5072	

CODE IDENT NUMBER	DRAWING NUMBER 229M1**	ISSUE N/C
06090	SHEET 1 OF 2	

ISSUE	DESCRIPTION	DRAWN	DATE	APPR
N/C		IRT	MAR 97	KJW



TINEL-LOCK TERMINATION

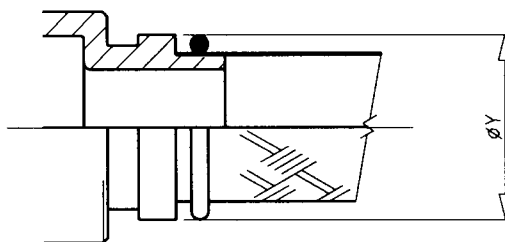


TABLE I

BASE PART NUMBER	SHELL SIZE (5)	MAX ENTRY SIZE	ØA THREAD RH CLASS 2B	ØB MAX
229M108	8	05	0.4375"-28 UNEF	19.3
229M110	10	07	0.5625"-24 UNEF	21.3
229M112	12	08	0.6875"-24 UNEF	24.3
229M114	14	10	0.8125"-20 UNEF	29.2
229M116	16	12	0.9375"-20 UNEF	30.8
229M118	18	14	1.0625"-18 UNEF	33.8
229M120	20	16	1.1875"-18 UNEF	38.5
229M122	22	18	1.3125"-18 UNEF	38.5
229M124	24	20	1.4375"-18 UNEF	42.5

TABLE II

ENTRY SIZE	ØZ ±0.50	ØY MIN
03	4.75	9.98
04	6.35	11.58
05	7.95	13.08
06	9.55	14.76
07	11.10	16.33
08	12.70	17.91
09	14.30	17.91
10	15.90	21.11
11	17.50	22.68
12	19.05	24.21
13	20.65	24.21
14	22.25	27.46
15	23.80	29.03
16	25.40	30.61
18	28.60	35.00
20	31.75	38.25

SPECIFICATION CONTROL DRAWING

**Raychem**

RAYCHEM LIMITED  
FARADAY ROAD  
DORCAN, SWINDON, SN3 5HH  
WILTS. ENGLAND

DO NOT SCALE  
THIS DRAWING

THIS DRAWING AND THE INFORMATION SET FORTH HEREON ARE THE PROPERTY OF RAYCHEM AND ARE TO BE HELD IN TRUST AND CONFIDENCE. PUBLICATION, DUPLICATION, DISCLOSURE OR USE FOR ANY OTHER PURPOSE NOT EXPRESSLY AUTHORISED IN WRITING BY RAYCHEM IS PROHIBITED.

TITLE

ADAPTOR, SHIELDED, STRAIGHT,  
CODE 79

DRAWN	IRT	DATE MAR 97
CHECKED	KJW	MAR 97
APPROVED	KJW	MAR 97
PROJECT NO	85072	

CODE IDENT  
NUMBER  
06090

DRAWING NUMBER  
229M1\*\*

ISSUE  
N/C

SHEET 2 OF 2

229M15CD-2

# Mouser Electronics

Authorized Distributor

Click to View Pricing, Inventory, Delivery & Lifecycle Information:

[TE Connectivity:](#)

[CN2152-000](#)