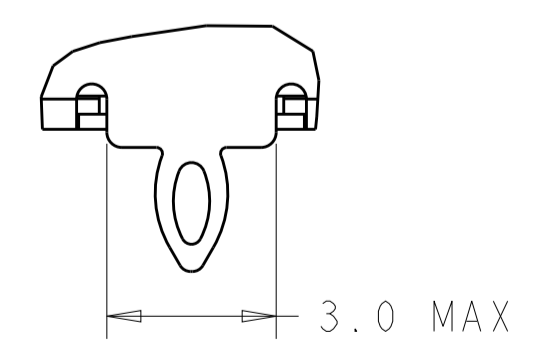
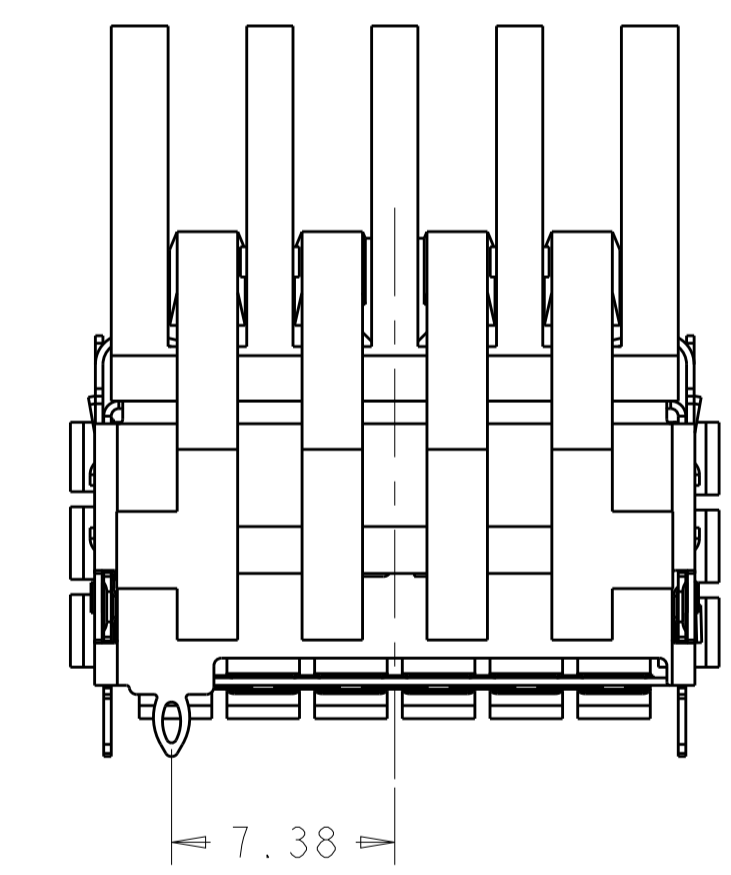
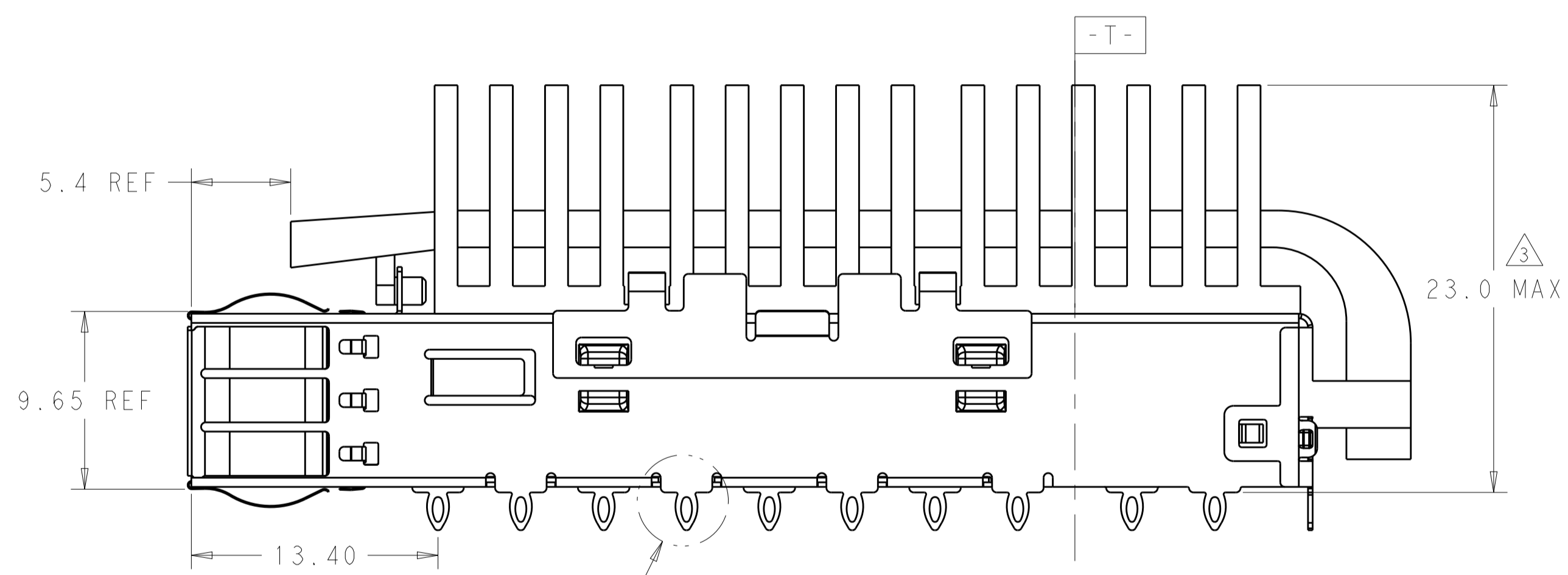
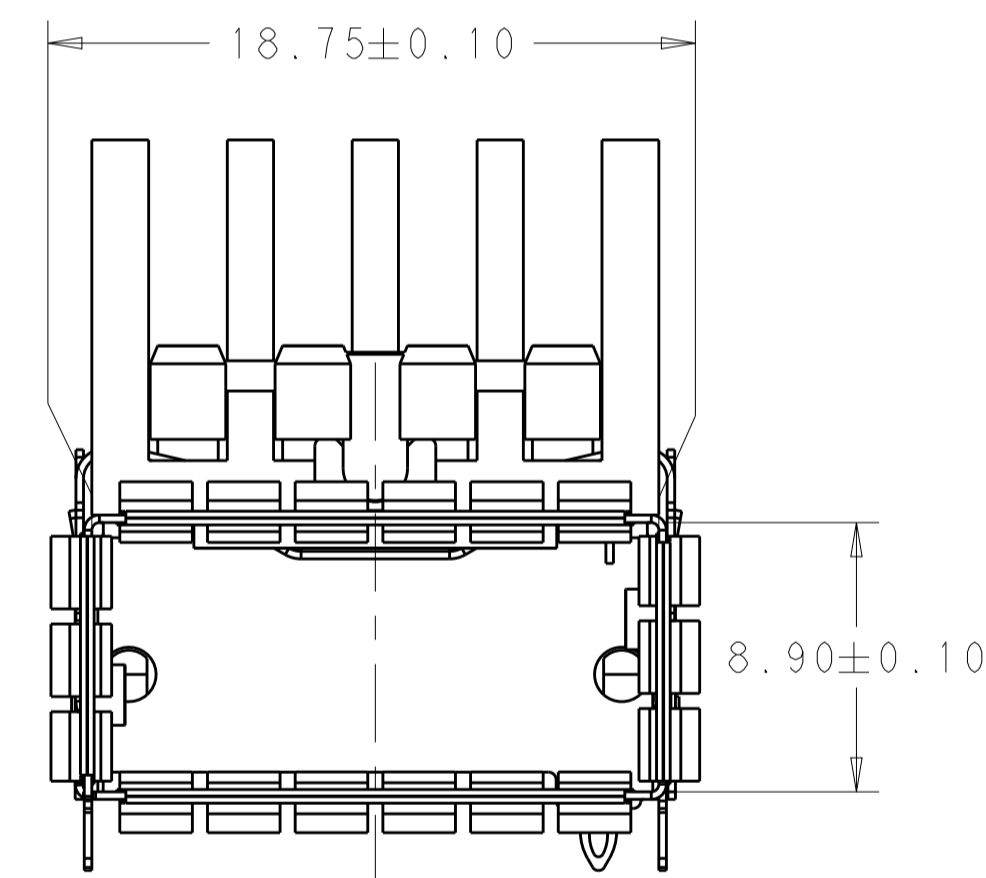
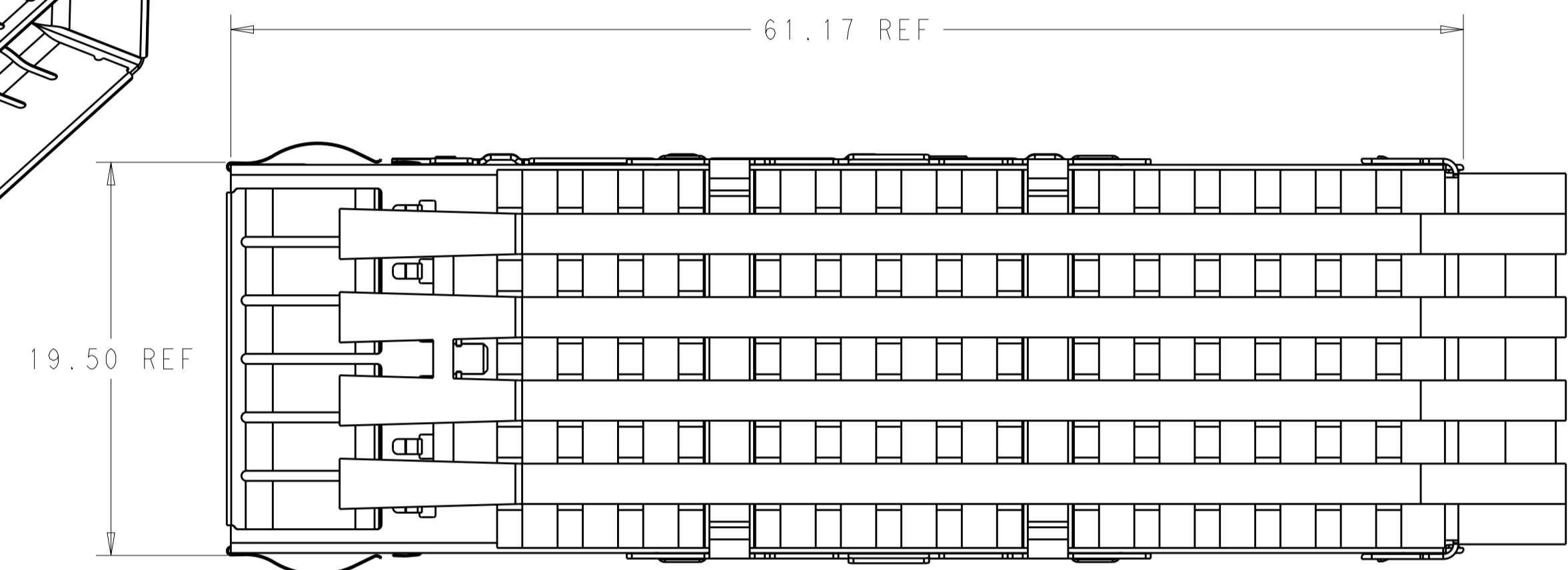
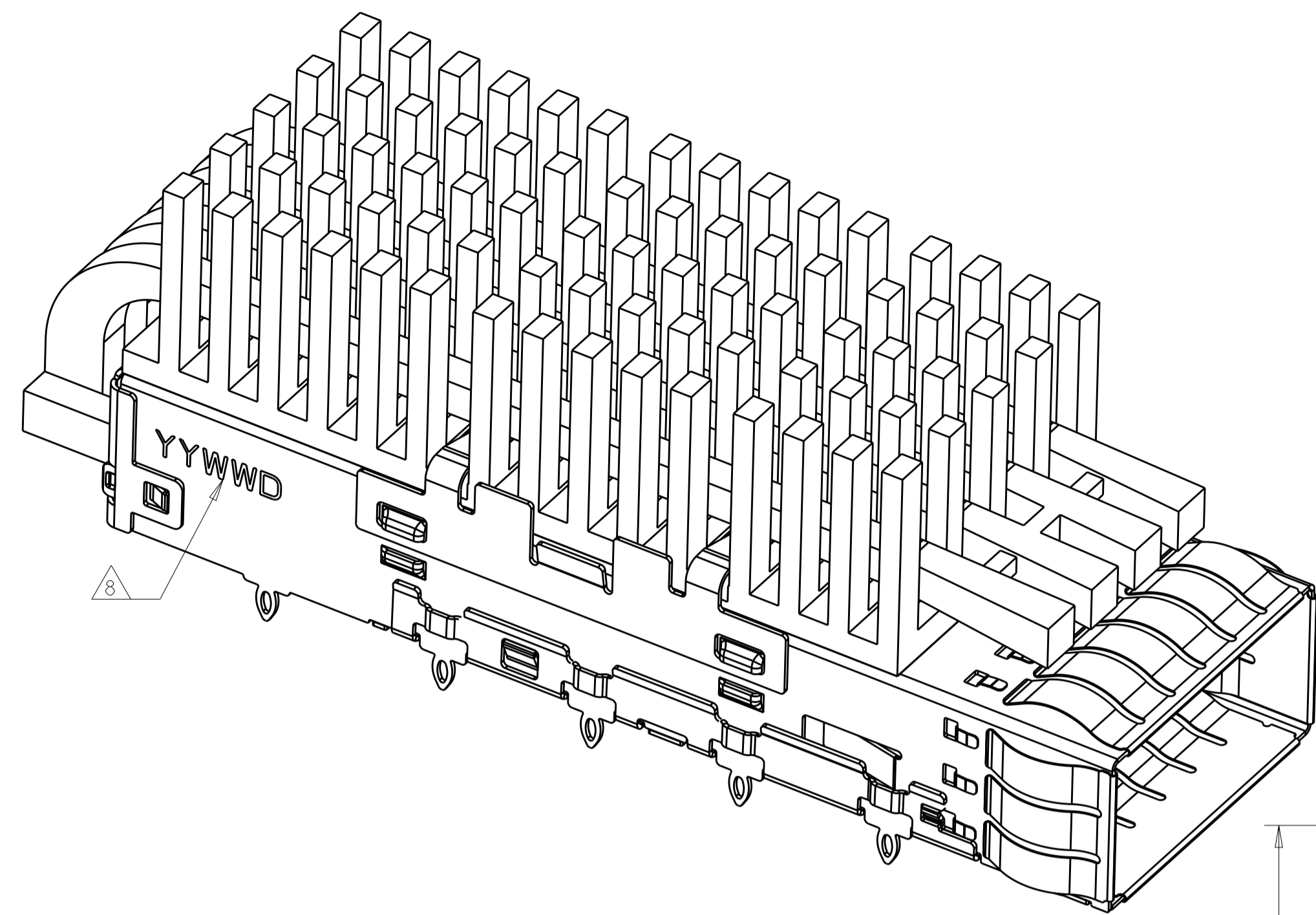
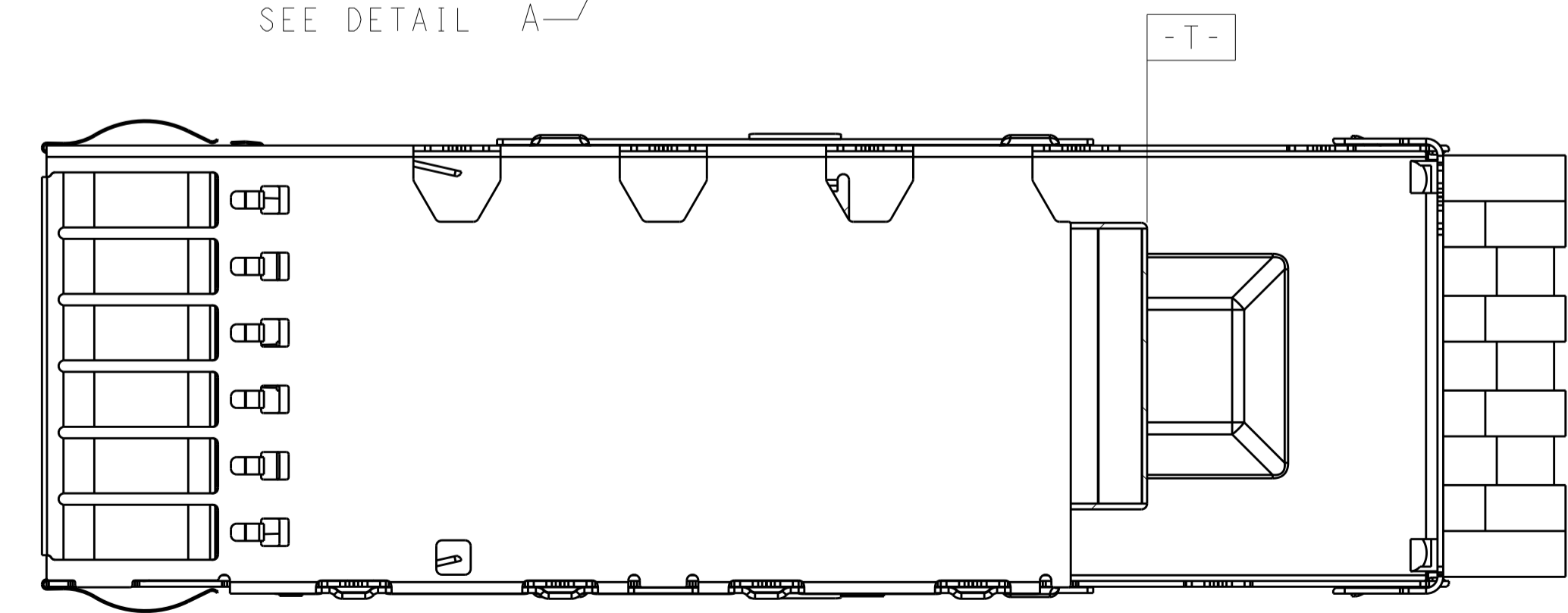


LOC		DIST		REVISIONS			
		P	LTN	DESCRIPTION	DATE	DWN	APVD
		A		RELEASE	01NOV2016	JY	SH



DETAIL A
SCALE 8:1



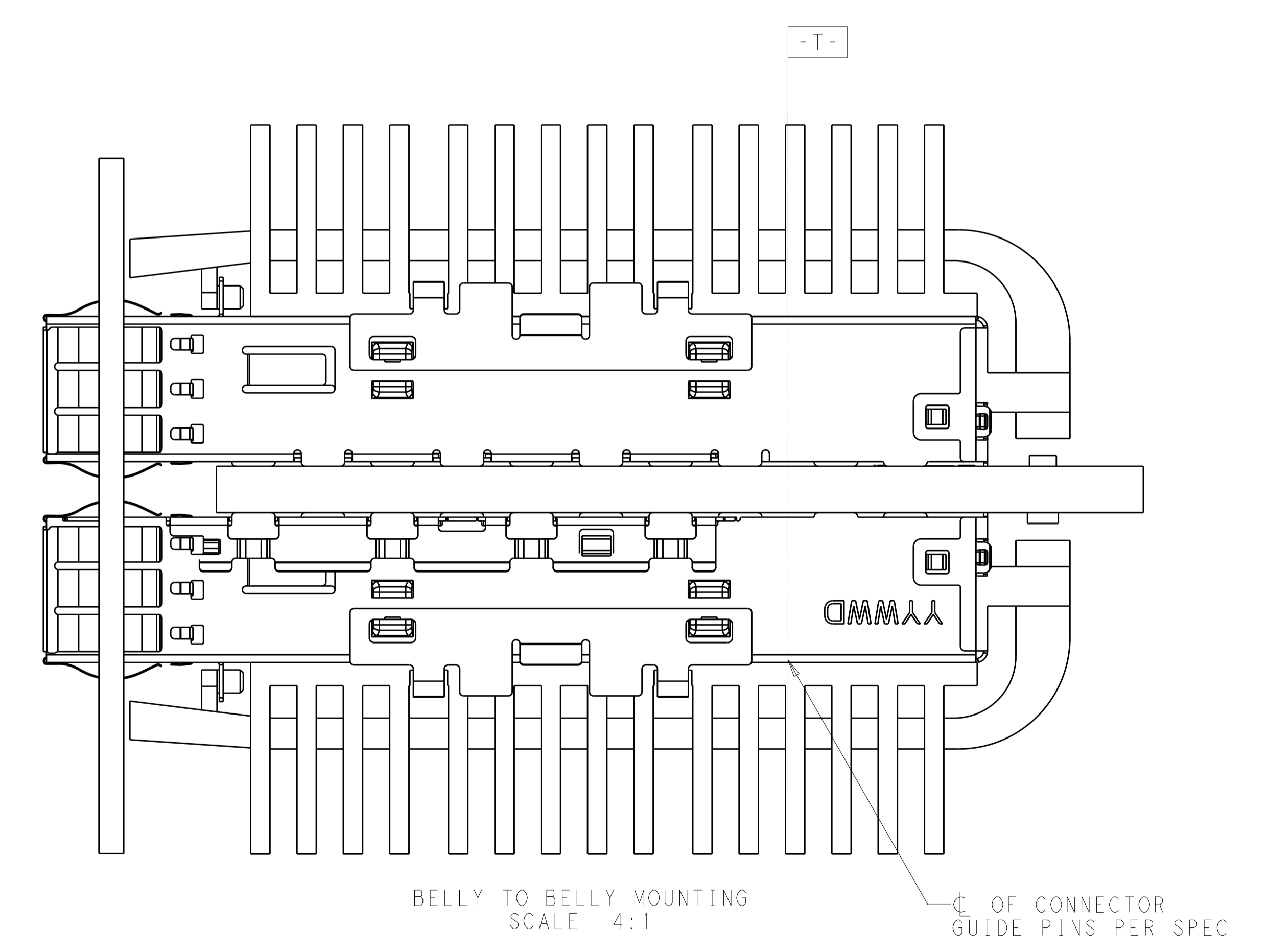
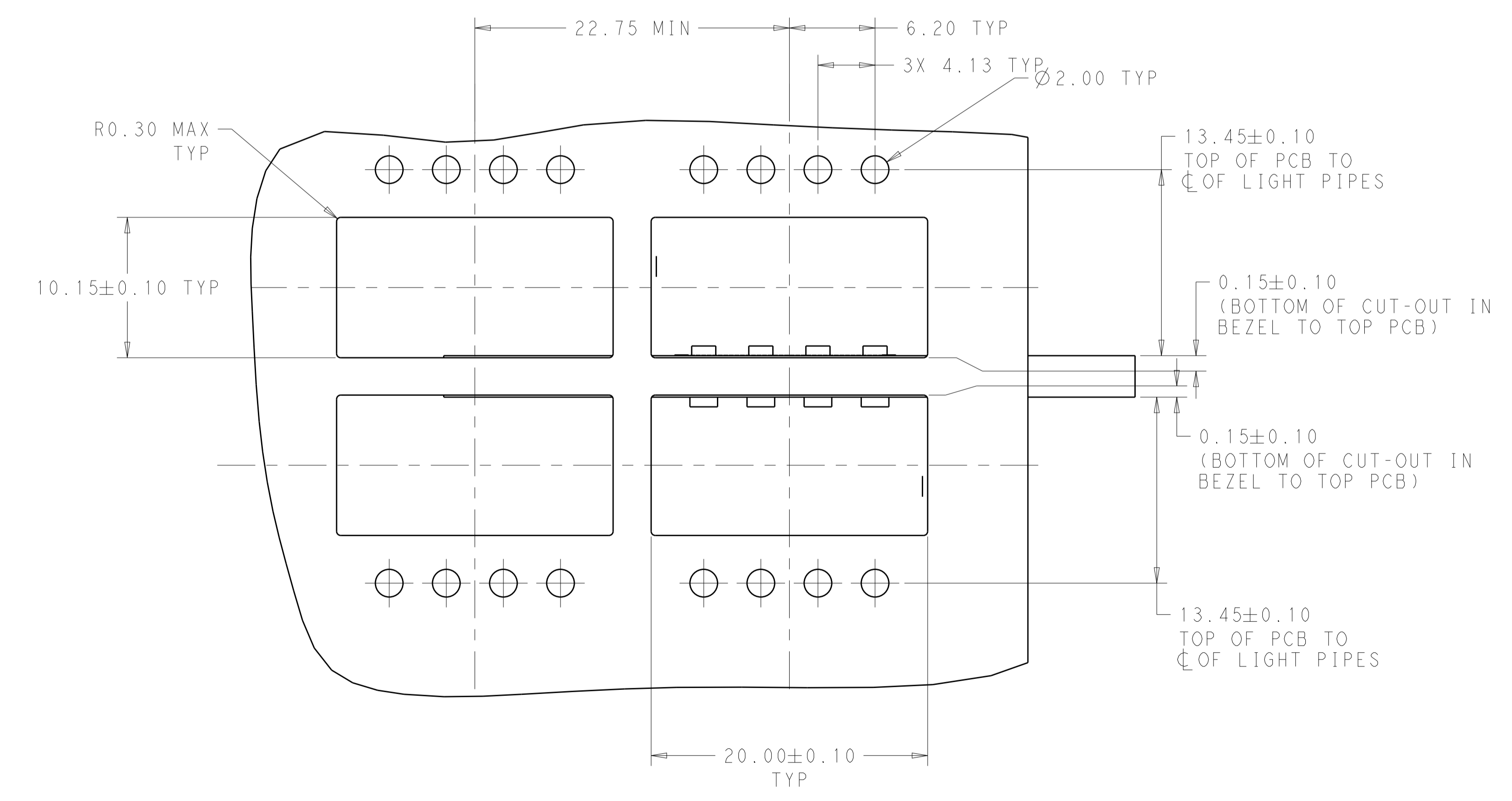
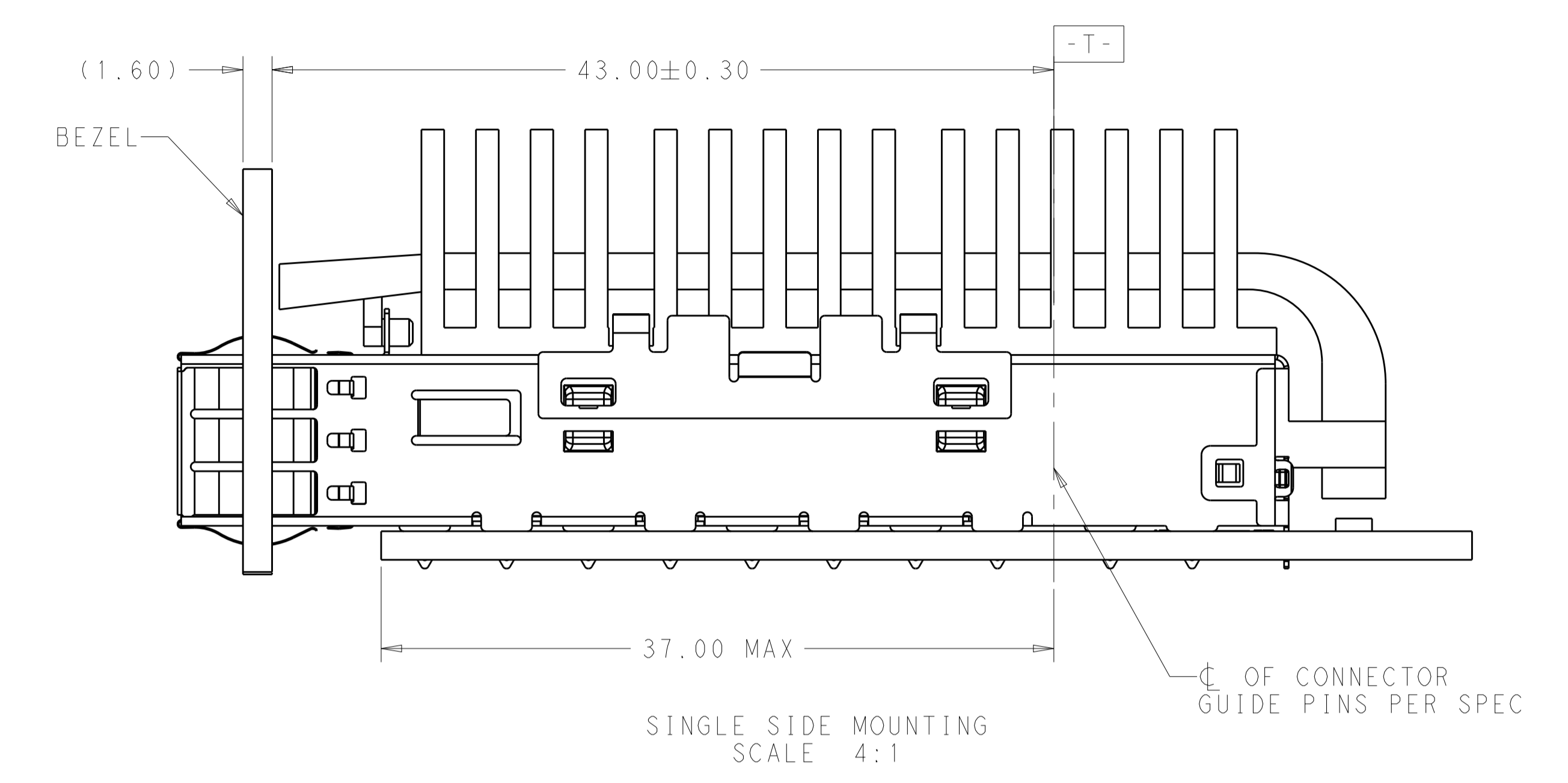
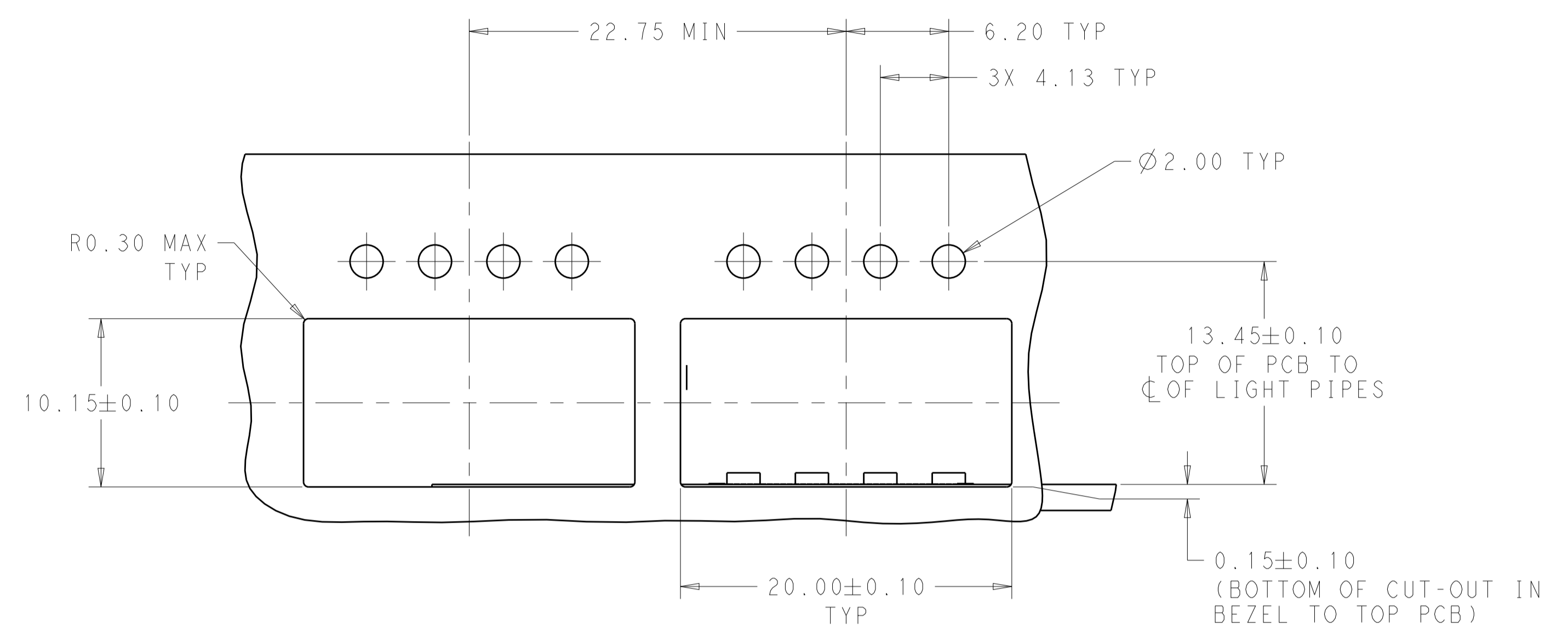
- MATERIAL:
 CAGE MATERIAL : 0.25 THICK NICKEL SILVER.
 SPRING MATERIAL : COPPER ALLOY
 HEAT SINK MATERIAL : ALUMINUM
 CLIP MATERIAL : STAINLESS STEEL
 LIGHT PIPE MATERIAL : POLYCARBONATE WITH 94 V-0
- FINISH:
 SPRING: NICKEL PLATING
 HEAT SINK: BLACK ANODIZE
- DIMENSION APPLIES WITH MODULE INSTALLED IN THE CAGE TO TOP OF HEAT SINK.
- REFERENCE APPLICATION SPEC 114-32023 FOR RECOMMENDED DRILL HOLE DIAMETER AND PLATING THICKNESS.
- DATUM AND BASIC DIMENSIONS ESTABLISHED BY CUSTOMERS.
- MINIMUM PC BOARD THICKNESS :
 SINGLE SIDED: 1.57 MIN
 DOUBLE SIDED: 2.20 MIN
- DATUM -A- IS TOP SURFACE OF THE HOST BOARD.
- DATE CODE (YYWWDD) MARKED APPROXIMATELY AS SHOWN
- MATES WITH QSFP28 MSA COMPATIBLE TRANSCEIVER.

NET WORKING	2293574-1
APPLICATION (HEAT SINK OPTION)	PART NUMBER

THIS DRAWING IS A CONTROLLED DOCUMENT.		DWN: JASON YANG 09JUN2015	TE Connectivity
DIMENSIONS: mm		CHK: SEAN HAN 09JUN2015	
TOLERANCES UNLESS OTHERWISE SPECIFIED:		APVD: MARSHALL CHEN 09JUN2015	NAME: CAGE ASSEMBLY, QSFP28, THRU BEZEL WITH EMI SPRING FINGER HEAT SINK, LIGHT PIPE SIZE: A1 CAGE CODE: 00779 DRAWING NO: C=2293574
0 PLC ±0.25 1 PLC ±0.25 2 PLC ±0.25 3 PLC ±0.25 4 PLC ±0.100 ANGLES ±°		PRODUCT SPEC: 108-19428 APPLICATION SPEC: 114-32023 WEIGHT: - FINISH: -	
MATERIAL: -		CUSTOMER DRAWING	RESTRICTED TO: -
SCALE: 2:1		SHEET: 1 OF 4	REV: A

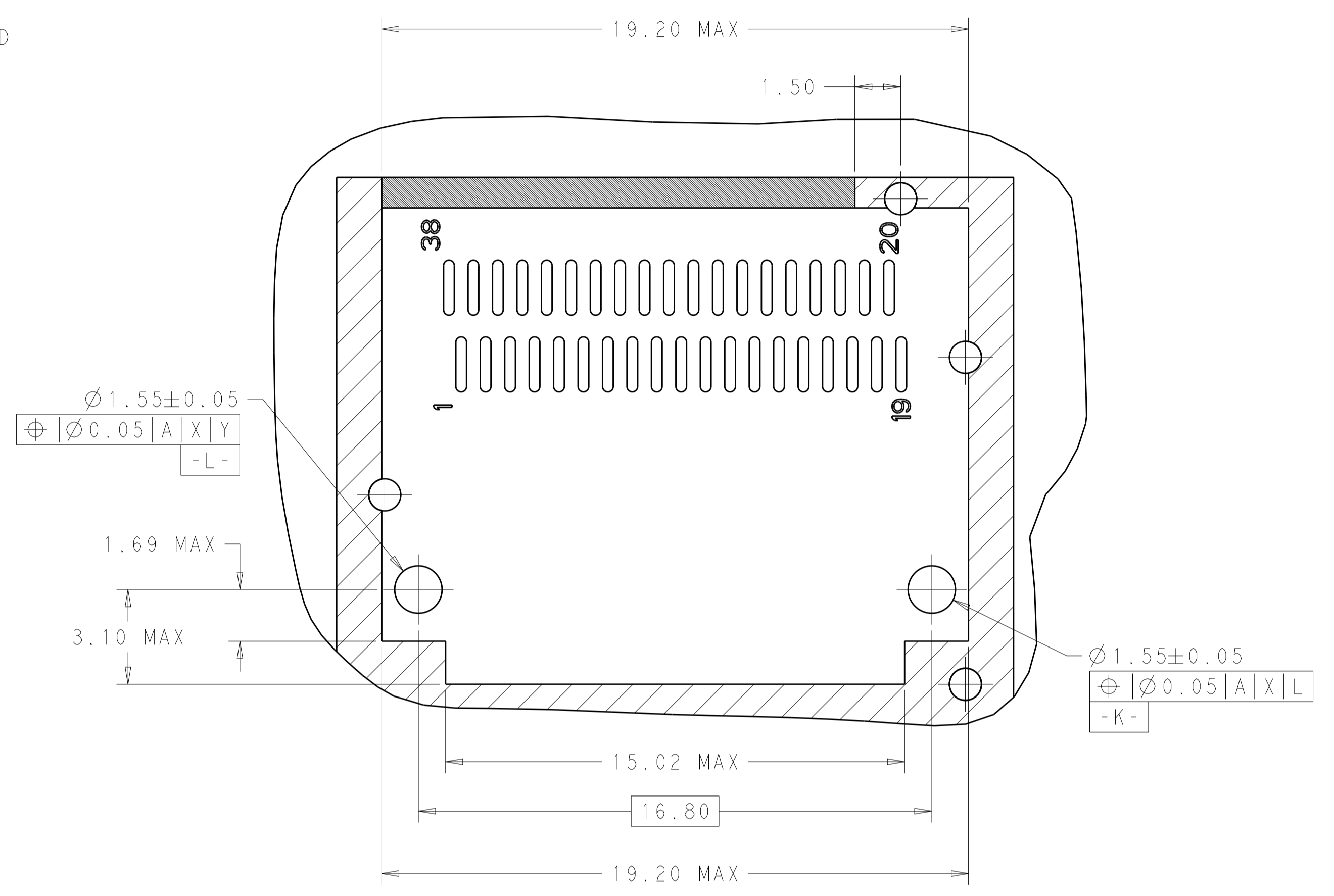
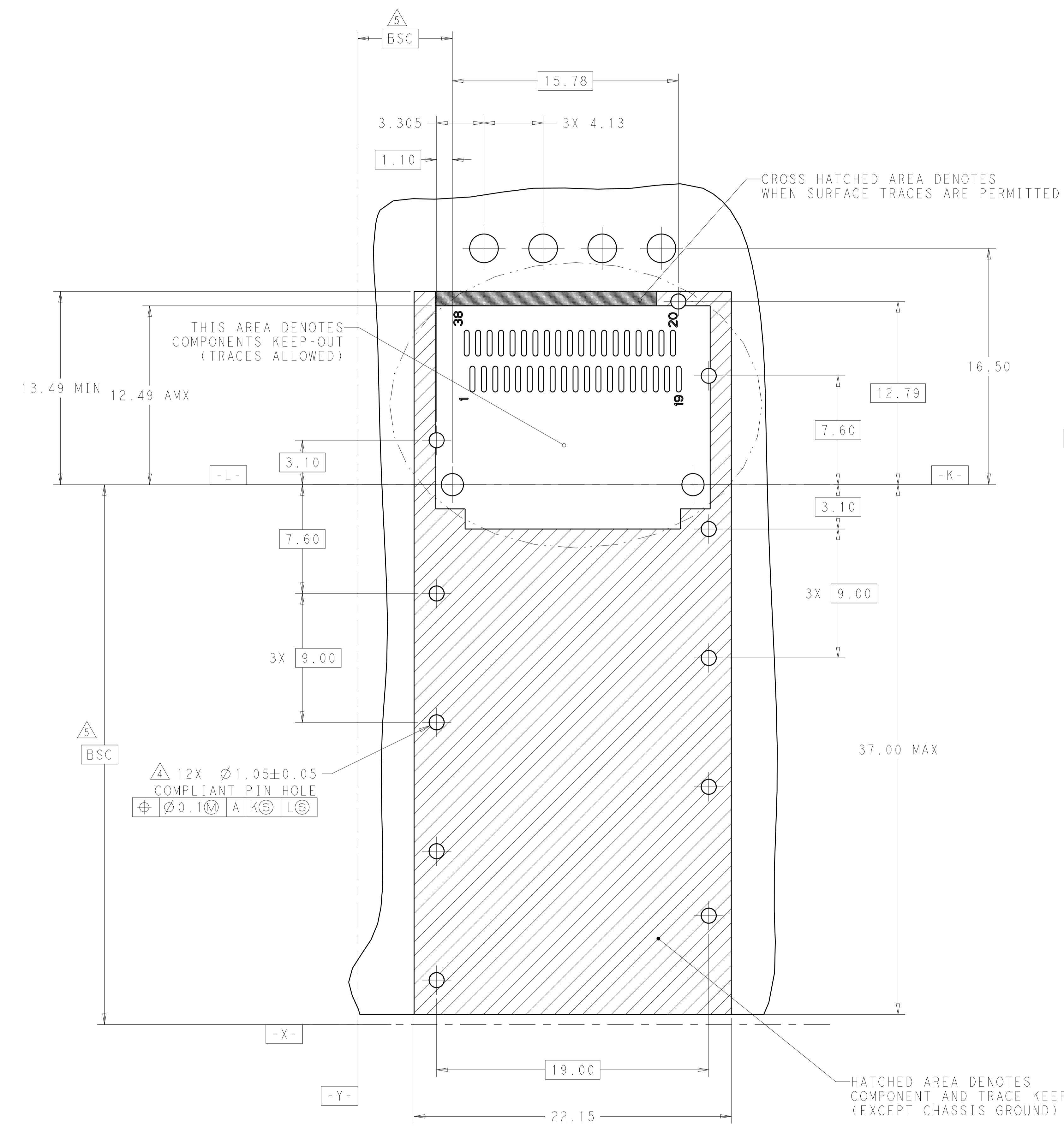
LOC	DIST	REV	DATE	BY	APPV
		1			

REVISIONS		DATE	BY	APPV
P	LTN			
-	SEE SHEET 1	-	-	-



THIS DRAWING IS A CONTROLLED DOCUMENT.		OWN: JASON YANG 09JUN2015	TE Connectivity
DIMENSIONS: mm		CHK: SEAN HAN 09JUN2015	
TOLERANCES UNLESS OTHERWISE SPECIFIED:		APV: MARSHALL CHEN 09JUN2015	NAME: CAGE ASSEMBLY, QSFP28, THRU BEZEL WITH EMI SPRING FINGER HEAT SINK, LIGHT PIPE
0 PLC	± 0.25	PRODUCT SPEC	SIZE: CAGE CODE DRAWING NO
1 PLC	± 0.25	APPLICATION SPEC	RESTRICTED TO
2 PLC	± 0.20	114-32023	A100779
3 PLC	± 0.100	WEIGHT	C=2293574
4 PLC	\pm	CUSTOMER DRAWING	SCALE 2:1 SHEET 2 OF 4 REV A
ANGLES	\pm		
FINISH			

LOC	DIST	REV	DATE	BY	APPV
		1			



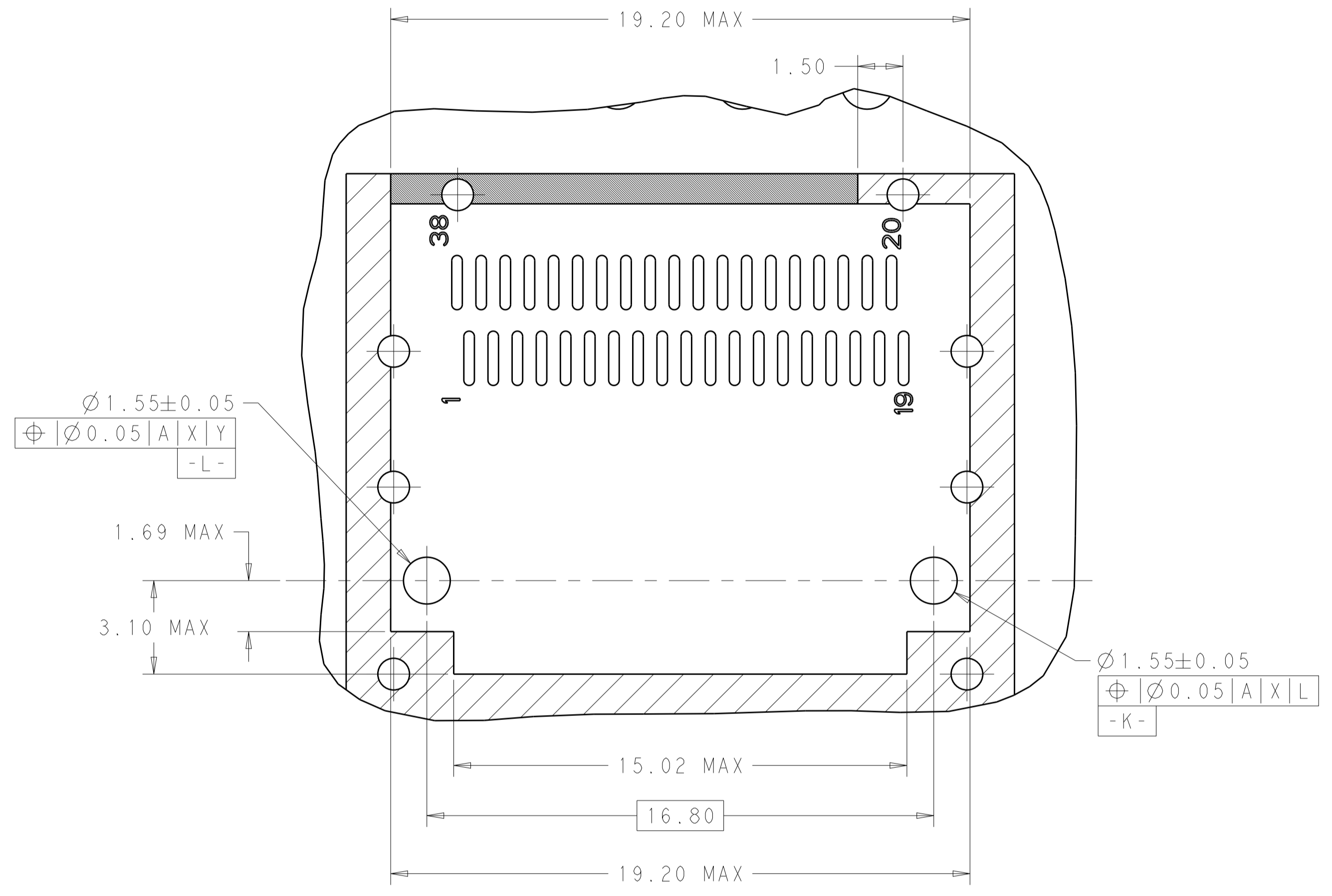
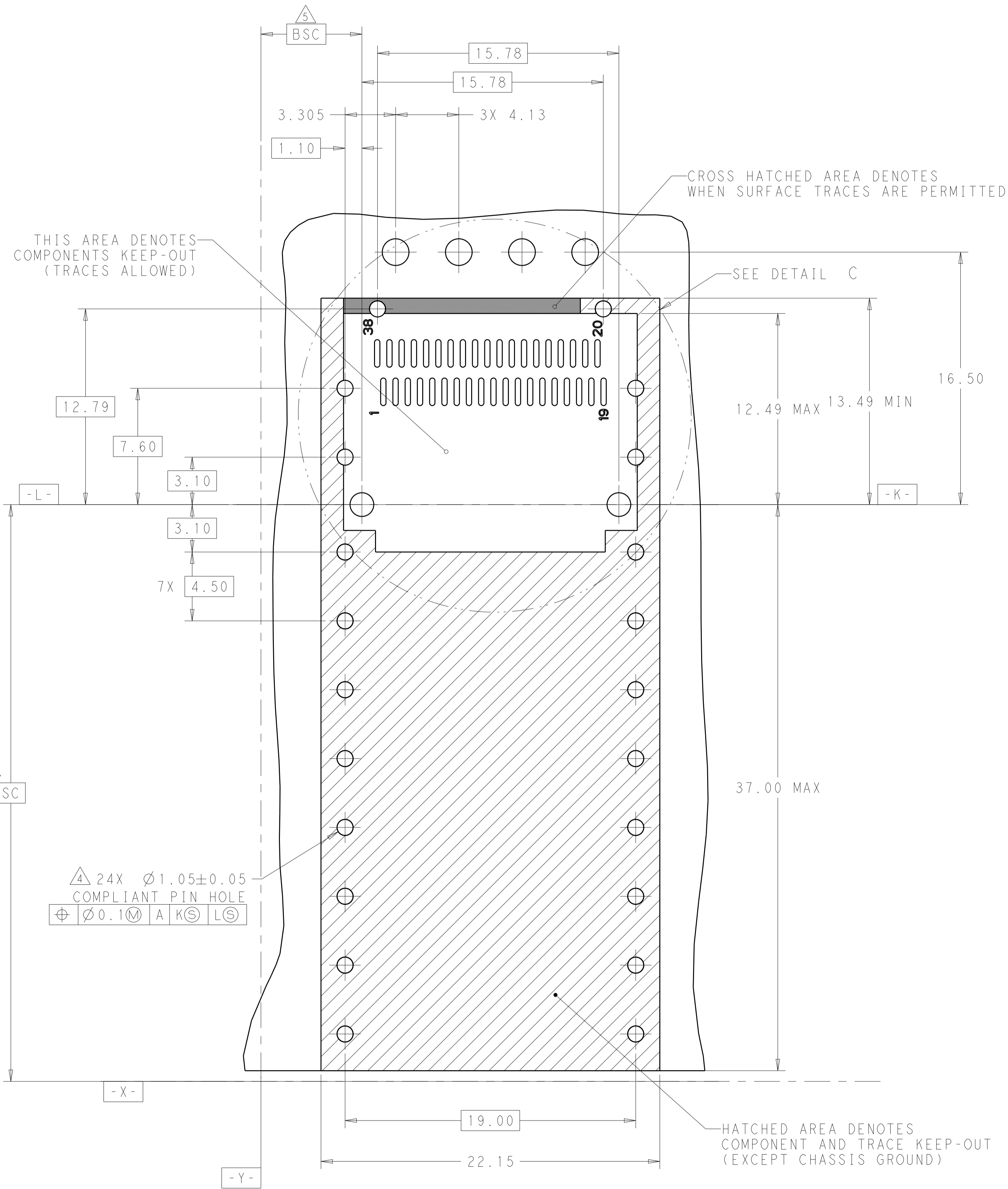
DETAIL B
SCALE 8:1

RECOMMENDED PCB LAYOUT
 SINGLE TYPE OF 2 REAR HOLES OF LEGS
 PCB TOLERANCE: ±0.05
 SCALE 6:1

12X Ø1.05±0.05
 COMPLIANT PIN HOLE
 Ø 0.1 | M | A | K | S | L | S

THIS DRAWING IS A CONTROLLED DOCUMENT.		DWN: JASON YANG 09JUN2015	TE Connectivity
DIMENSIONS: mm		CHK: SEAN HAN 09JUN2015	
TOLERANCES UNLESS OTHERWISE SPECIFIED:		APVD: MARSHALL CHEN 09JUN2015	NAME: CAGE ASSEMBLY, QSPF28, THRU BEZEL WITH EMI SPRING FINGER HEAT SINK, LIGHT PIPE
0 PLC ±0.25	1 PLC ±0.25	PRODUCT SPEC: 108-19428	SIZE: A100779
2 PLC ±0.20	3 PLC ±0.100	APPLICATION SPEC: 114-32023	CAGE CODE: C=2293574
4 PLC ±0.100	ANGLES ±°	WEIGHT: -	RESTRICTED TO: -
MATERIAL: -	FINISH: -	CUSTOMER DRAWING	SCALE: 2:1 SHEET 3 OF 4 REV A

LOC		DIST		REVISIONS			
P	LTR	DESCRIPTION	DATE	DMN	APVD		
-	-	SEE SHEET 1	-	-	-	-	-



RECOMMENDED PCB LAYOUT
 BELLY TO BELLY TYPE OF 2 REAR HOLES OF LEGS
 PCB TOLERANCE: ±0.05
 SCALE 6:1

THIS DRAWING IS A CONTROLLED DOCUMENT.		DMN: JASON YANG 09JUN2015	 TE Connectivity
DIMENSIONS: mm		CHK: SEAN HAN 09JUN2015	
TOLERANCES UNLESS OTHERWISE SPECIFIED: 0 PLC ±0.25 1 PLC ±0.25 2 PLC ±0.20 3 PLC ±0.100 4 PLC ± ANGLES ±°		NAME: MARSHALL CHEN PRODUCT SPEC: 108-19428 APPLICATION SPEC: 114-32023 WEIGHT:	
MATERIAL: FINISH:		APVD: MARSHALL CHEN 09JUN2015 SIZE: A100779 CAGE CODE: C=2293574 CUSTOMER DRAWING	
SCALE 2:1 SHEET 4 OF 4 REV A			RESTRICTED TO:

Mouser Electronics

Authorized Distributor

Click to View Pricing, Inventory, Delivery & Lifecycle Information:

[TE Connectivity:](#)

[2293574-1](#)