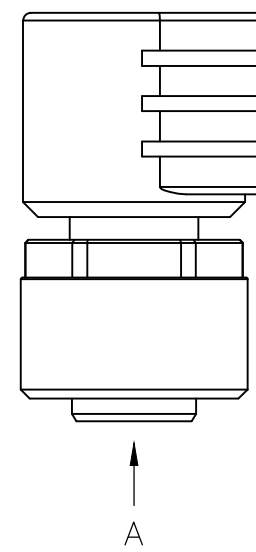
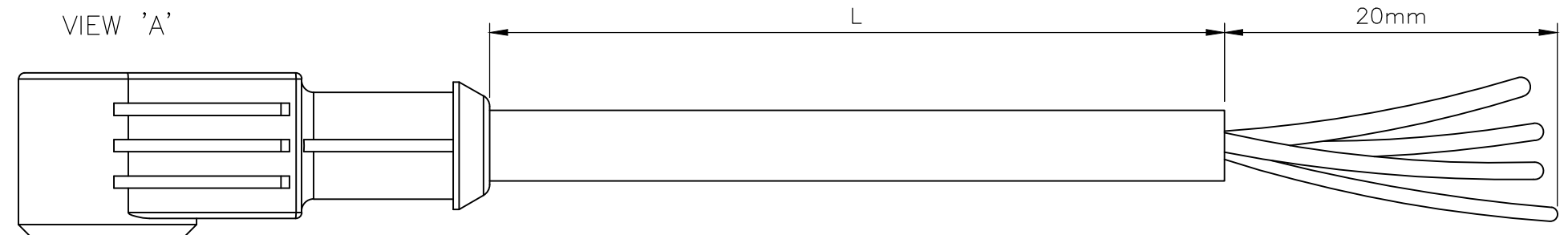
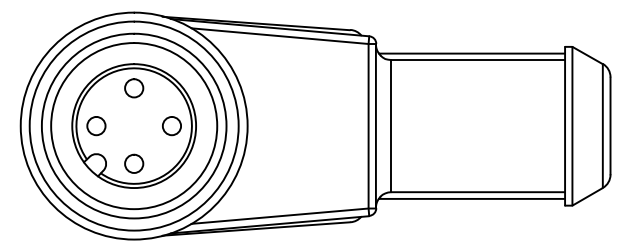


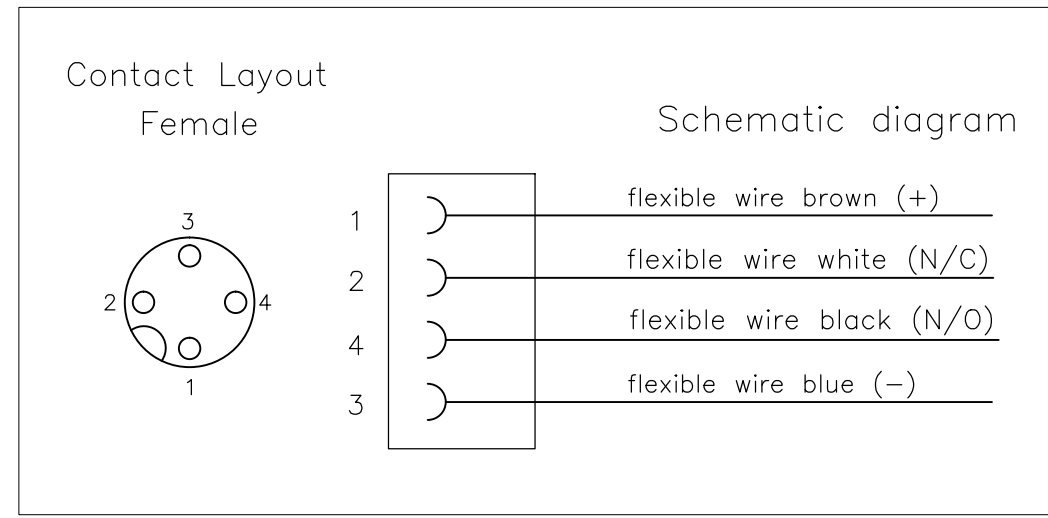
THIS DRAWING IS UNPUBLISHED. RELEASED FOR PUBLICATION
 © COPYRIGHT - By - ALL RIGHTS RESERVED.

| P | LTR | DESCRIPTION | DATE | DWN | APVD |
|---|-----|---------------|-----------|-----|------|
| | B | ECR-15-018514 | 21DEC2015 | TB | BvH |
| | B1 | ECR-16-003945 | 16MAR2016 | GSK | BvH |
| | B2 | ECR-17-005498 | 17APR2017 | GSK | TCC |

NOTES:
 Tolerances cable lengths:
 0m to 0.5m +30mm
 0.5m to 1.0m +50mm
 1.0m to 3.0m +100mm
 < 3.0m +1.5%



| PVC CABLE | |
|----------------------------|--------------------------|
| No./diameter of wires | 4 x 0.34 mm ² |
| Wire isolation | PVC (br, wh, bl, bk) |
| C-track properties | |
| Jacket | PVC (UL/CSA) |
| Outer diameter | approx. 5.0 mm |
| Bend radius (moving) | 10 x outer diameter |
| Temperature range (fixed) | -30...+80 °C |
| Temperature range (mobile) | -5...+80 °C |



| TECHNICAL DATA | |
|-------------------------------|---|
| Protection | IP65 and IP67 when plugged and screwed down (EN 60529) |
| Operating voltage | 24 V AC/DC |
| Operating current per contact | max. 4 A |
| Locking of ports | Screw thread M12 x 1 mm (recommended torque 0.6 Nm) self-securing |

| LENGTH "L" | MATERIAL | JACKET COLOR | TE PN | DESCRIPTION | ITEM |
|------------|----------|--------------|-------------|-------------------|------|
| 4 pos | PVC | Black | 1-2273083-4 | 4x22AWG PVC 10.0m | 8 |
| | | | 1-2273083-3 | 4x22AWG PVC 5.0m | 7 |
| | | | 1-2273083-2 | 4x22AWG PVC 3.0m | 6 |
| | | | 1-2273083-1 | 4x22AWG PVC 1.5m | 5 |
| 4 pos | PUR | Black | 2273083-4 | 4x22AWG PUR 10.0m | 4 |
| | | | 2273083-3 | 4x22AWG PUR 5.0m | 3 |
| | | | 2273083-2 | 4x22AWG PUR 3.0m | 2 |
| | | | 2273083-1 | 4x22AWG PUR 1.5m | 1 |

| PUR CABLE | |
|----------------------------|--------------------------|
| No./diameter of wires | 4 x 0.34 mm ² |
| Wire isolation | PVC (br, wh, bl, bk) |
| C-track properties | |
| Jacket | PUR/PVC (UL/CSA) |
| Outer diameter | approx. 5.9 mm |
| Bend radius (moving) | 15 x outer diameter |
| Temperature range (fixed) | -30...+80 °C |
| Temperature range (mobile) | -5...+70 °C |

THIS DRAWING IS A CONTROLLED DOCUMENT.

| | | | |
|----------------|---|--------------------------------|--|
| DIMENSIONS: mm | TOLERANCES UNLESS OTHERWISE SPECIFIED: | DWN SATHISH KUMAR .G 26NOV2013 | TE Connectivity M12 X 1.0 ANGLED SOCKET PIGT A |
| | 0 PLC ± - 1 PLC ± - 2 PLC ± - 3 PLC ± - 4 PLC ± - ANGLES ± - | CHK B.VELDHOVEN 26NOV2013 | |
| | | APVD A.VAN ZANDVOORT 26NOV2013 | |
| MATERIAL | FINISH | PRODUCT SPEC 108-19483 | |

CUSTOMER DRAWING SCALE NTS SHEET 1 OF 1 REV B2

Mouser Electronics

Authorized Distributor

Click to View Pricing, Inventory, Delivery & Lifecycle Information:

[TE Connectivity:](#)

[1-2273083-3](#)