

THIS DRAWING IS UNPUBLISHED. RELEASED FOR PUBLICATION 20  
 © COPYRIGHT 20 BY - ALL RIGHTS RESERVED.

REVISIONS					
P	LTR	DESCRIPTION	DATE	DWN	APVD
A		RELEASED PER ECO-15-013901	21SEP2015	RLK	MM
B		REVISED PER ECO-16-007344	08JUN2016	RLK	MM
C		REVISED PER ECO-17-003145	11MAR2017	RLK	MM

1 MATERIAL:  
 CONNECTOR HOUSING: UL94 V-0 RATED THERMOPLASTIC, COLOR: WHITE  
 LATCH: THERMOPLASTIC, COLOR: BLACK  
 CABLE JACKET: THERMOPLASTIC ELASTOMER, COLOR: BLACK  
 CABLE CONDUCTORS: COPPER ALLOY  
 CONNECTOR CONTACTS: BRASS ALLOY

2 FINISH:  
 CONNECTOR CONTACTS: SILVER OVER NICKEL

3 CHARGING CABLE: TE CONNECTIVITY PROPRIETARY  
 UL LISTING: TYPE EVE  
 CABLE COLOR, LENGTH AND WIRE TERMINATIONS ARE FULLY CUSTOMIZABLE

4. EV CONNECTOR TECHNICAL PARAMETERS:  
 CURRENT, 32A, VOLTAGE, 240 VAC  
 INGRESS PROTECTION, IP66  
 STATIC RESISTANCE  
 (FROM PROX. DETECTION TO GROUND) 150ohm  
 RESISTANCE WILL INCREASE TO 480ohm WHEN LATCH IS DEPRESSED

5. THIS PRODUCT IS DESIGNED IN ACCORDANCE WITH SAE INTERNATIONAL SPECIFICATION J1772

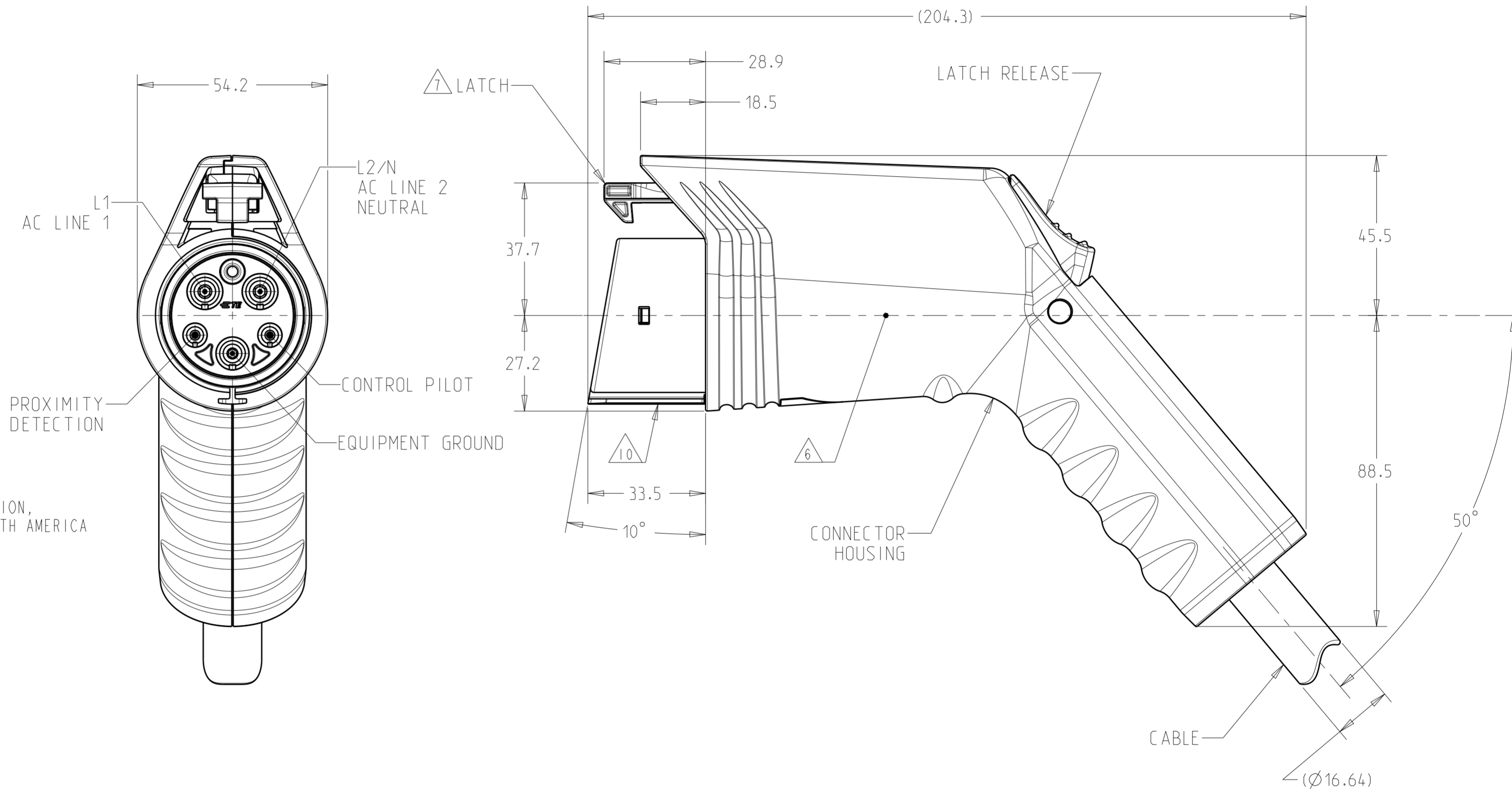
6 CENTER LINE OF VEHICLE INLET

7 LATCH IS SHOWN IN LOCKED POSITION

8. THIS PRODUCT IS RoHS COMPLIANT

9. UL RECOGNITION UNDER E349950

10 THE FOLLOWING INFORMATION IS MARKED ON THE CONNECTOR KEY: TE LOGO, TE PART NUMBER, REVISION, DATE CODE (YYWW) AND UL COMPONENT MARK IN NORTH AMERICA



3	7.62m (25 FT)	2267185-4
	6.1m (20 FT)	2267185-3
	4.6m (15 FT)	2267185-2
	3.05m (10 FT)	2267185-1
CABLE	CABLE LENGTH	PART NUMBER

THIS DRAWING IS A CONTROLLED DOCUMENT.		DWN RL KOLLER 21OCT2014	<b>STE</b> TE Connectivity	
DIMENSIONS: mm		CHK M. MERCURIO 23APR2015		
TOLERANCES UNLESS OTHERWISE SPECIFIED:		APVD G. DEFI BAUGH 25SEP2015	NAME EV CONNECTOR ASSEMBLY 16mm CABLE, UL, WHITE	
0 PLC ± 1 PLC ±0.4 2 PLC ± 3 PLC ± 4 PLC ±		PRODUCT SPEC 108-32100	SIZE A2	
ANGLES ±2° FINISH		APPLICATION SPEC -	CAGE CODE 00779	DRAWING NO C-2267185
MATERIAL - 1		WEIGHT -	RESTRICTED TO -	
		Customer Drawing		SCALE 1:1 SHEET OF REV C

# Mouser Electronics

Authorized Distributor

Click to View Pricing, Inventory, Delivery & Lifecycle Information:

[TE Connectivity:](#)

[2267185-2](#)