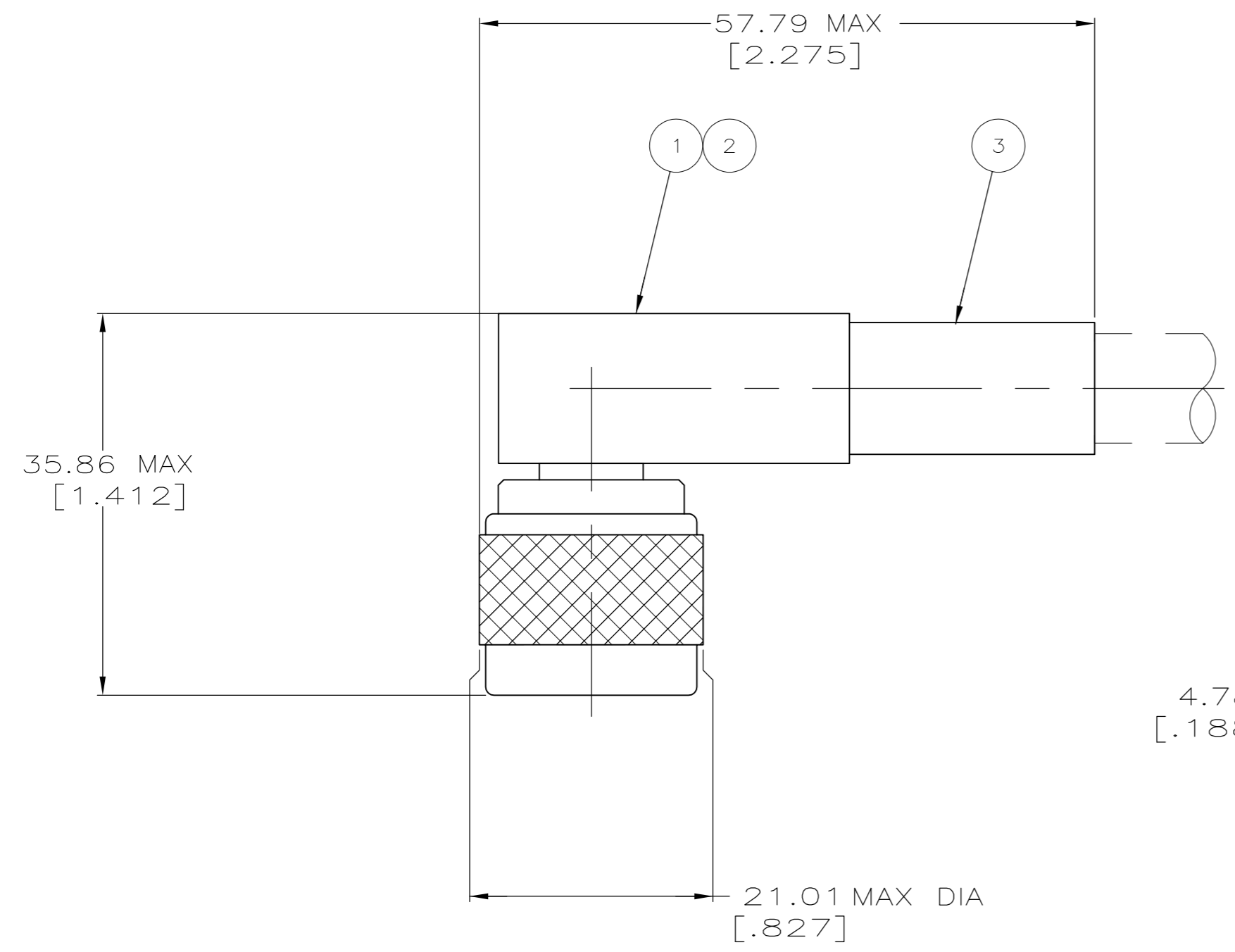
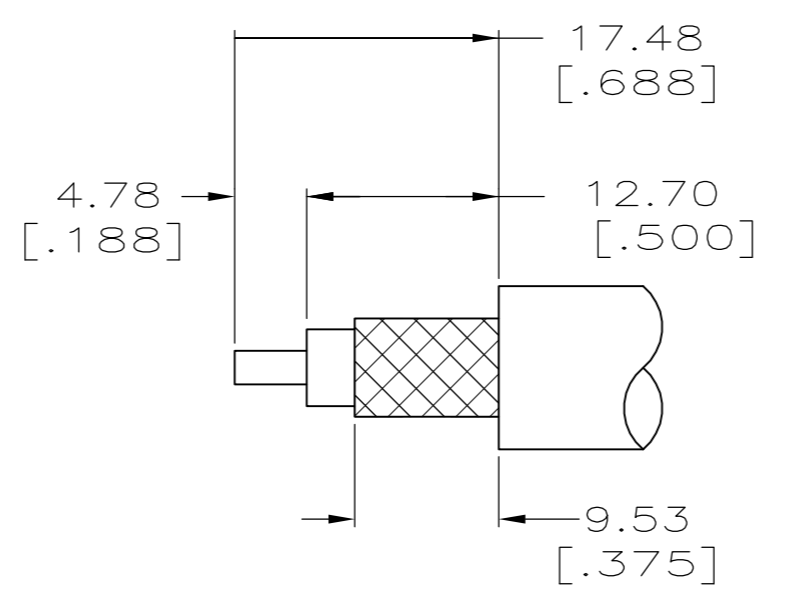


THIS DRAWING IS UNPUBLISHED. RELEASED FOR PUBLICATION
 © COPYRIGHT - By - ALL RIGHTS RESERVED.

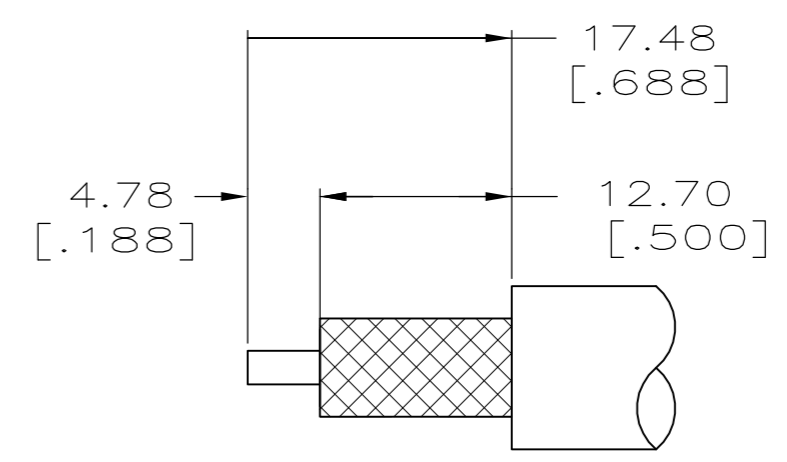
LOC		DIST		REVISIONS			
P	LTR	DESCRIPTION		DATE	DWN	APVD	
AJ	16	H		REVISED PER ECO-15-011822	24NOV15	RS	CT



- 1. USE CRIMPING TOOL 220015-1
- 2. SEE I S 2028-5



RECOMMENDED STRIP LENGTH
(FOR -2 ONLY)



RECOMMENDED STRIP LENGTH

OBSOLETE	-	-	-	-	-	1-225014-0
OBSOLETE	RG-115A/U	225014-4 AMP	51713-2	51704-2	225350-1	225014-4
	RG-214/U	00779M39012/05 B 0003 AMP & DATE CODE	9-51713-4	51704-2	225327-1	225014-3
OBSOLETE	RG-213/U	00779M39012/05 B 0002 AMP & DATE CODE	9-51713-4	51704-2	225327-1	225014-2
	CABLE SIZE	STAMPING	③ FERRULE QTY=1	② CONTACT QTY=1	① PLUG ASSY QTY=1	PART NUMBER

THIS DRAWING IS A CONTROLLED DOCUMENT.

DWN	NIK FRITZ	8-3-90
CHK	M. SNEED	1-21-90
APVD	-	-
PRODUCT SPEC	108-12019	
APPLICATION SPEC	-	
WEIGHT	-	-
CUSTOMER DRAWING	SCALE 4:1	SHEET 1 of 1

TE Connectivity
 PLUG, RIGHT ANGLE, SERIES N

SIZE A2 CAGE CODE 00779 DRAWING NO. 225014 RESTRICTED TO -

Mouser Electronics

Authorized Distributor

Click to View Pricing, Inventory, Delivery & Lifecycle Information:

[TE Connectivity:](#)

[225014-3](#)