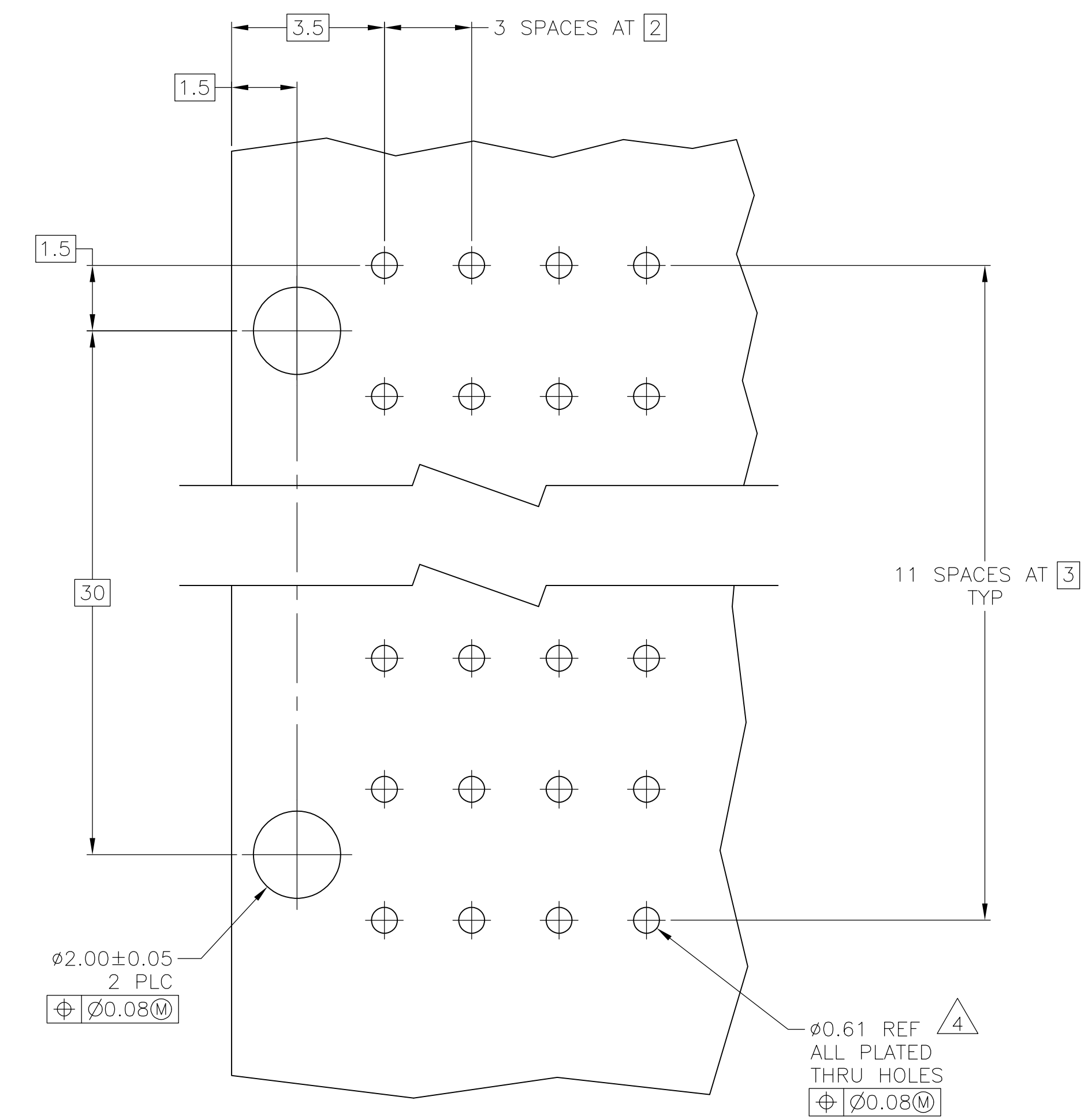
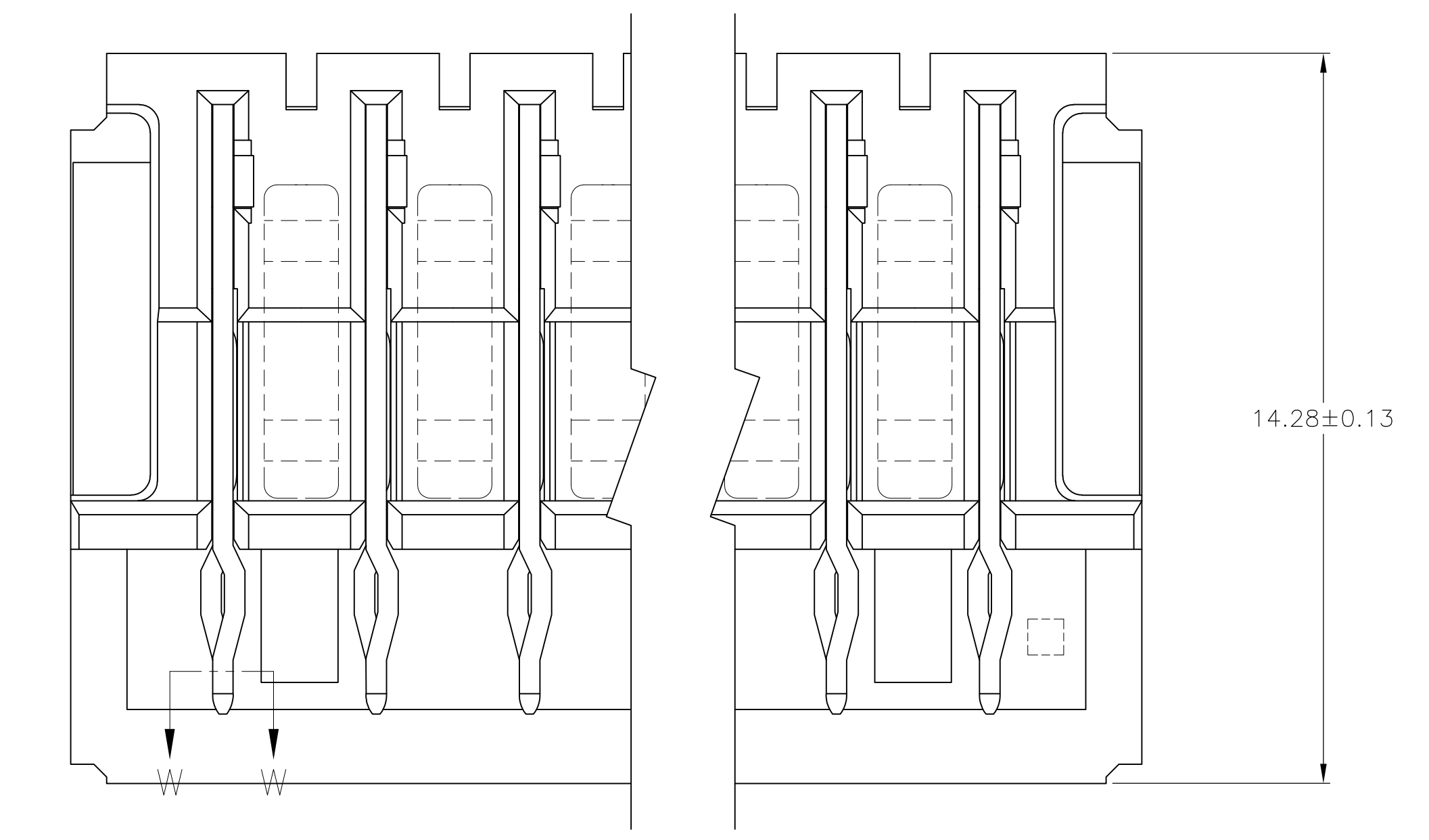
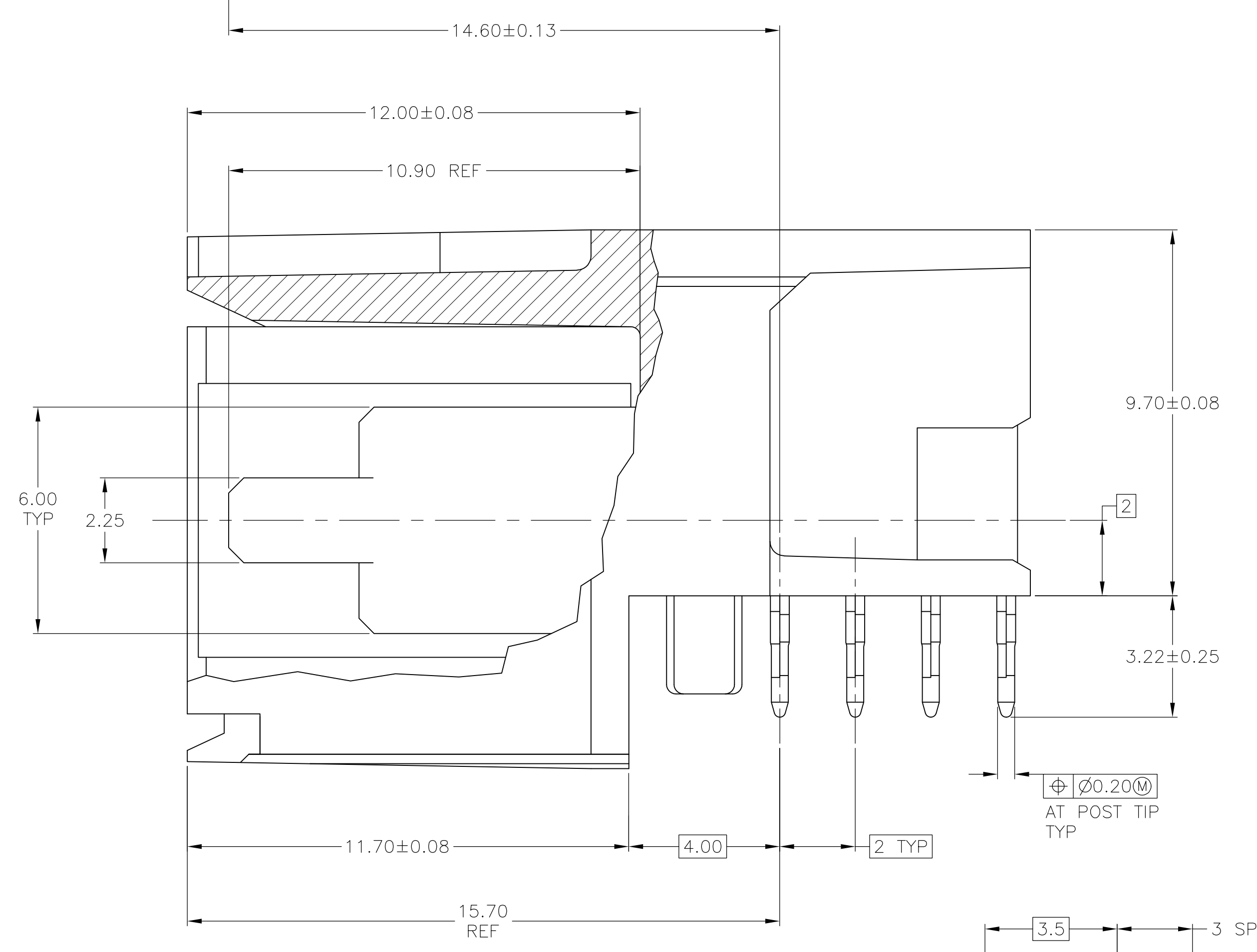
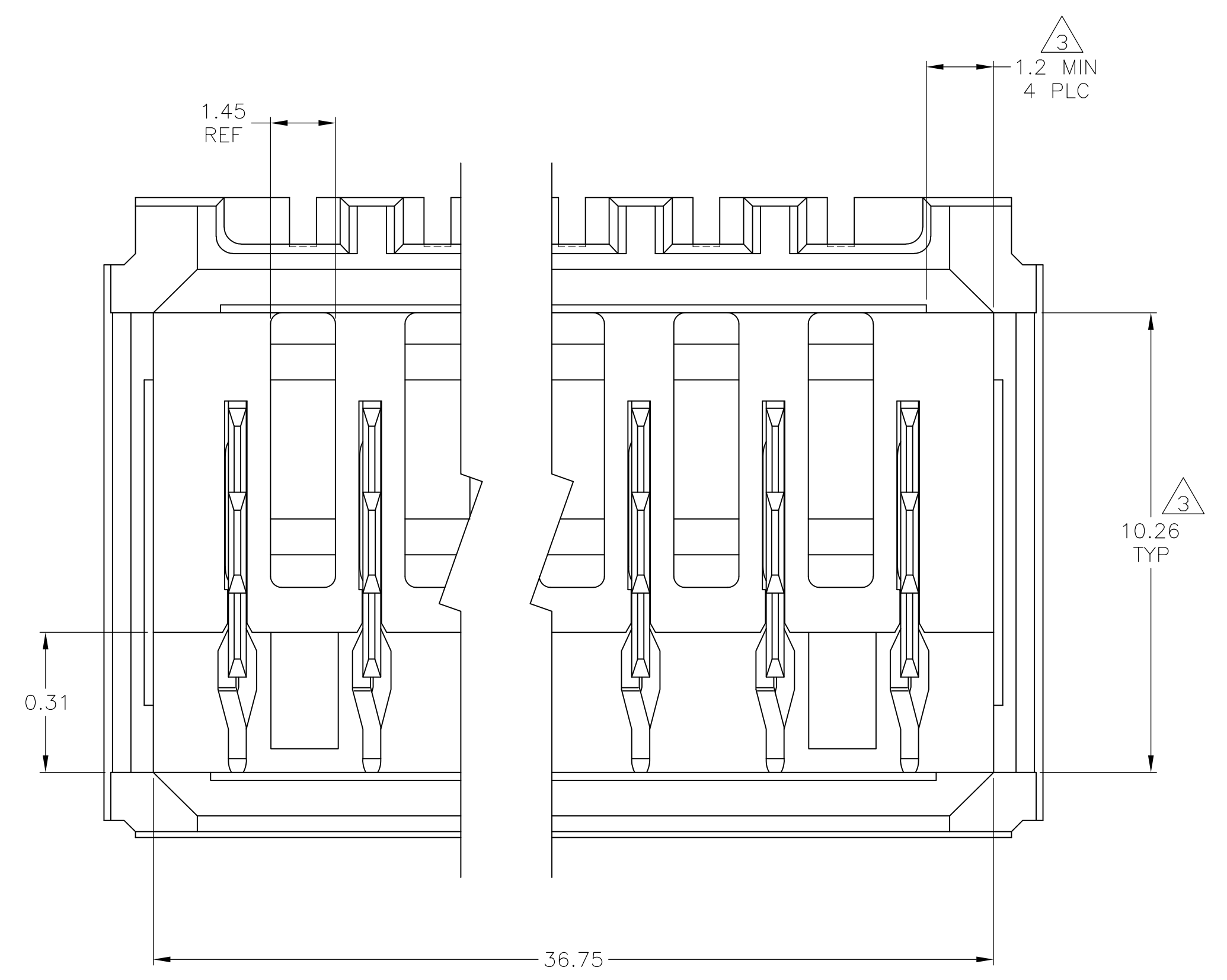


- 1 MATERIAL: HOUSING: POLYESTER. COLOR: GRAY. UL 94V-0. CONTACT: PHOSPHOR BRONZE.
- 2 FINISH: CONTACT MATING AREA: 1.27 μ m MIN GOLD OR 0.08 μ m MIN GOLD OVER 0.76 μ m MIN PALLADIUM-NICKEL. ACTION PIN AREA: 0.5 μ m MIN TIN LEAD PLATE, ALL OVER 1.27 μ m MIN NICKEL UNDERPLATE.
- 3 THE 10.26 \pm 0.13 DIMENSION APPLIES IN THIS AREA.
- 4 REFERENCE APPLICATION SPEC 114-1103 FOR RECOMMENDED PLATED THRU HOLE DIAMETER AND PLATING THICKNESS.
- 5. CURRENT RATING 10A/CONTACT PER PRODUCT SPEC 108-1651.



RECOMMENDED PCB HOLE LAYOUT

223996-1
PART NUMBER

THIS DRAWING IS A CONTROLLED DOCUMENT.		DATE	12/8/99	Tyco Electronics Corporation Harrisburg, PA 17105-3608
DRAWN BY: L. BRINER		DATE	12/8/99	
CHECKED BY: R. PATTERSON		DATE	12/8/99	Tyco Electronics Corporation Harrisburg, PA 17105-3608
APPROVED BY: R. PATTERSON		DATE	12/8/99	
DIMENSIONS:		TOLERANCE UNLESS OTHERWISE SPECIFIED:		PRODUCT SPEC
Ø	PLC	±	0.13	APPLICATION SPEC
Ø	PLC	±	0.13	WEIGHT
Ø	PLC	±	0.13	CUSTOMER DRAWING
MATERIAL:	FINISH:	SCALE	10:1	SHEET 1 OF 1
ASSEMBLY, RIGHT ANGLE HEADER, WITH RETENTION PEGS, UNIVERSAL POWER MODULE		SIZE	A0	DRAWING NO. 223996
REVISED PER ECO-11-000045		DATE	04JAN11	REV. F

Mouser Electronics

Authorized Distributor

Click to View Pricing, Inventory, Delivery & Lifecycle Information:

[TE Connectivity:](#)

[223996-1](#)