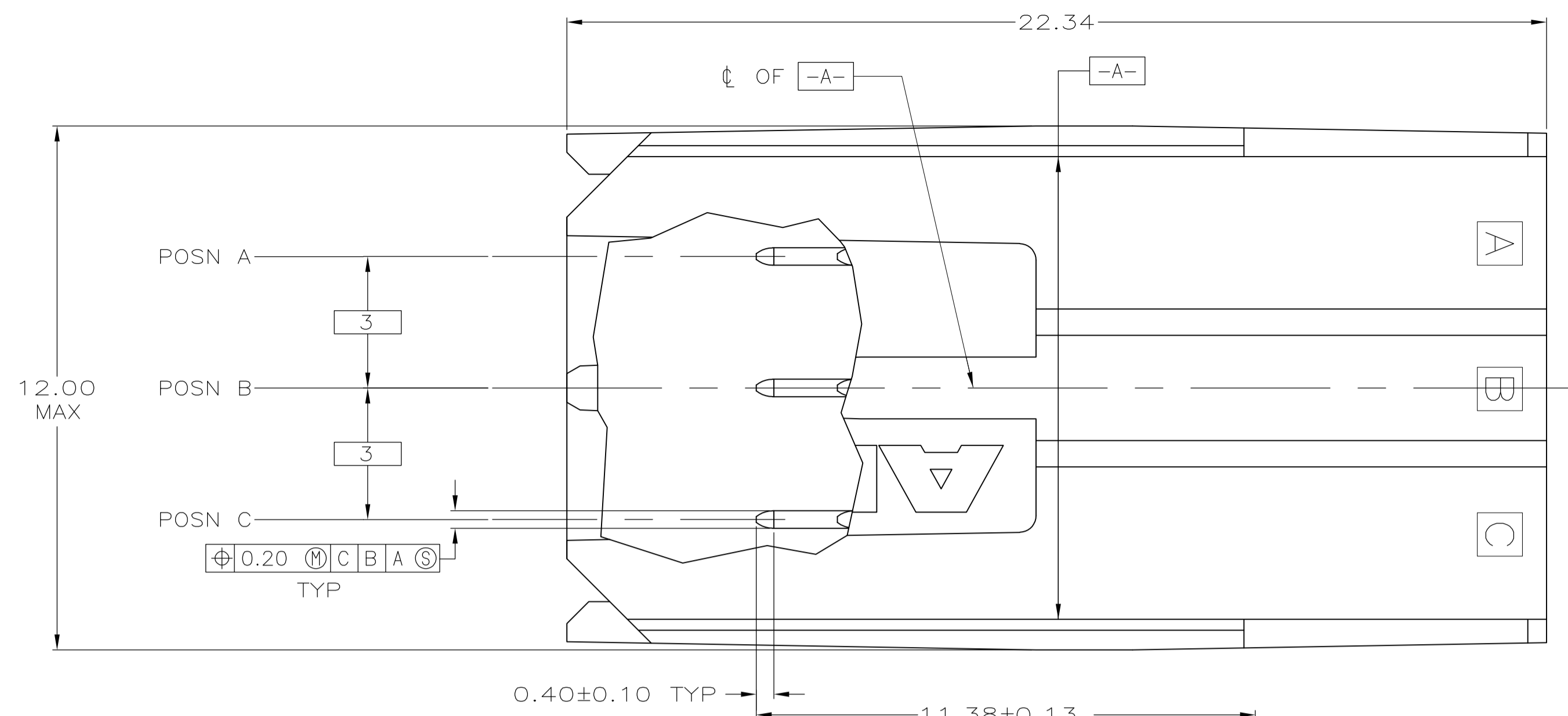
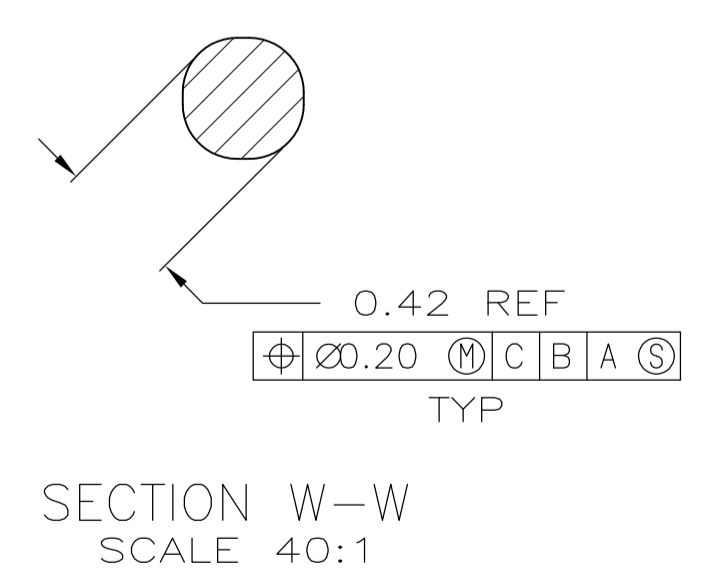
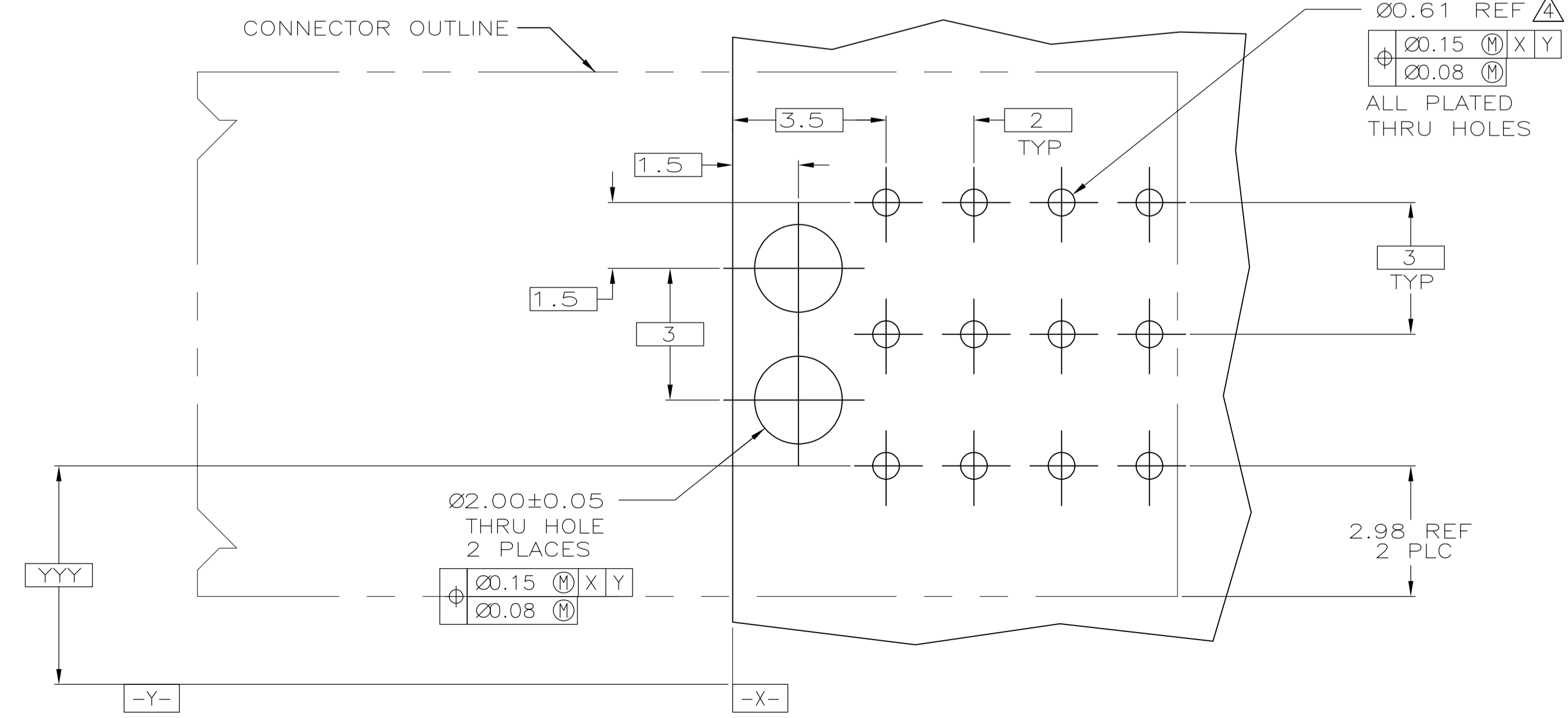
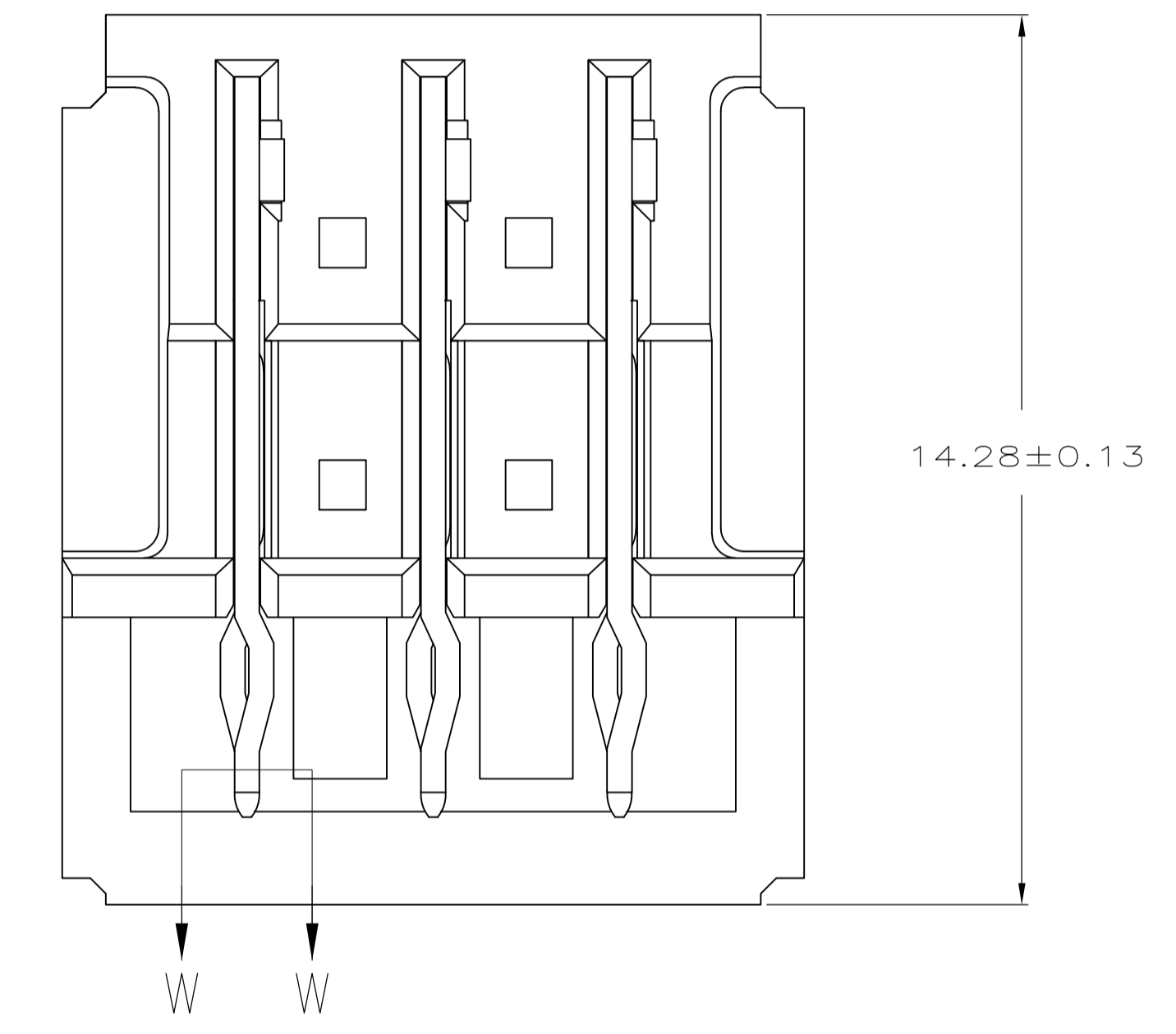
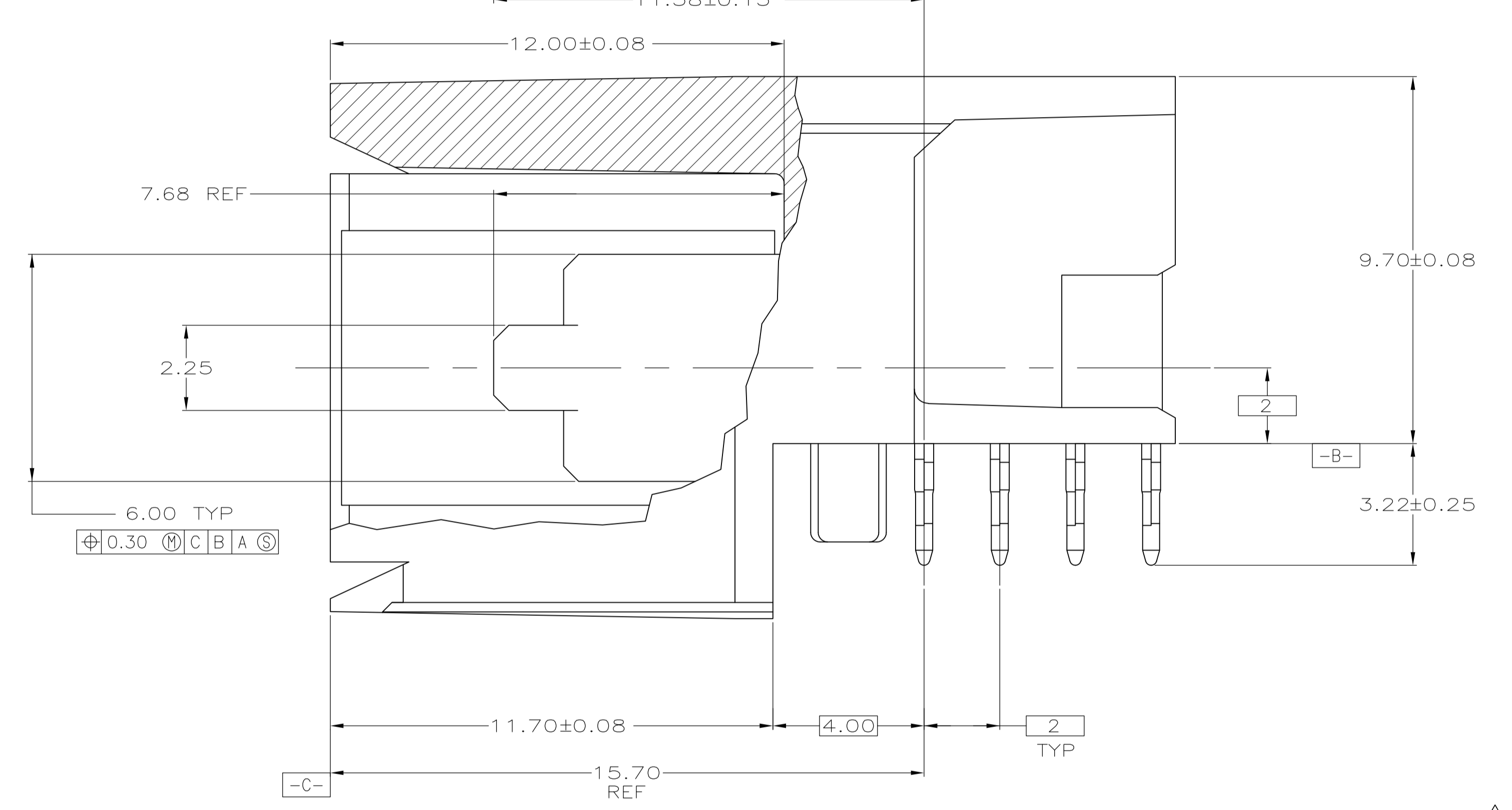
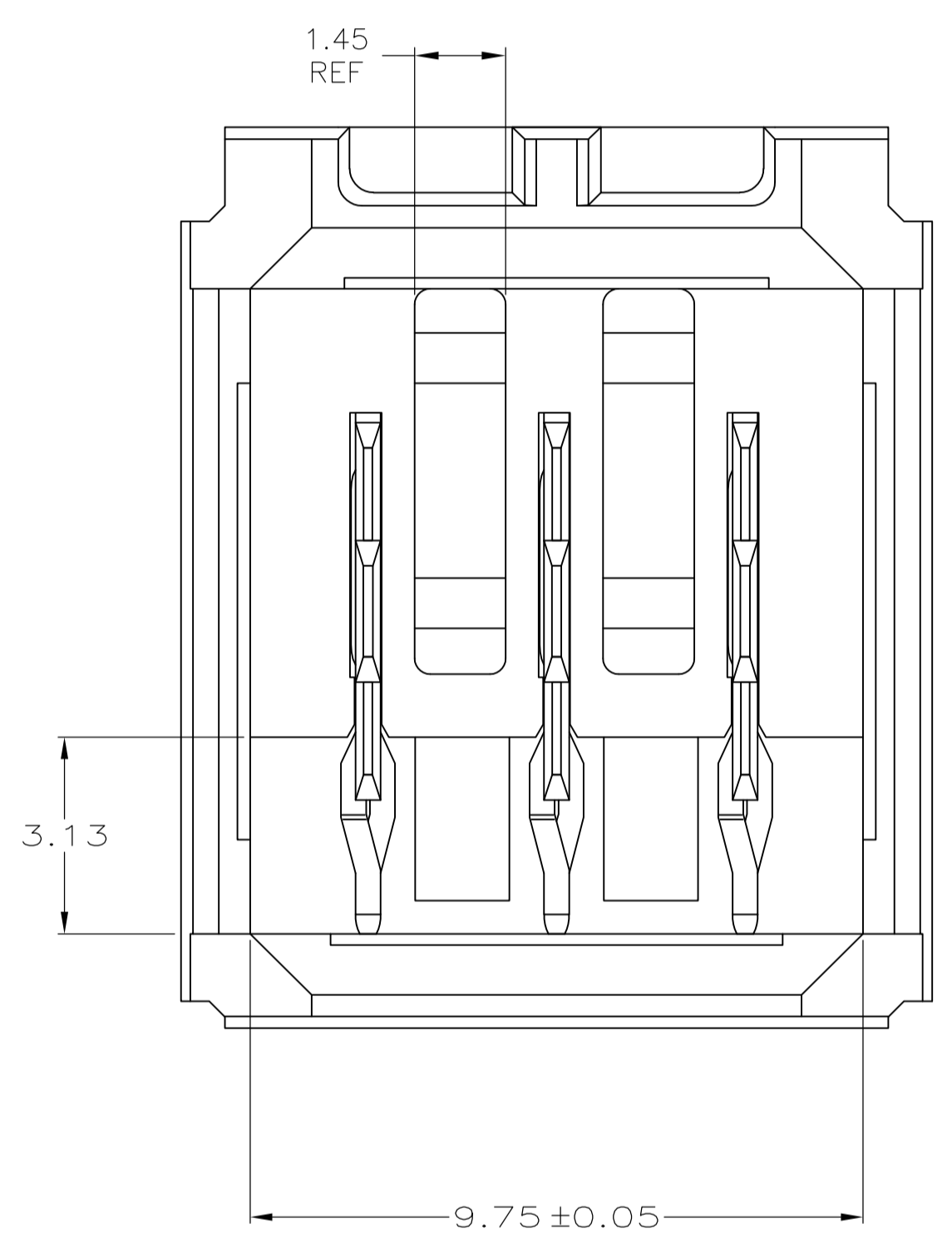


LOC		DIST		REVISIONS			
AD	00	REV	DATE	BY	CHK	APPV	
E		REVISED PER ECO-11-000045	04JAN11	DH	DY		



- 1 MATERIAL: HOUSING: POLYESTER. COLOR: GREY. UL 94V-O. CONTACT: PHOSPHOR BRONZE.
- 2 FINISH: CONTACT MATING AREA: 1.27µm MIN GOLD OR 0.08µm MIN GOLD OVER 0.76µm MIN PALLADIUM-NICKEL. ACTION PIN AREA: 0.5µm MIN TIN LEAD PLATE, ALL OVER 1.27µm MIN NICKEL UNDERPLATE.
- 3 FINISH: CONTACT LUBRICATION WITH BELLCORE APPROVED LUBRICANT. TECHNICAL REFERENCE: TR-NWT-001217 ISSUE 1, SEPT 1992.
- 4 REFERENCE APPLICATION SPEC 114-1103 FOR RECOMMENDED PLATED THRU HOLE DIAMETER AND PLATING THICKNESSES.
- 5 CURRENT RATING 10A/CONTACT PER PRODUCT SPEC 108-1651.



223977-1  
PART NUMBER

THIS DRAWING IS A CONTROLLED DOCUMENT.		DIN A-ANDERSON/UTA 08/SEP/98	Tyco Electronics Corporation Harrisburg, PA 17105-3608
DIMENSIONS: mm		CHK R-PATTERSON 08/SEP/98	
TOLERANCES UNLESS OTHERWISE SPECIFIED:		APPV R-PATTERSON 08/SEP/98	NAME
0 PLC ± -	1 PLC ± -	2 PLC ± 0.13	ASSEMBLY, RIGHT ANGLE HEADER, W/ RETENTION PEGS, UNIVERSAL POWER MODULE
3 PLC ± -	4 PLC ± -	ANGLES ± -	APPLICATION SPEC
MATERIAL		WEIGHT	SIZE CASE CODE DRAWING NO
FINISH		RESTRICTED TO	A1 00779 C=223977
CUSTOMER DRAWING		SCALE 10:1	SHEET 1 OF 1 REV E

# Mouser Electronics

Authorized Distributor

Click to View Pricing, Inventory, Delivery & Lifecycle Information:

[TE Connectivity:](#)

[223977-1](#)