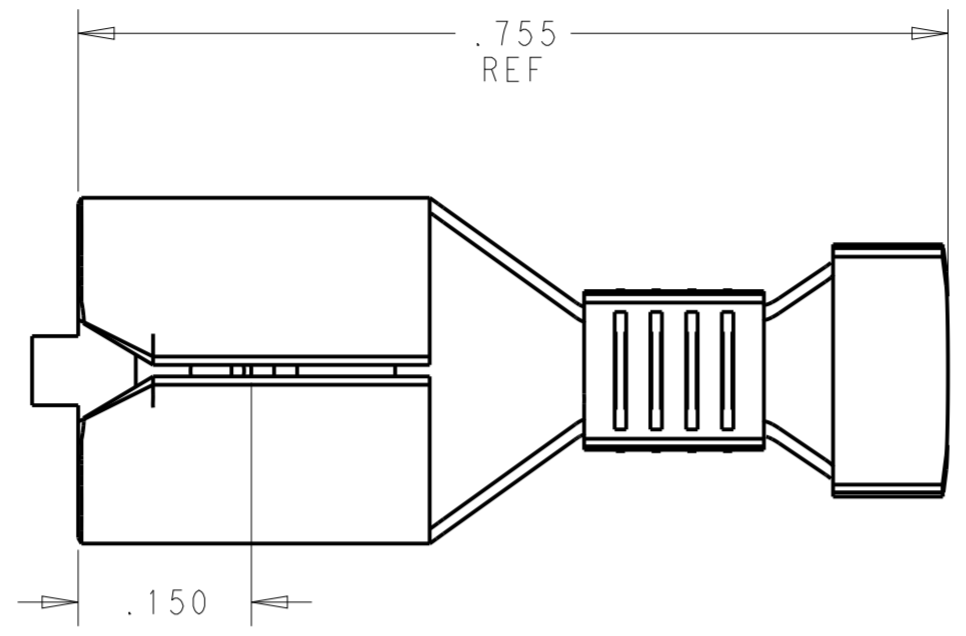
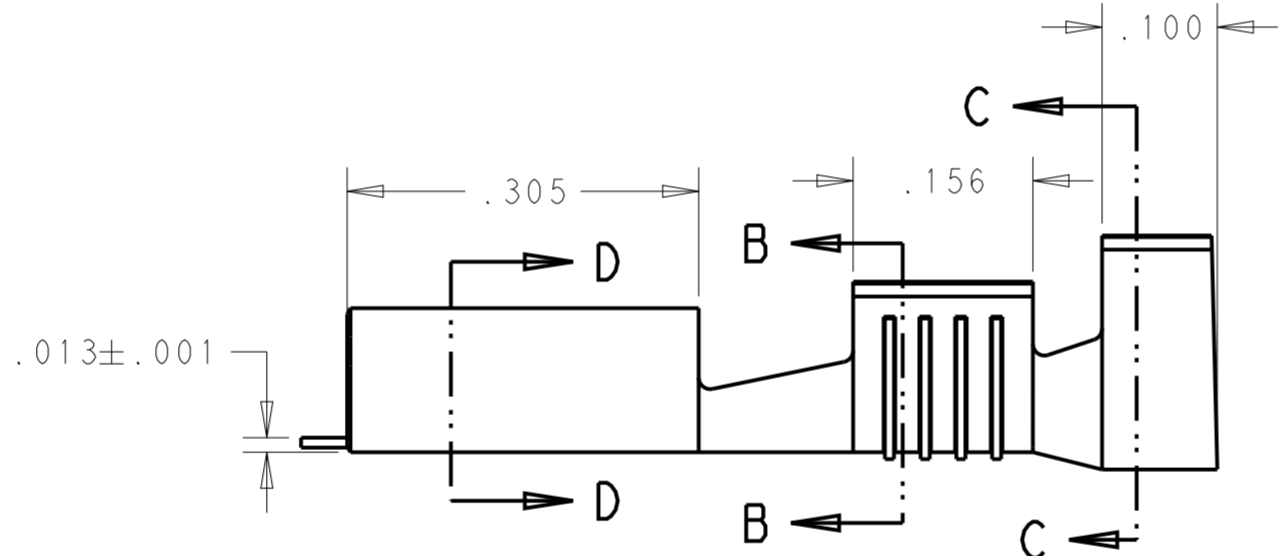
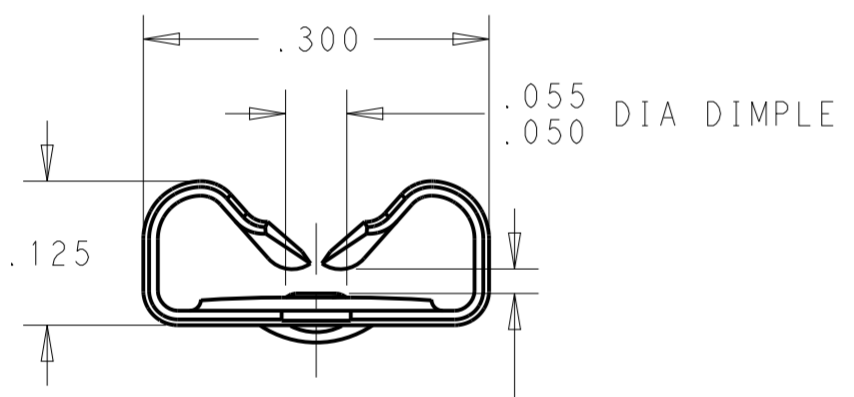


THIS DRAWING IS UNPUBLISHED. RELEASED FOR PUBLICATION 20
 © COPYRIGHT 2018 BY TE CONNECTIVITY ALL RIGHTS RESERVED.

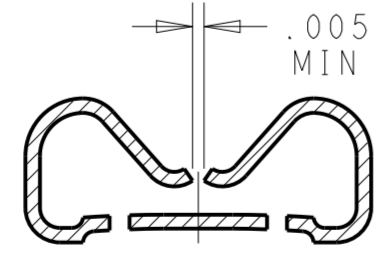
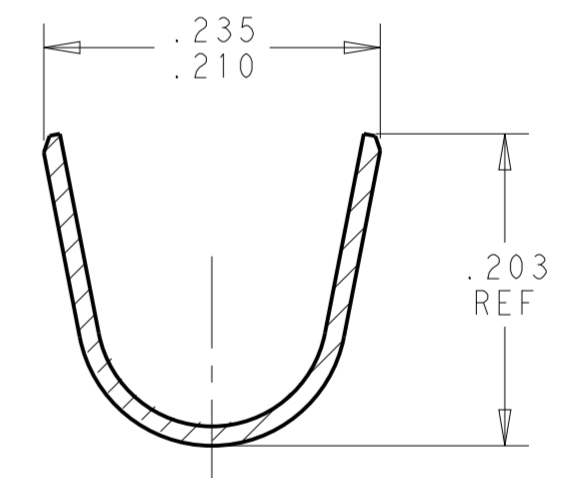
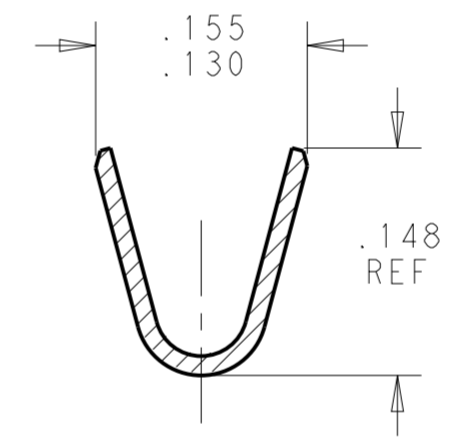
REVISIONS					
P	LTR	DESCRIPTION	DATE	DWN	APVD
A1		REVISED PER ECO-18-002523	19FEB2018	RS	DH
A2		REVISED PER ECR-20-009164	22JUL2020	MK	DH



- 1 CONTINUOUS STRIP ON REELS
- 2 WIRE SIZE IS #18-#14 AWG
- 3 INSULATION RANGE IS .120-.170 DIA
- 4 MATING TAB THK IS .033-.030
- 5 UL APPROVED FOR AWG 18-14



GAP AS REQUIRED TO MEET FORCE SPECIFICATIONS AND .028 MAX



SECTION D-D

TIN FINISH	BRASS MATERIAL	2238196-3 PART NUMBER
------------	----------------	-----------------------

THIS DRAWING IS A CONTROLLED DOCUMENT.		DWN 10 JAN 2018 BASVESH WARAD	TE Connectivity	
DIMENSIONS: INCHES		CHK 10 JAN 2018 HUMPHREY, DAVID		
TOLERANCES UNLESS OTHERWISE SPECIFIED:		APVD 10 JAN 2018 HUMPHREY, DAVID	NAME FASTON, .250 STD REC STR F-CR, AWG 18-14, TPBR	
0 PLC ±	1 PLC ±	PRODUCT SPEC -	SIZE A2	CAGE CODE 00779
2 PLC ±	3 PLC ±.010	APPLICATION SPEC -	DRAWING NO C-2238196	RESTRICTED TO -
4 PLC ±	ANGLES ±5°	WEIGHT -	SCALE 6:1	SHEET 1 OF 1
MATERIAL SEE TABLE	FINISH SEE TABLE	CUSTOMER DRAWING	REV A2	

Mouser Electronics

Authorized Distributor

Click to View Pricing, Inventory, Delivery & Lifecycle Information:

[TE Connectivity:](#)

[2238196-3](#)